



US0D1001578S

(12) **United States Design Patent** (10) **Patent No.:** **US D1,001,578 S**  
**Wu** (45) **Date of Patent:** **\*\* Oct. 17, 2023**

(54) **COCKTAIL SMOKER TOOL**  
(71) Applicant: **Shenzhen Yize Innovation Technology Co., Ltd, Shenzhen (CN)**  
(72) Inventor: **Jinhong Wu, Shenzhen (CN)**  
(\*\*) Term: **15 Years**  
(21) Appl. No.: **29/894,738**

D985,327 S \* 5/2023 Dai ..... D7/368  
D991,750 S \* 7/2023 Lin ..... D7/669  
2022/0361543 A1\* 11/2022 Middleton ..... A23B 4/052

**OTHER PUBLICATIONS**

Ogery Cocktail Smoker Kit with Torch. By Ogery Direct. Dated Jul. 8, 2023. Found online [Aug. 1, 2023]. <https://www.amazon.com/OGERY-Cocktail-Whiskey-Fashioned-Bourbon/dp/B0BYNB74Q7> (Year: 2023).\*

\* cited by examiner

*Primary Examiner* — Mark A Goodwin  
*Assistant Examiner* — William B Melliar  
(74) *Attorney, Agent, or Firm* — Daniel M. Cohn;  
Howard M. Cohn

(30) **Foreign Application Priority Data**  
Mar. 23, 2023 (CN) ..... 202330145009.1  
(51) **LOC (14) Cl.** ..... **07-06**  
(52) **U.S. Cl.**  
USPC ..... **D7/409**  
(58) **Field of Classification Search**  
USPC .... D27/72-96; D7/332, 362, 368, 407, 409,  
D7/412, 415, 669; D23/314  
CPC ..... A23B 4/052; A23B 4/0523; A23B 4/044;  
A47J 37/0786; A23L 5/17; A23L 27/27  
See application file for complete search history.

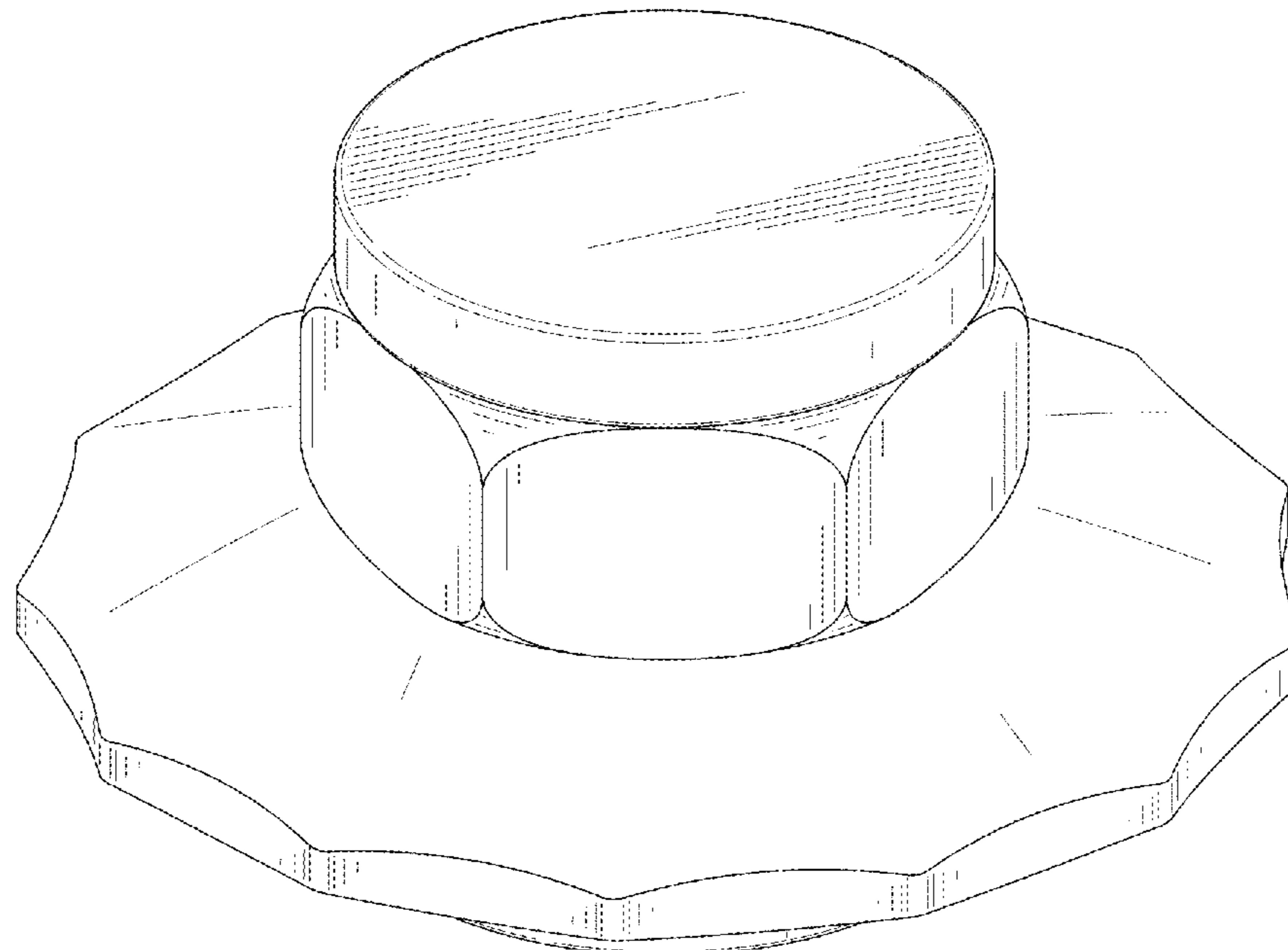
(57) **CLAIM**  
The ornamental design for a cocktail smoker tool, as shown and described.

**DESCRIPTION**

FIG. 1 is a perspective view of a cocktail smoker tool showing my new design;  
FIG. 2 is another perspective view thereof;  
FIG. 3 is a front elevational view thereof;  
FIG. 4 is a rear elevational view thereof;  
FIG. 5 is a left side elevational view thereof;  
FIG. 6 is a right side elevational view thereof;  
FIG. 7 is a top plan view thereof;  
FIG. 8 is a bottom plan view thereof; and,  
FIG. 9 is an exploded perspective view of the cocktail smoker tool.  
The dash-dash broken lines in the drawings depict portions of the cocktail smoker tool that form no part of the claimed design.

(56) **References Cited**  
**U.S. PATENT DOCUMENTS**  
D390,935 S \* 2/1998 Bosje ..... D23/314  
D877,411 S \* 3/2020 Lanier ..... D27/172  
D944,594 S \* 3/2022 Sumner ..... D7/409  
D945,815 S \* 3/2022 Oliver ..... D7/368  
D968,892 S \* 11/2022 Li ..... D7/409  
D973,434 S \* 12/2022 Guo ..... D7/409  
D973,435 S \* 12/2022 Guo ..... D7/409  
D976,646 S \* 1/2023 Sumner ..... D7/409  
D979,836 S \* 2/2023 Yan ..... D27/172  
D984,737 S \* 4/2023 Passantino ..... D27/196

**1 Claim, 9 Drawing Sheets**



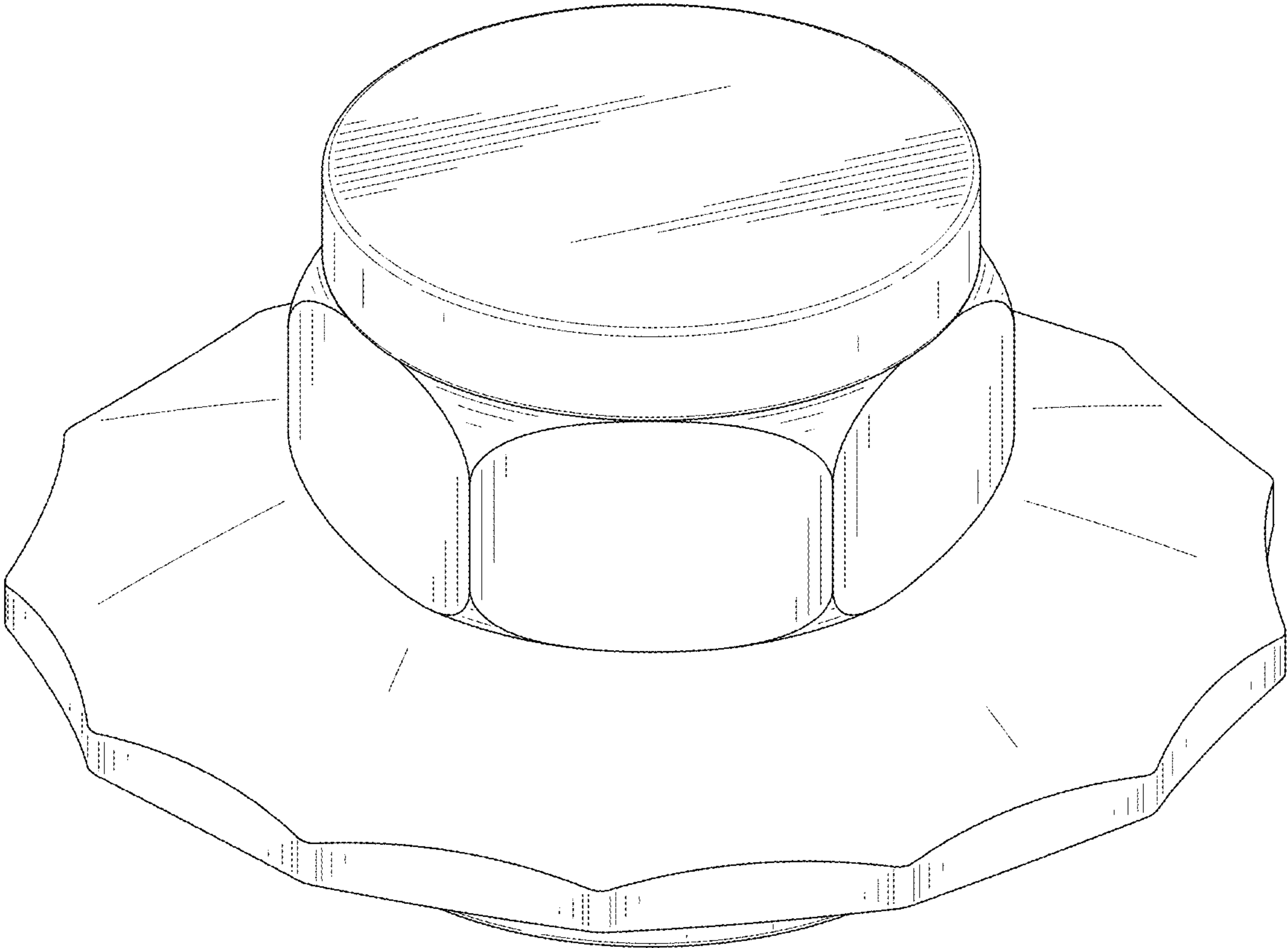


FIG. 1

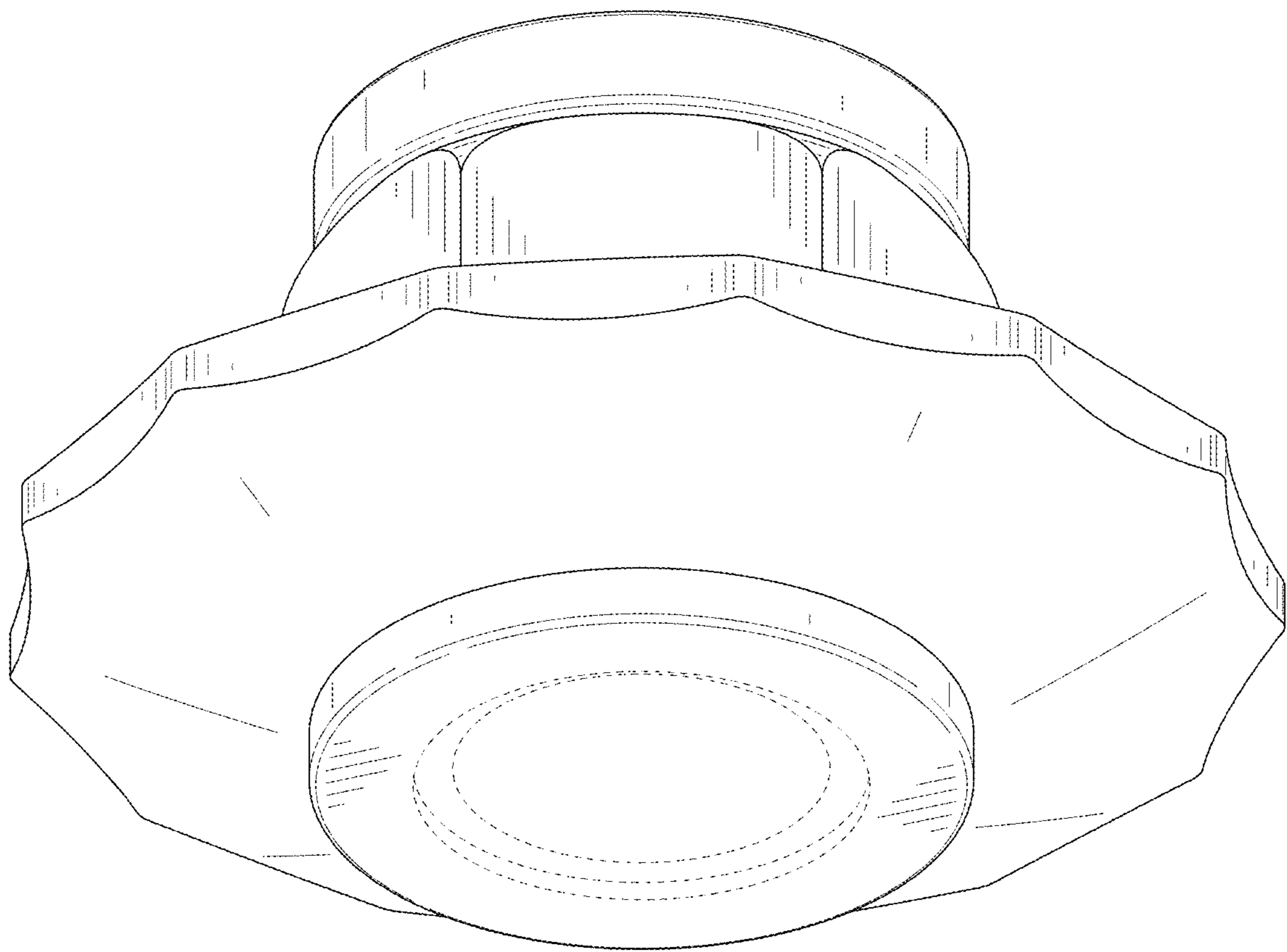


FIG. 2

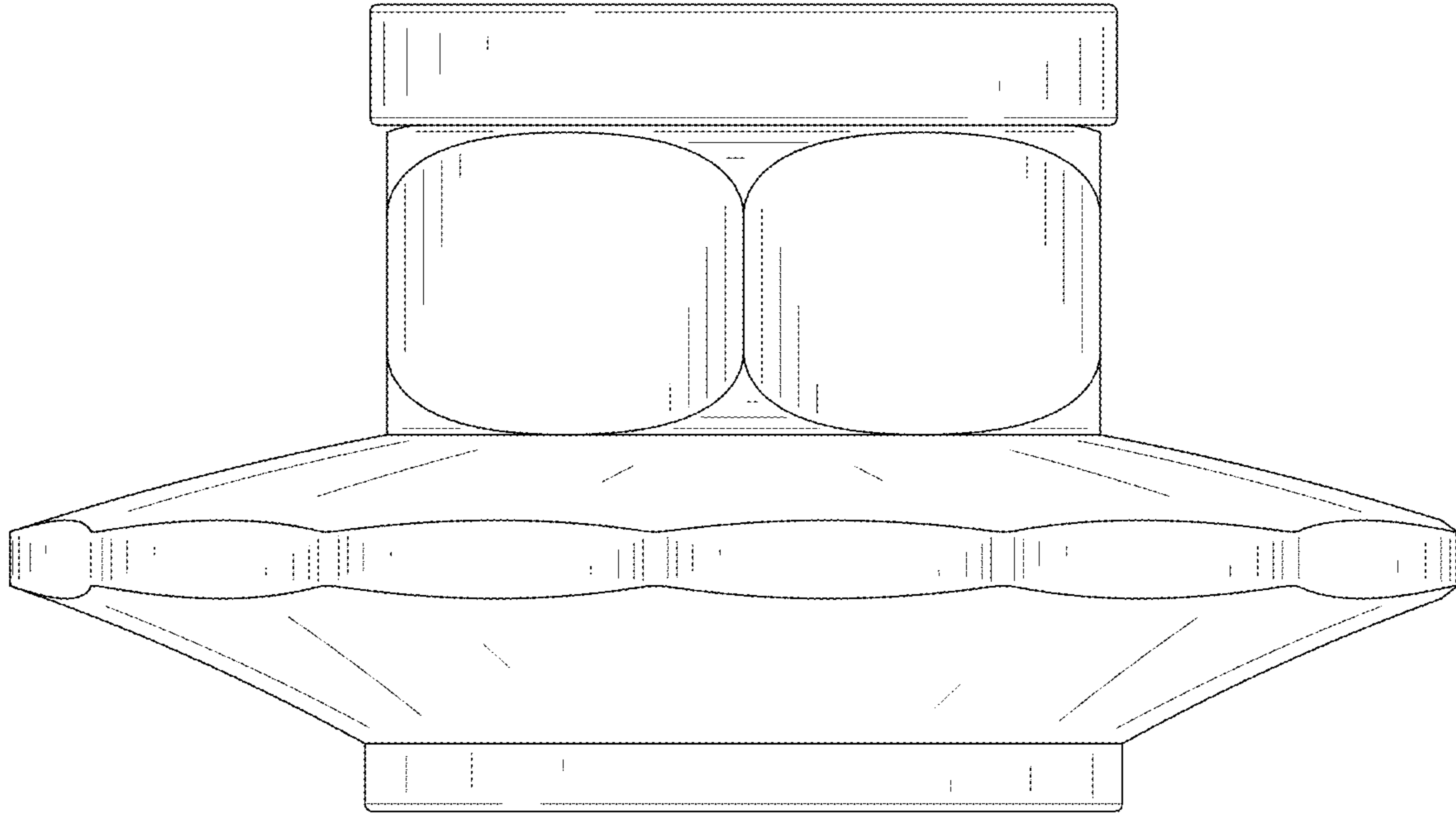


FIG. 3

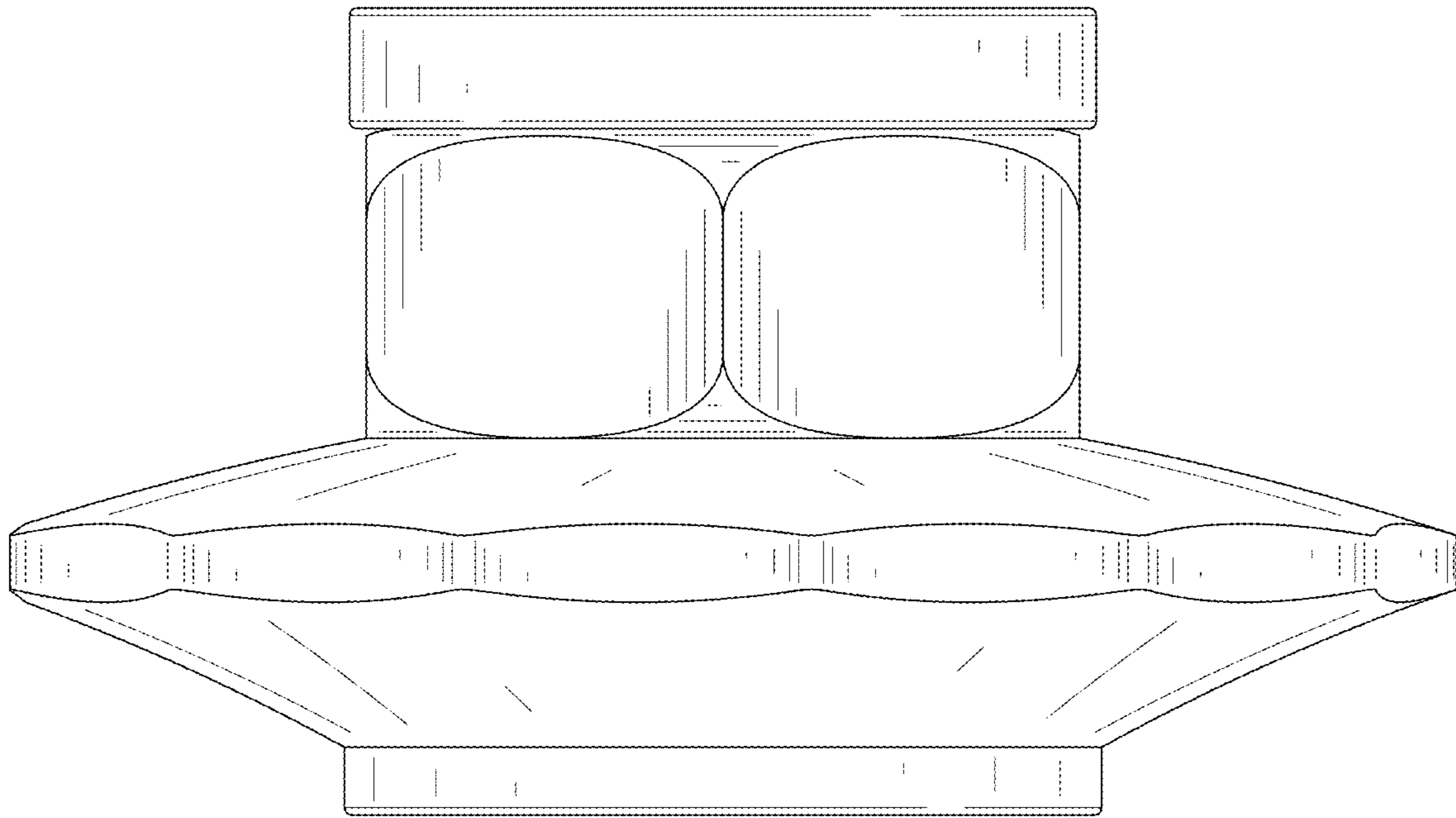


FIG. 4

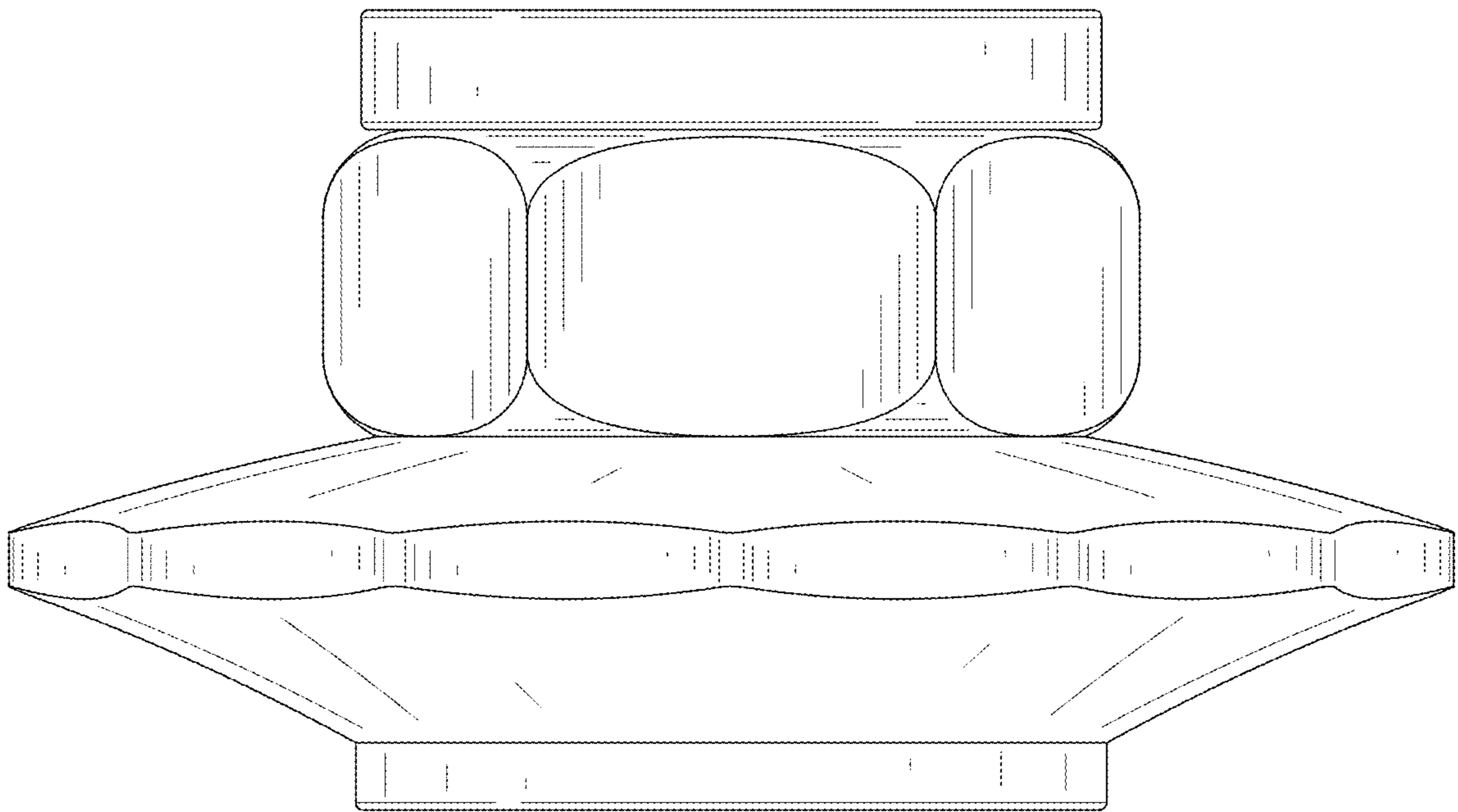


FIG. 5

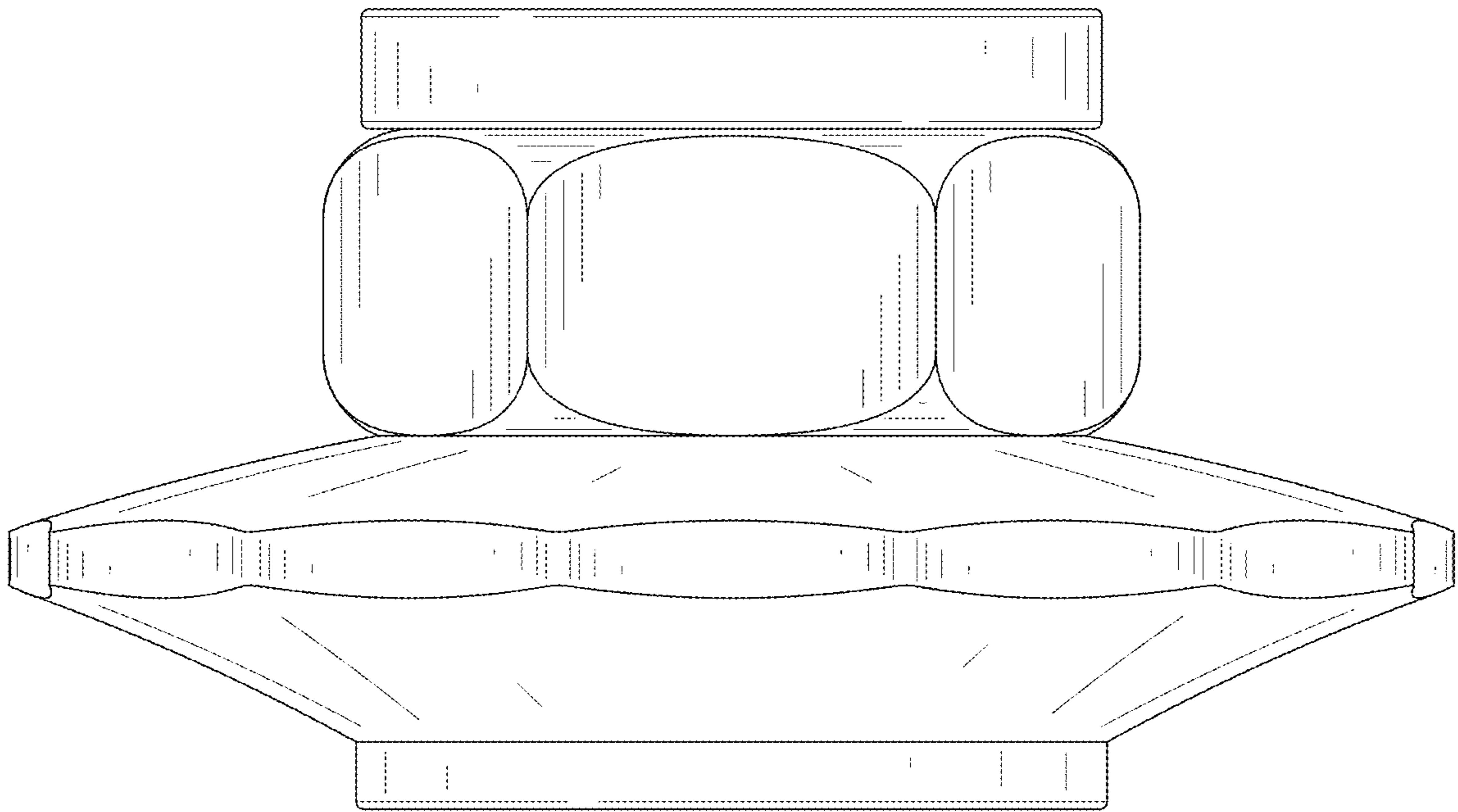


FIG. 6

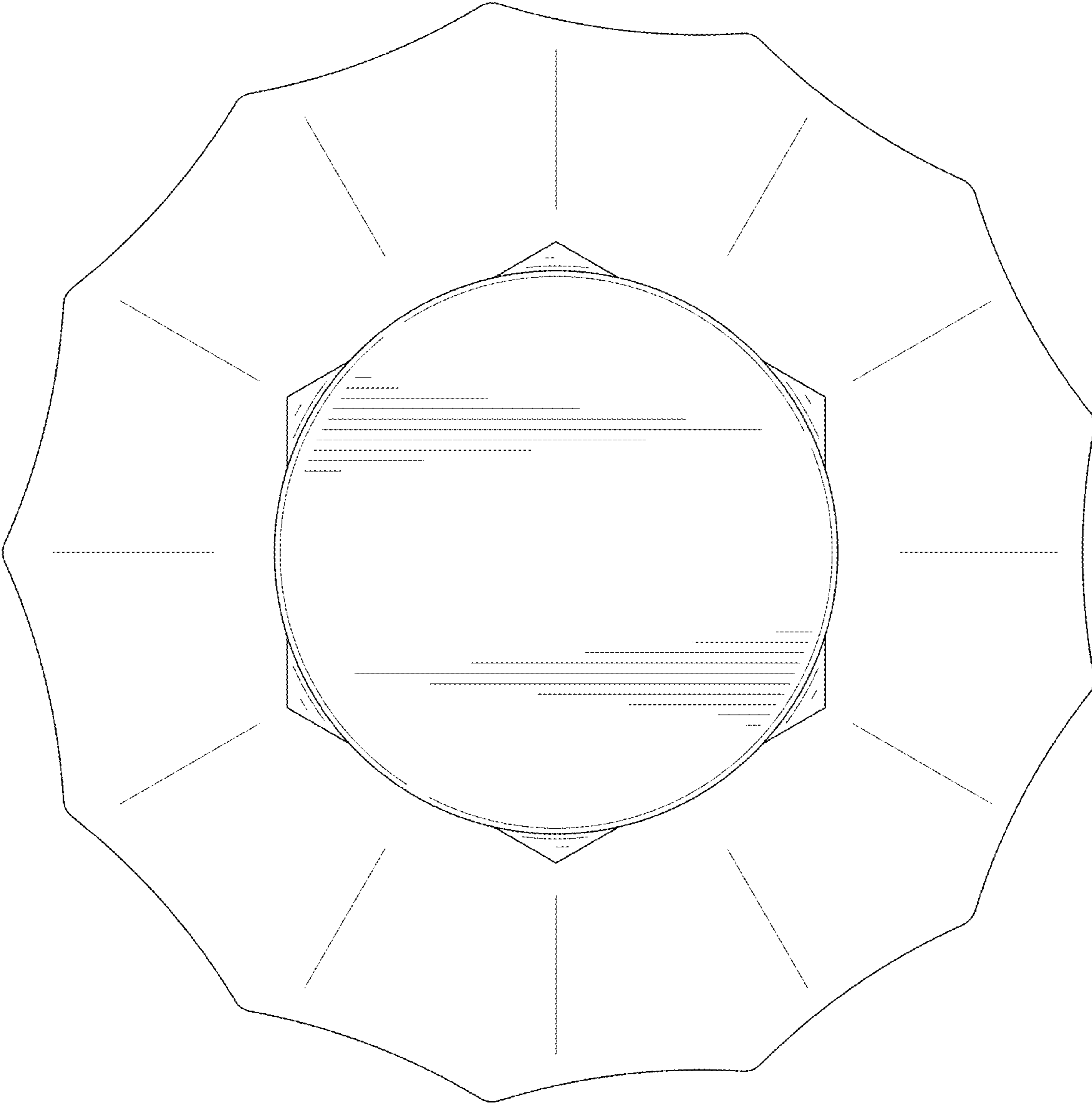


FIG. 7



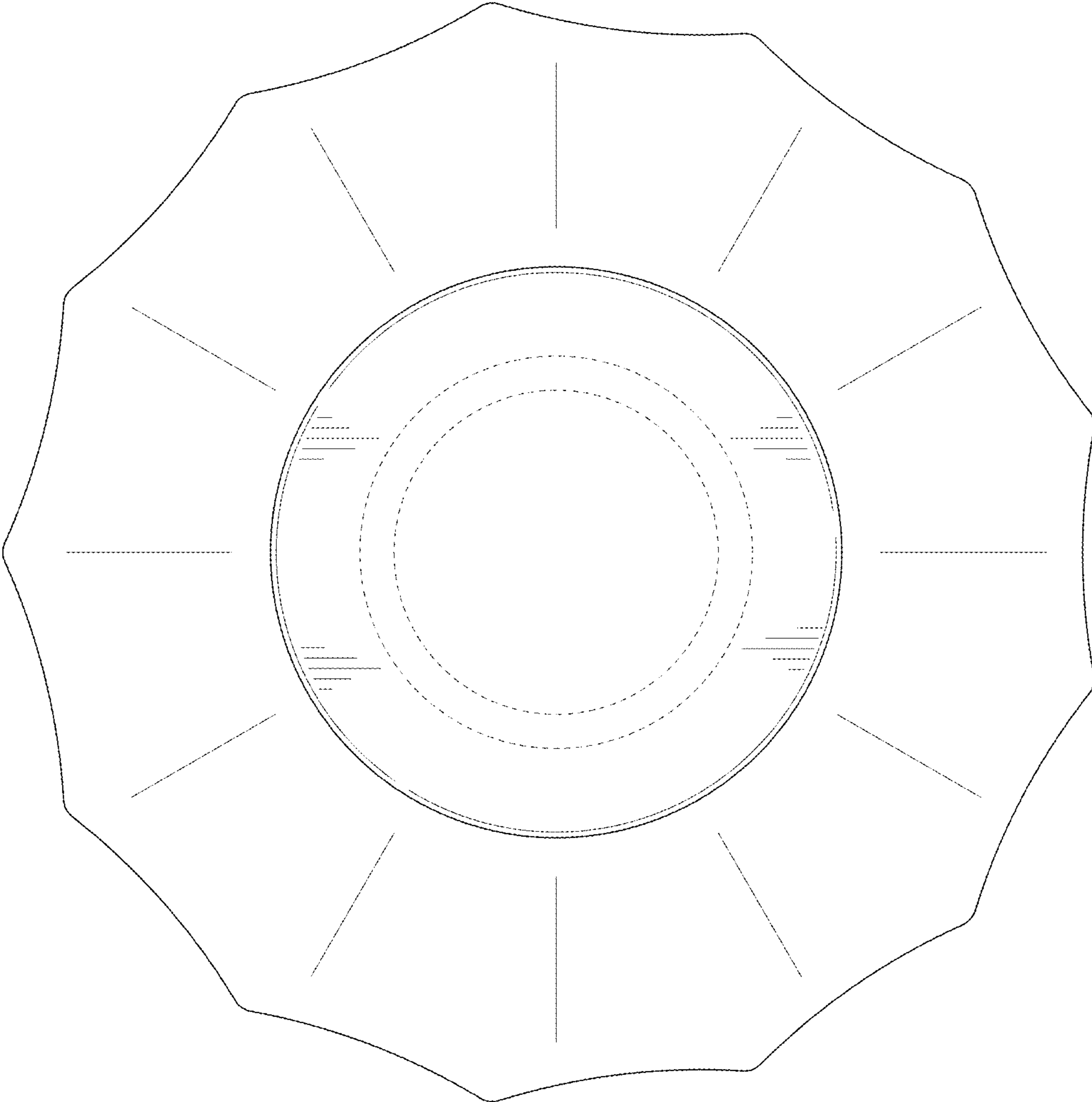


FIG. 8

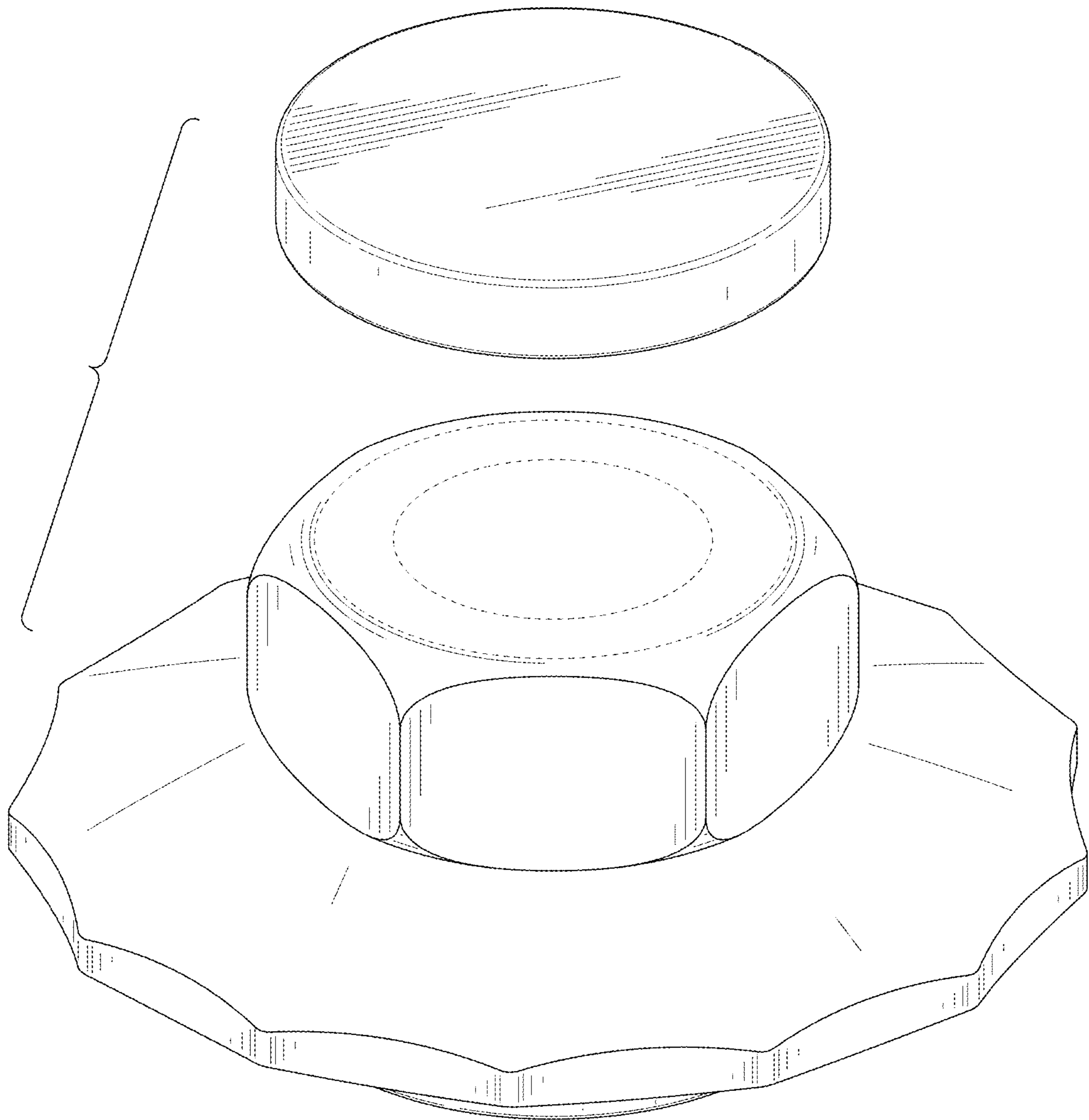


FIG. 9