



US0D1001527S

(12) **United States Design Patent**
Xian

(10) **Patent No.:** **US D1,001,527 S**

(45) **Date of Patent:** **** Oct. 17, 2023**

(54) **OFFICE CHAIR**

(71) Applicant: **Foshan Yongliwei Precision Technology Co., Ltd., Foshan (CN)**

(72) Inventor: **Tingting Xian, Foshan (CN)**

(73) Assignee: **Foshan Yongliwei Precision Technology Co., Ltd., Foshan (CN)**

(**) Term: **15 Years**

(21) Appl. No.: **29/882,436**

(22) Filed: **Jan. 13, 2023**

(51) **LOC (14) Cl.** **06-01**

(52) **U.S. Cl.**
USPC **D6/366**

(58) **Field of Classification Search**
USPC D6/364–371, 375, 379, 380, 716.4;
D21/521
CPC A47C 3/12; A47C 3/18; A47C 3/20; A47C
4/02; A47C 4/06; A47C 4/18; A47C 5/02;
A47C 5/06
See application file for complete search history.

(56) **References Cited**

U.S. PATENT DOCUMENTS

| | | | | |
|--------------|---------|-----------|-------|--------|
| D476,821 S * | 7/2003 | Koepke | | D6/366 |
| D479,416 S * | 9/2003 | Raferly | | D6/366 |
| D485,097 S * | 1/2004 | Raferly | | D6/366 |
| D488,314 S * | 4/2004 | Chou | | D6/366 |
| D527,920 S * | 9/2006 | Giugiaro | | D6/366 |
| D528,811 S * | 9/2006 | Giugiaro | | D6/366 |
| D541,063 S * | 4/2007 | Su | | D6/366 |
| D557,028 S * | 12/2007 | Su | | D6/366 |
| D558,997 S * | 1/2008 | Igarashi | | D6/366 |
| D566,410 S * | 4/2008 | Neil | | D6/366 |
| D607,653 S * | 1/2010 | Wilkinson | | D6/366 |
| D640,477 S * | 6/2011 | Neil | | D6/366 |
| D640,478 S * | 6/2011 | Neil | | D6/366 |
| D654,711 S * | 2/2012 | Fujita | | D6/366 |
| D666,016 S * | 8/2012 | Citterio | | D6/366 |

| | | | | |
|--------------|---------|----------|-------|--------|
| D667,231 S * | 9/2012 | Citterio | | D6/366 |
| D671,330 S * | 11/2012 | Izawa | | D6/366 |
| D683,150 S * | 5/2013 | Smith | | D6/366 |
| D687,641 S * | 8/2013 | Barrell | | D6/366 |
| D688,056 S * | 8/2013 | Phillips | | D6/366 |
| D688,483 S * | 8/2013 | Aratani | | D6/366 |
| D694,538 S * | 12/2013 | Smith | | D6/366 |
| D701,068 S * | 3/2014 | Usumoto | | D6/366 |

(Continued)

FOREIGN PATENT DOCUMENTS

CN 307824535 * 2/2023

OTHER PUBLICATIONS

Work Smart Desk Chair, Amazon Product Page. Date First Available: Oct. 2, 2013, Date Accessed: Apr. 17, 2023. Available on the Internet URL: <https://www.amazon.com/Office-Star-Breathable-Leather-Managers/dp/B00FL3T1WE/> (Year: 2013).*

Primary Examiner — S. Bryan Reinholdt, Jr.

Assistant Examiner — Julia S Folkart

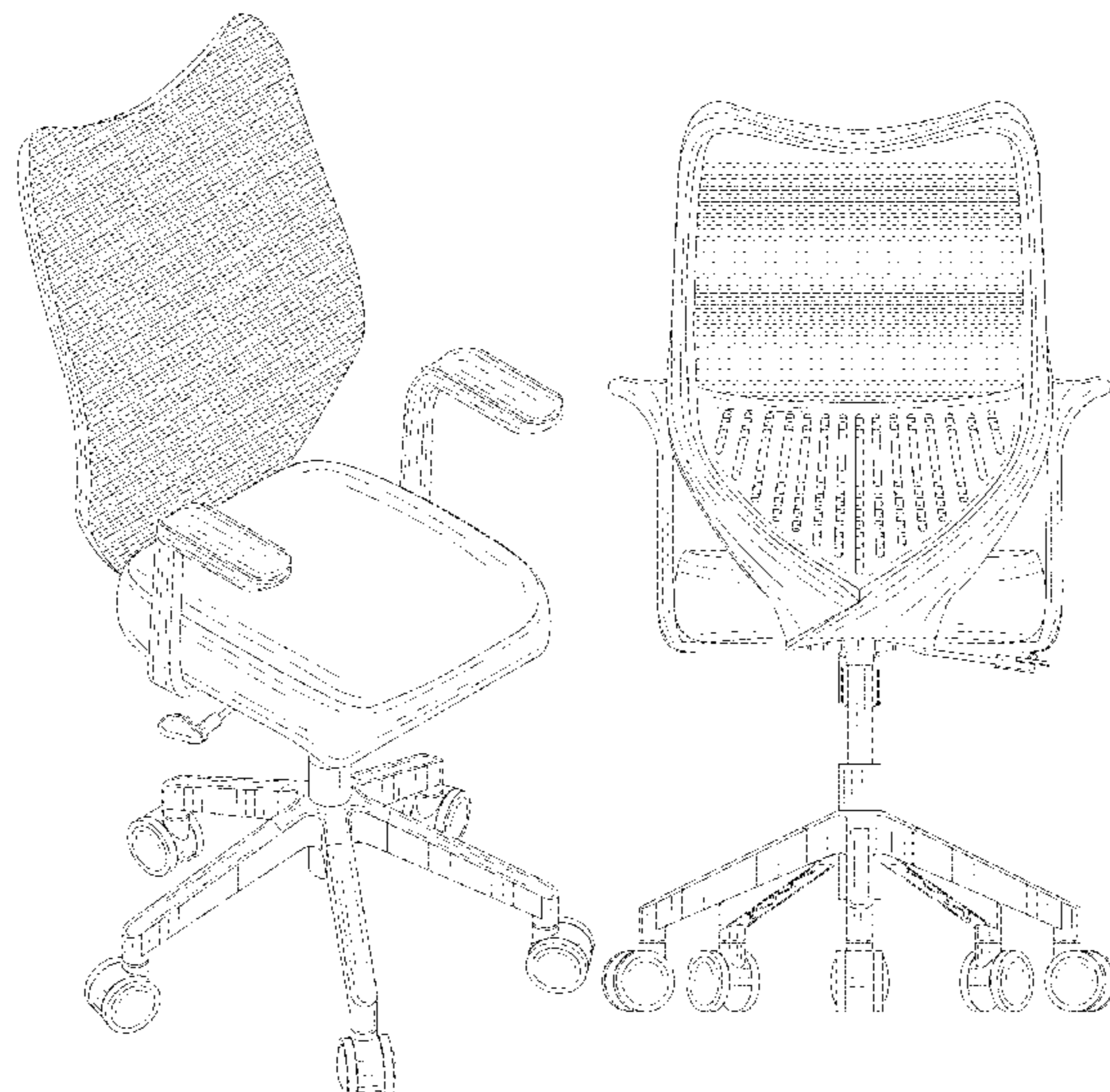
(57) **CLAIM**

The ornamental design for an office chair, as shown and described.

DESCRIPTION

FIG. 1 is a top perspective view of an office chair, showing my new design;
FIG. 2 is a bottom perspective view thereof;
FIG. 3 is a front view thereof;
FIG. 4 is a rear view thereof;
FIG. 5 is a left side view thereof;
FIG. 6 is a right side view thereof;
FIG. 7 is a top view thereof; and,
FIG. 8 is a bottom view thereof.
The broken lines in the drawings depict portions of the office chair that form no part of the claimed design.

1 Claim, 8 Drawing Sheets



(56)

References Cited

U.S. PATENT DOCUMENTS

| | | | | | | |
|--------------|----|---|---------|----------|-------|-----------|
| D704,944 | S | * | 5/2014 | Koepke | | D6/366 |
| D707,976 | S | * | 7/2014 | Smith | | D6/366 |
| D766,605 | S | * | 9/2016 | Li | | D6/366 |
| D775,480 | S | * | 1/2017 | Wagner | | D6/366 |
| D792,120 | S | * | 7/2017 | Webb | | D6/366 |
| D799,843 | S | * | 10/2017 | Chen | | D6/366 |
| D878,790 | S | * | 3/2020 | Wang | | D6/366 |
| D883,690 | S | * | 5/2020 | Dassen | | D6/366 |
| D903,354 | S | * | 12/2020 | Igarashi | | D6/366 |
| D935,822 | S | * | 11/2021 | Wang | | D6/716 |
| D971,623 | S | * | 12/2022 | Yang | | D6/366 |
| D971,624 | S | | 12/2022 | Liu | | |
| 2022/0346567 | A1 | * | 11/2022 | Hepler | | A61G 5/10 |

* cited by examiner

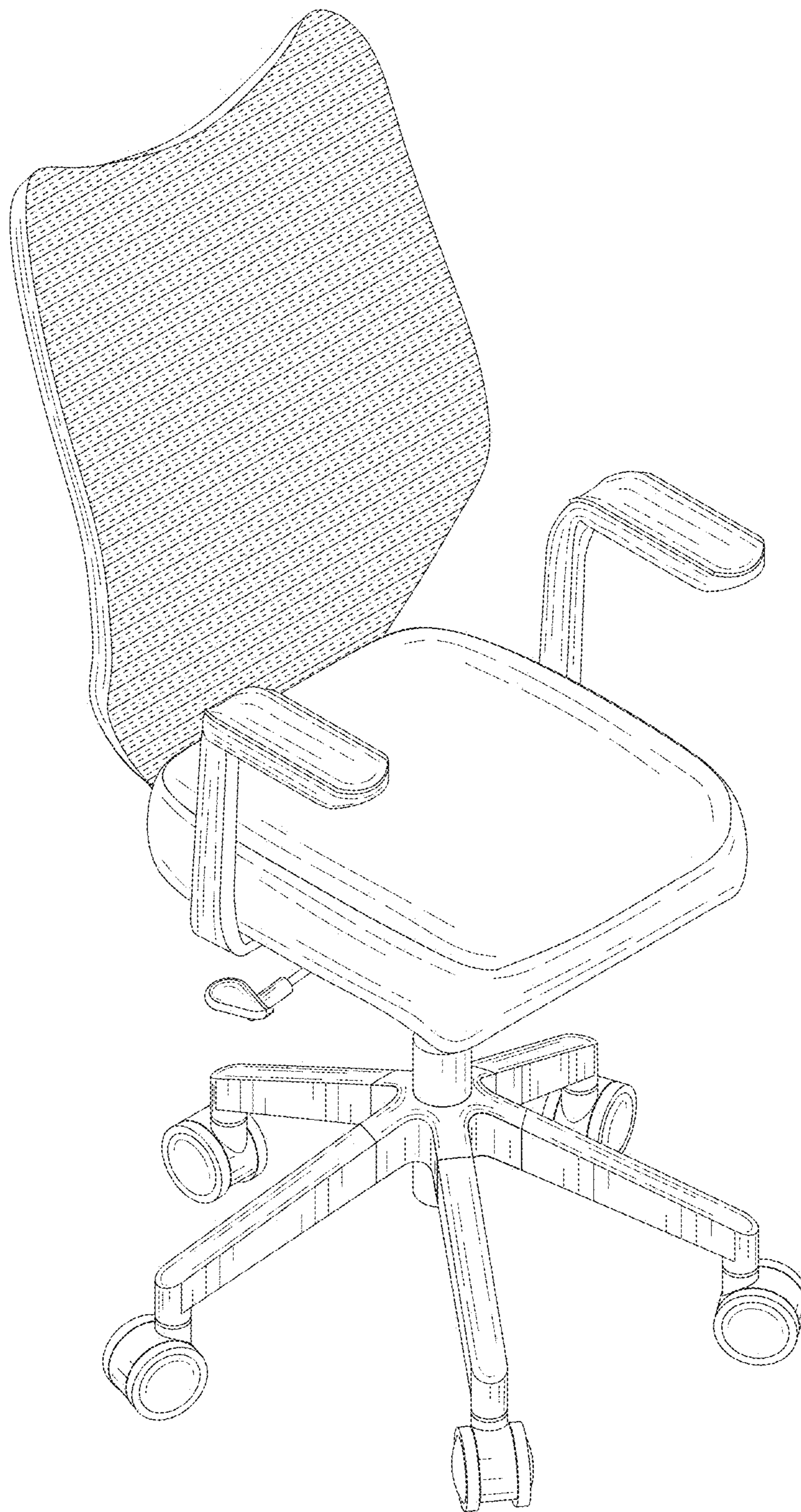


FIG. 1

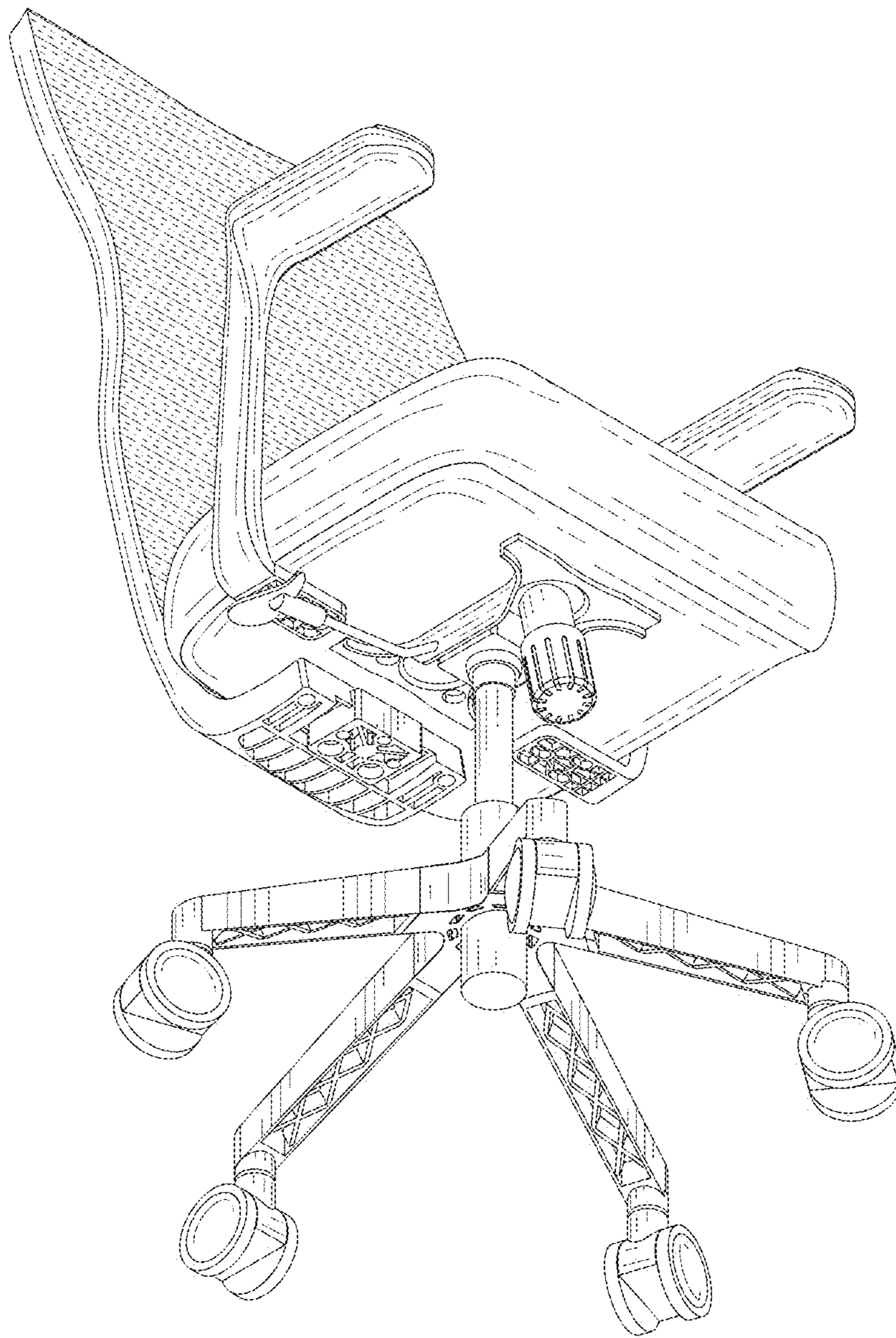


FIG. 2

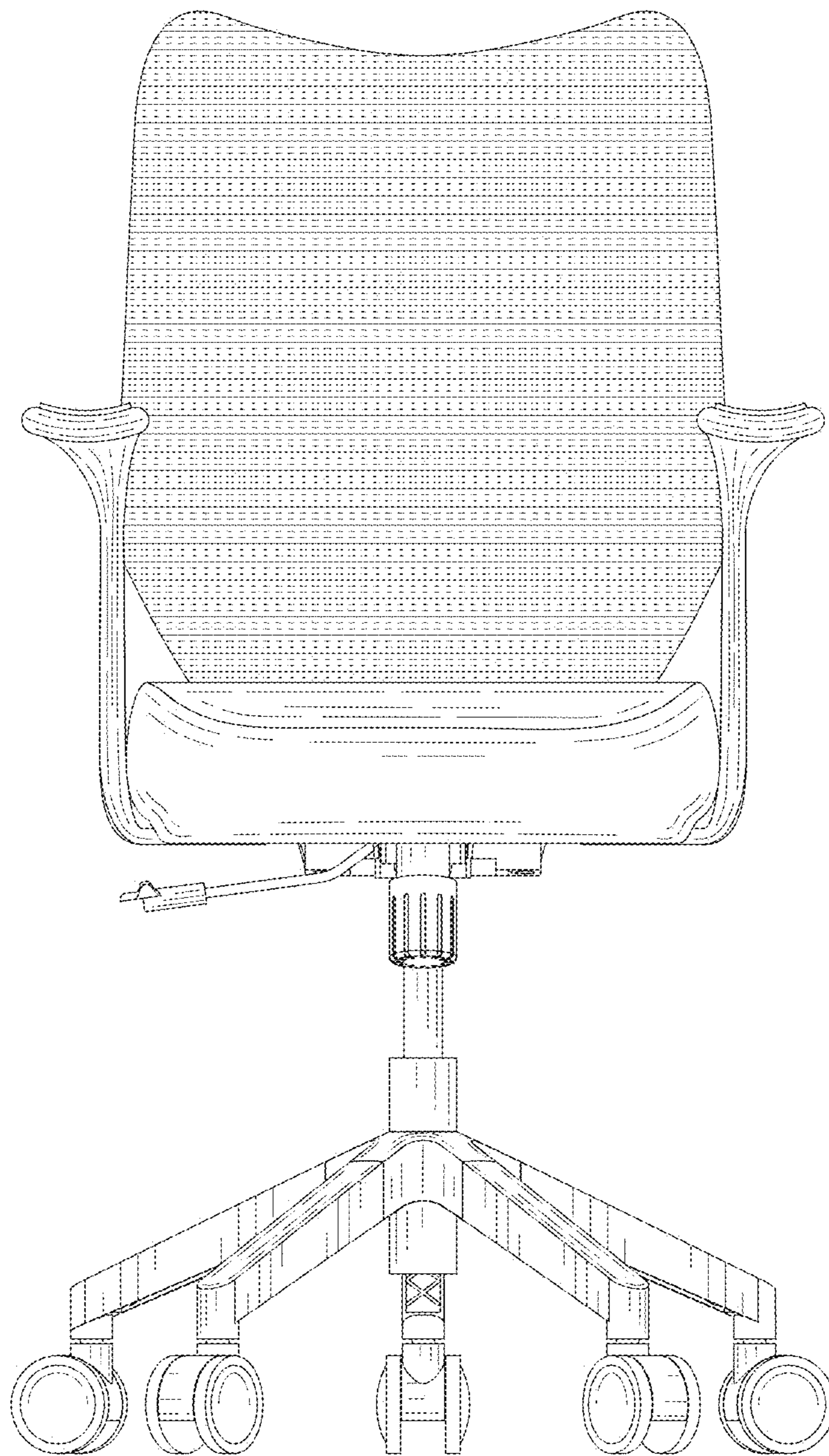


FIG. 3

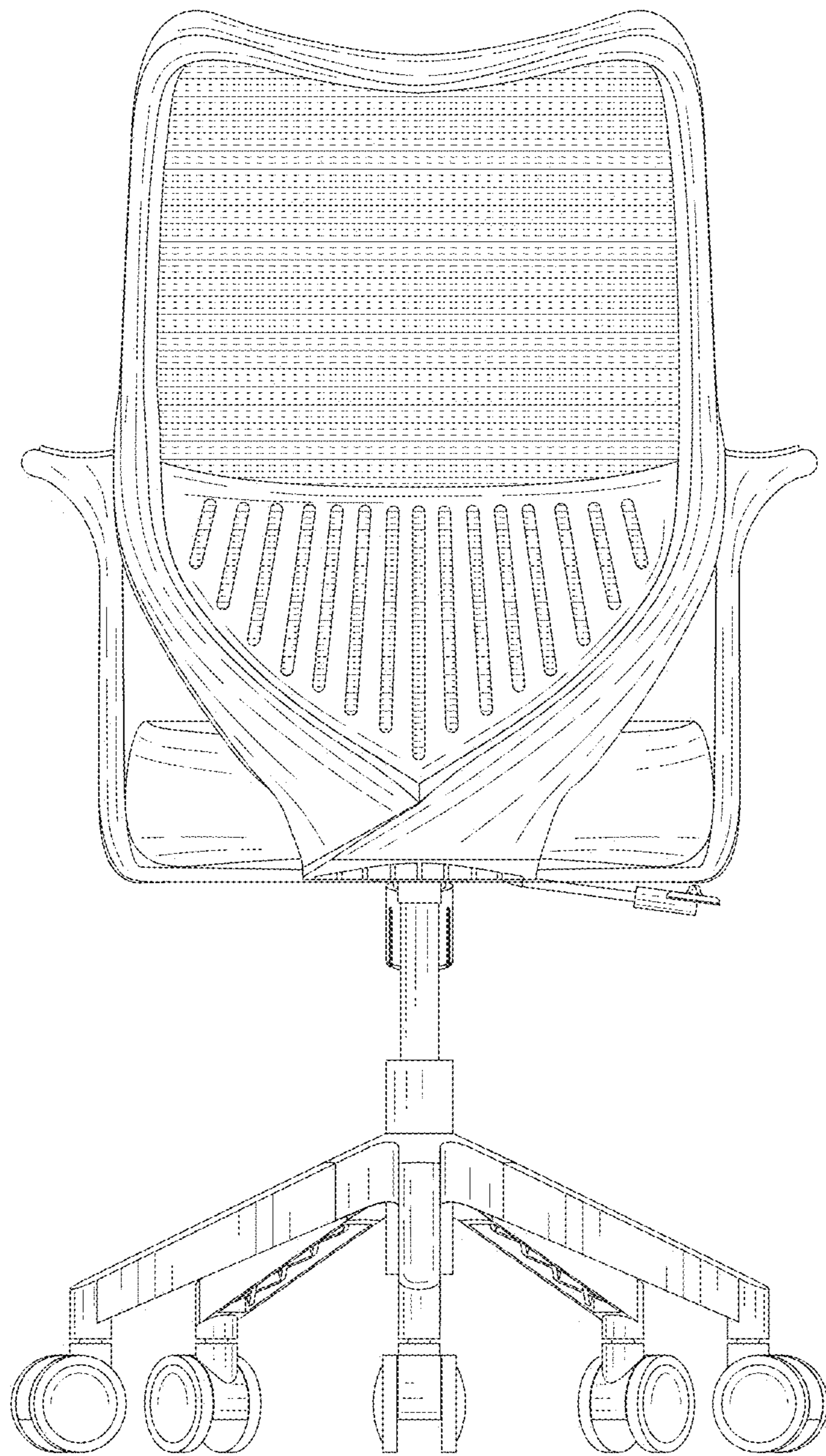


FIG. 4

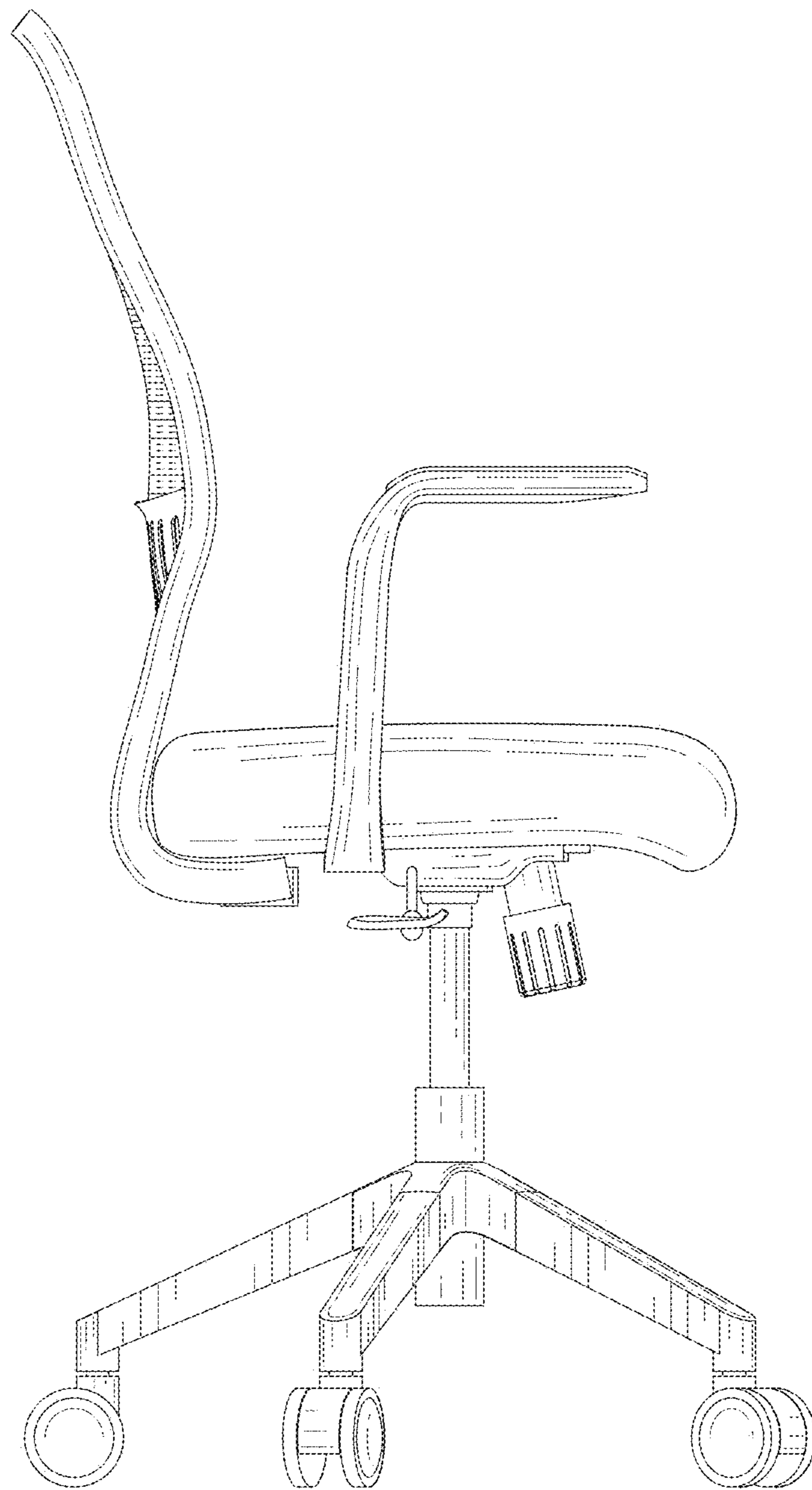


FIG. 5

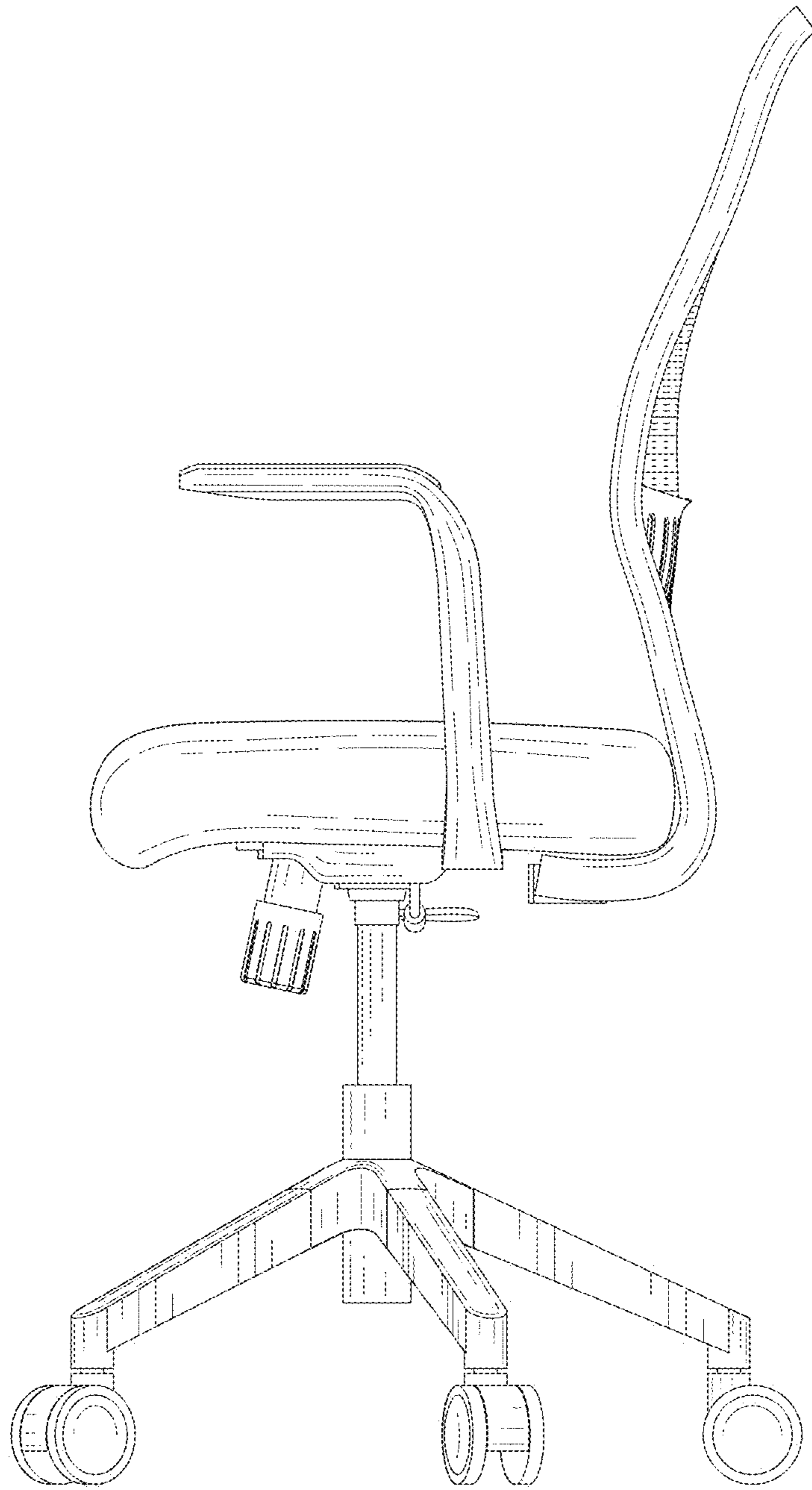


FIG. 6

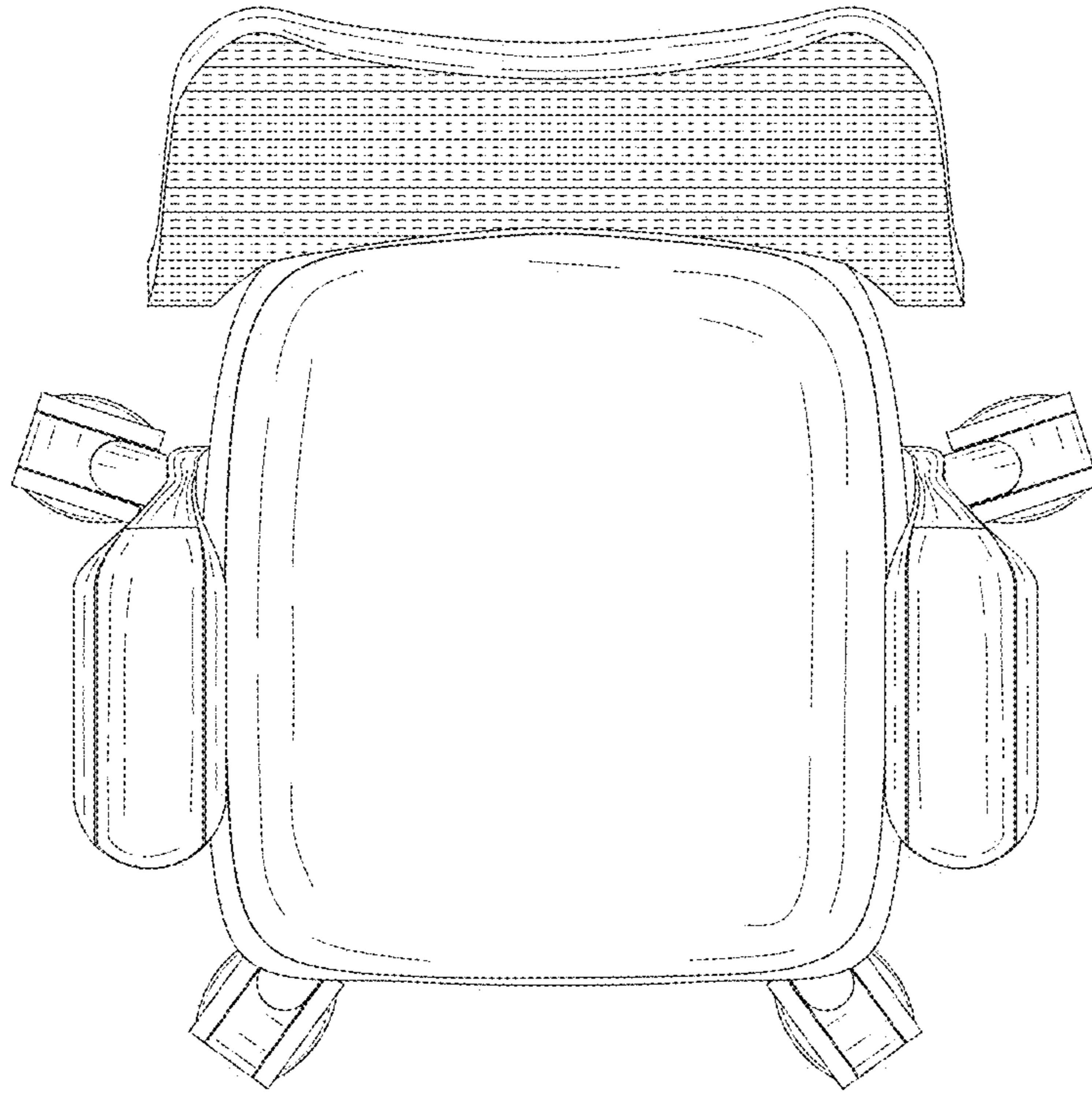


FIG. 7

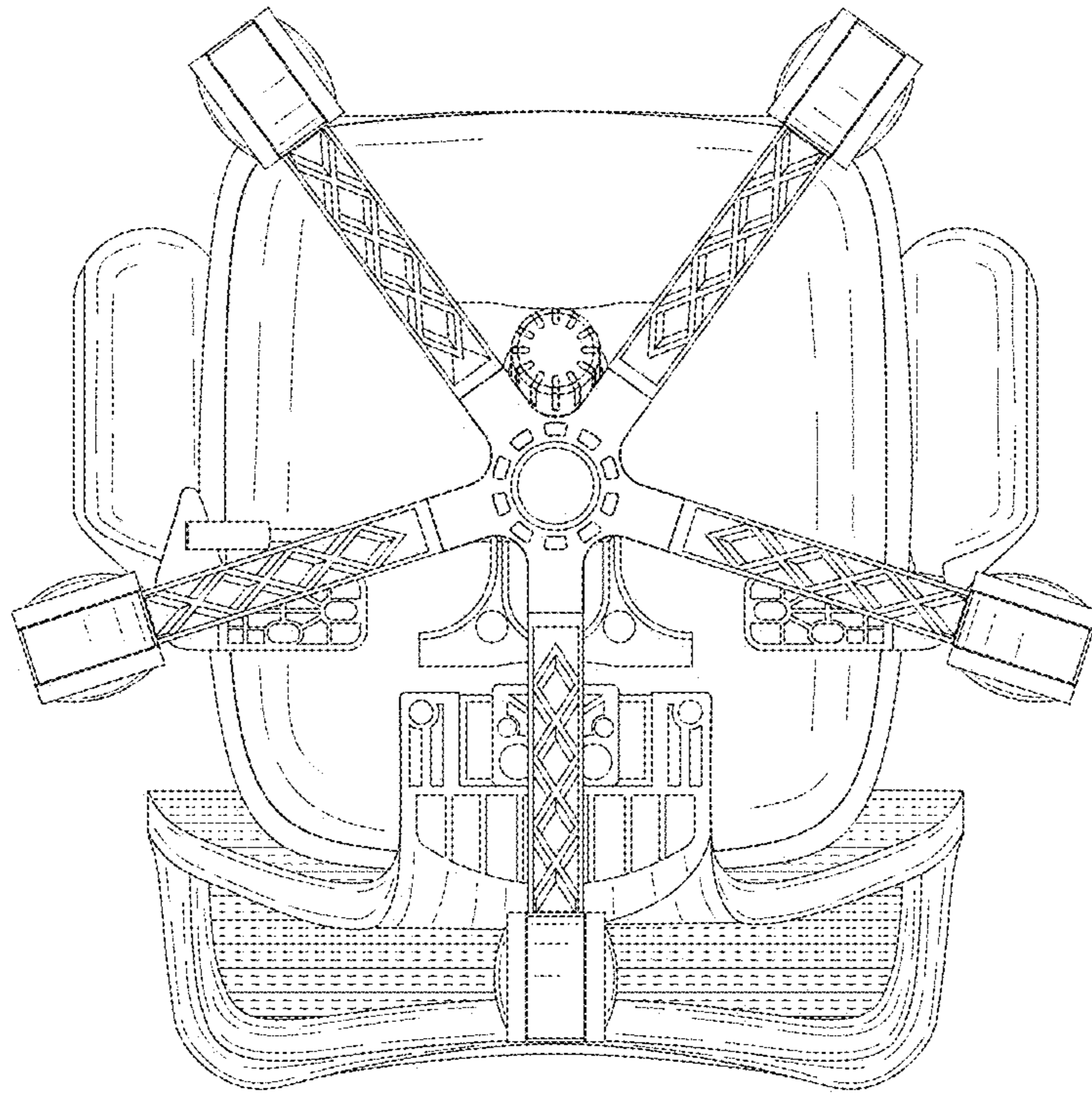


FIG. 8