



US0D1001403S

(12) **United States Design Patent** (10) **Patent No.:** **US D1,001,403 S**  
**Chen** (45) **Date of Patent:** **\*\* Oct. 10, 2023**

(54) **VACUUM CLEANER**  
(71) Applicant: **Yadan Chen, Yuyao (CN)**  
(72) Inventor: **Yadan Chen, Yuyao (CN)**

2020/0069131 A1\* 3/2020 Jung ..... A47L 9/244  
2021/0361134 A1\* 11/2021 Percy-Raine ..... A47L 9/16  
2022/0160201 A1\* 5/2022 Cho ..... A47L 9/10  
2022/0287525 A1\* 9/2022 Tang ..... A47L 9/1633  
2023/0132128 A1\* 4/2023 Ouzazna ..... A47L 5/24  
15/344

(\*\*) Term: **15 Years**

FOREIGN PATENT DOCUMENTS

(21) Appl. No.: **29/889,735**

GB 6275988 \* 4/2023

(22) Filed: **Apr. 17, 2023**

\* cited by examiner

(51) **LOC (14) Cl.** ..... **15-05**

*Primary Examiner* — Kimberly Barnes

(52) **U.S. Cl.**  
USPC ..... **D32/18**

(74) *Attorney, Agent, or Firm* — Jose Cherson Weissbrot

(58) **Field of Classification Search**  
USPC ..... D32/15–25, 31–34  
CPC ..... A47L 5/24; A47L 5/26; A47L 9/16; A47L  
7/0076; A47L 7/008  
See application file for complete search history.

(57) **CLAIM**

The ornamental design for a vacuum cleaner, as shown and described.

**DESCRIPTION**

(56) **References Cited**

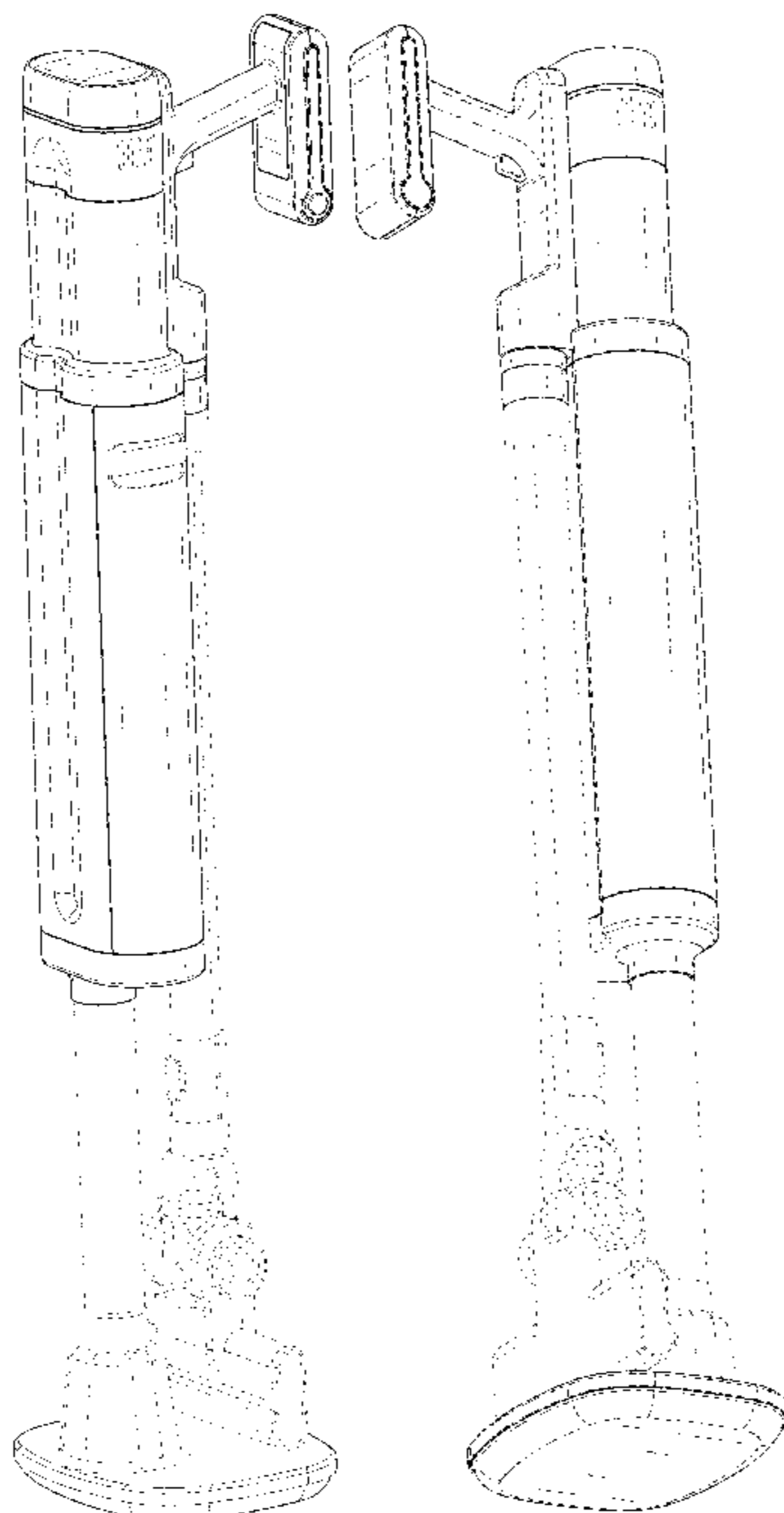
U.S. PATENT DOCUMENTS

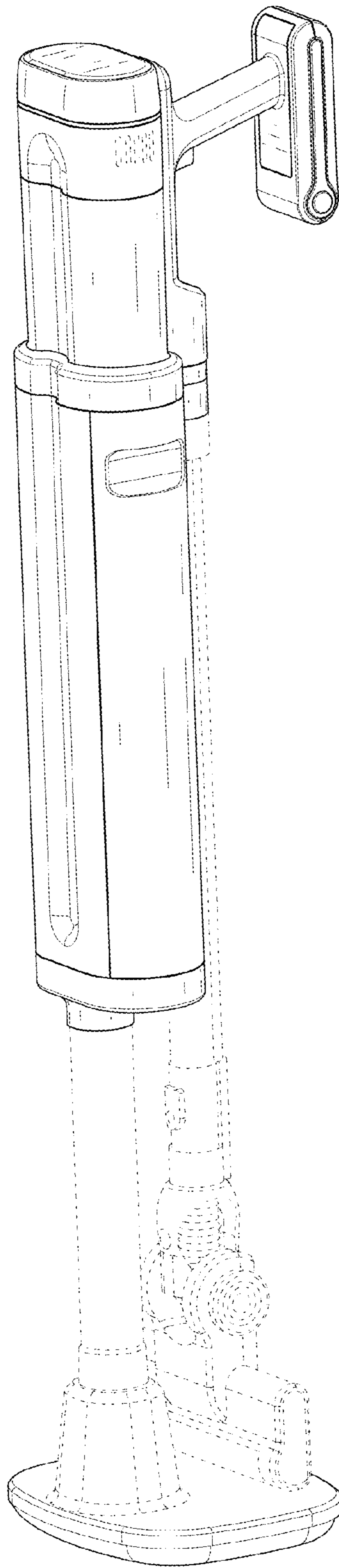
D668,010 S	9/2012	Stickney	
D668,823 S	10/2012	Stickney	
D798,009 S	9/2017	Salagnac	
D824,616 S	7/2018	Ward	
D838,067 S	1/2019	Irfan	
D848,688 S	5/2019	Gammack	
D905,360 S	12/2020	Ma	
D907,315 S *	1/2021	Tokoi	D32/22
D923,979 S *	7/2021	Gale	D6/675
D935,713 S	11/2021	Ma	
D940,417 S	1/2022	Niedzwecki	
D945,093 S *	3/2022	Liu	D32/18
D952,970 S	5/2022	Niedzwecki	
D954,371 S *	6/2022	Cai	D32/18
D967,579 S *	10/2022	Cole	D32/32
D977,211 S *	1/2023	Chen	D32/18
D983,471 S *	4/2023	Liao	D32/15

FIG. 1 is a right perspective view of a vacuum cleaner showing my new design;  
FIG. 2 is a left perspective view thereof;  
FIG. 3 is a left perspective view in another angle thereof;  
FIG. 4 is a front elevational view thereof;  
FIG. 5 is a rear elevational view thereof;  
FIG. 6 is a left side view thereof;  
FIG. 7 is a right side view thereof;  
FIG. 8 is a top plan view thereof;  
FIG. 9 is a bottom plan view thereof;  
FIG. 10 is a right perspective view of the vacuum cleaner in a detached state; and,  
FIG. 11 is a left perspective view of the vacuum cleaner in a detached state.

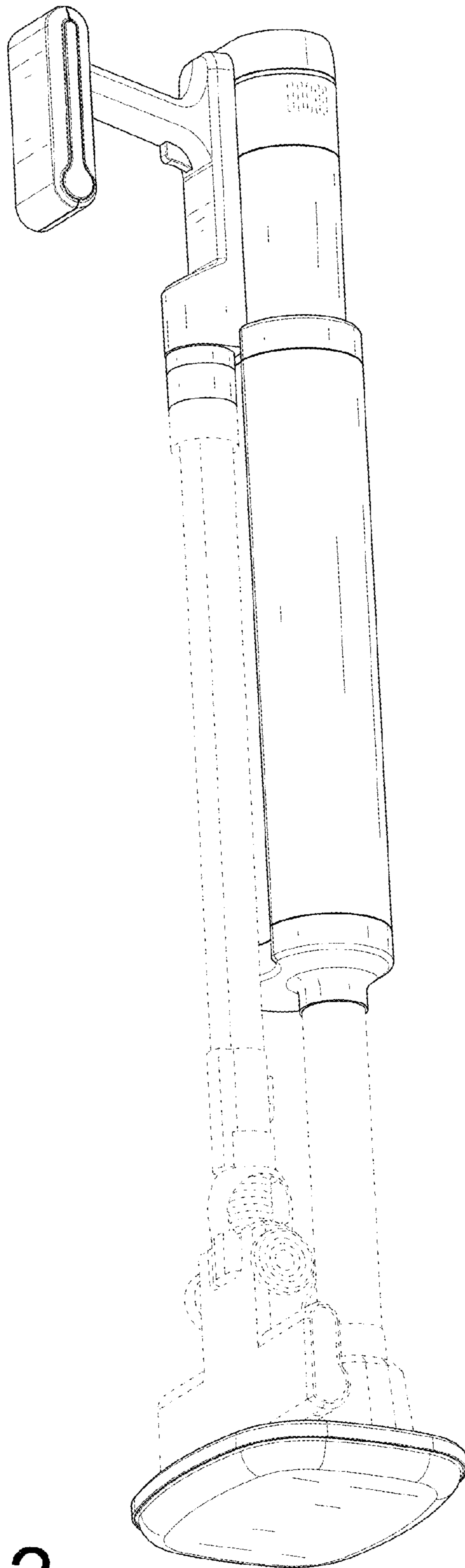
The broken lines in the figures are for the purposes of illustrating portions of the vacuum cleaner, which form no part of the claimed design.

**1 Claim, 11 Drawing Sheets**

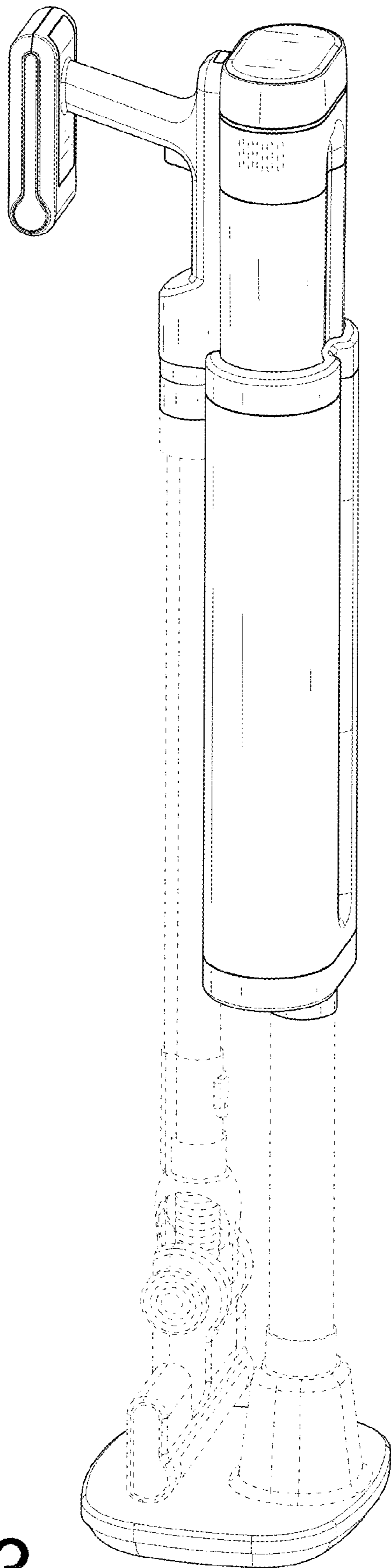




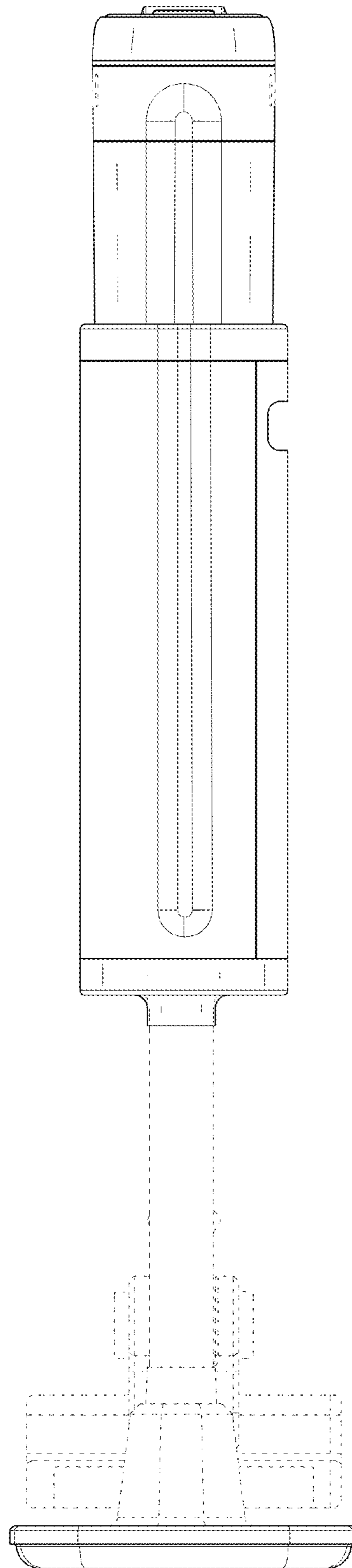
**FIG. 1**



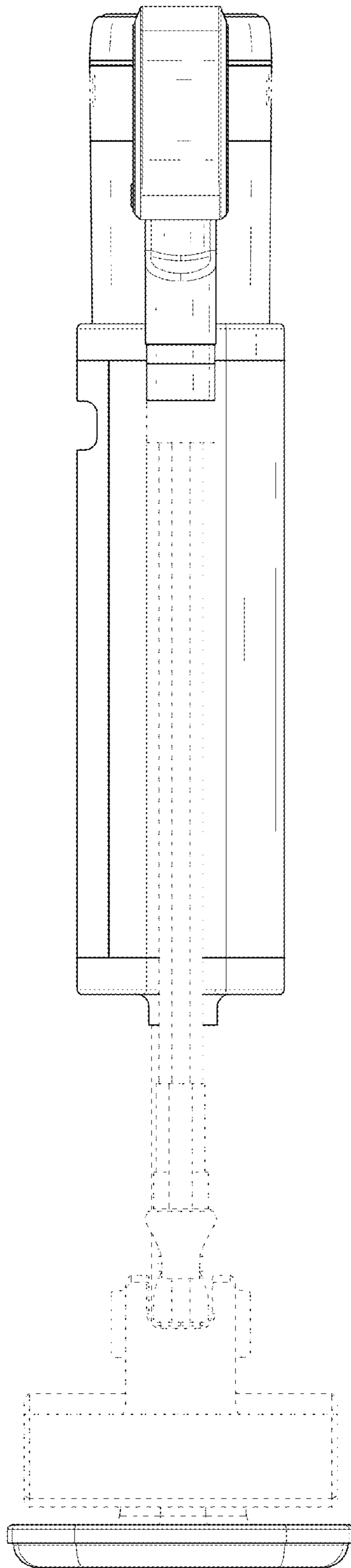
**FIG. 2**



**FIG. 3**

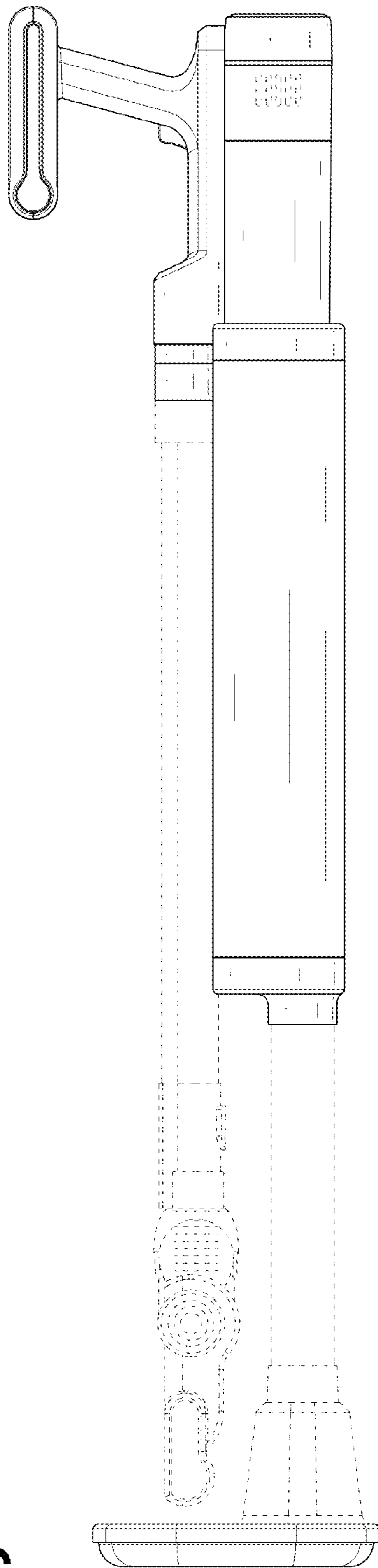


**FIG. 4**

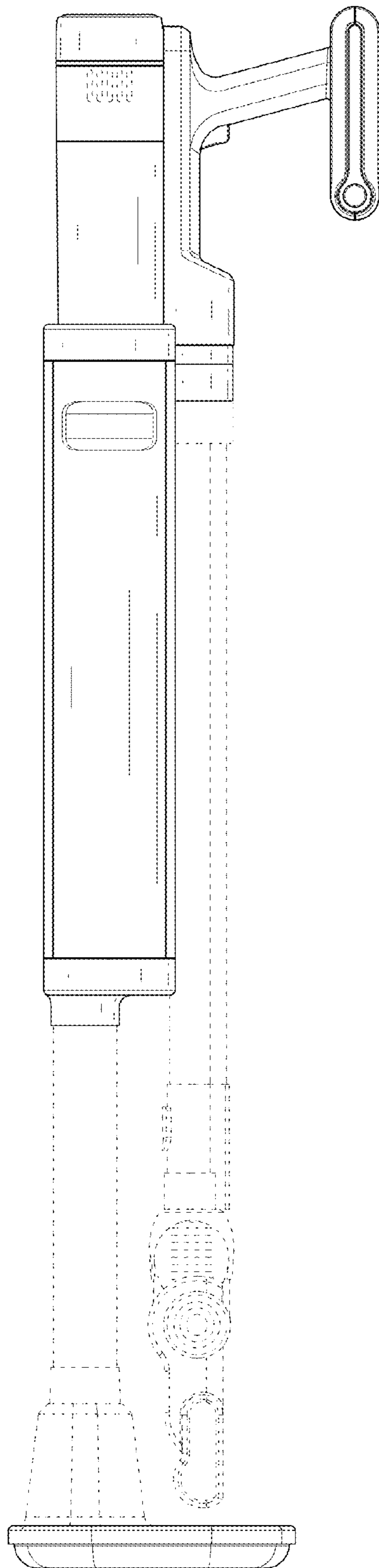


**FIG. 5**



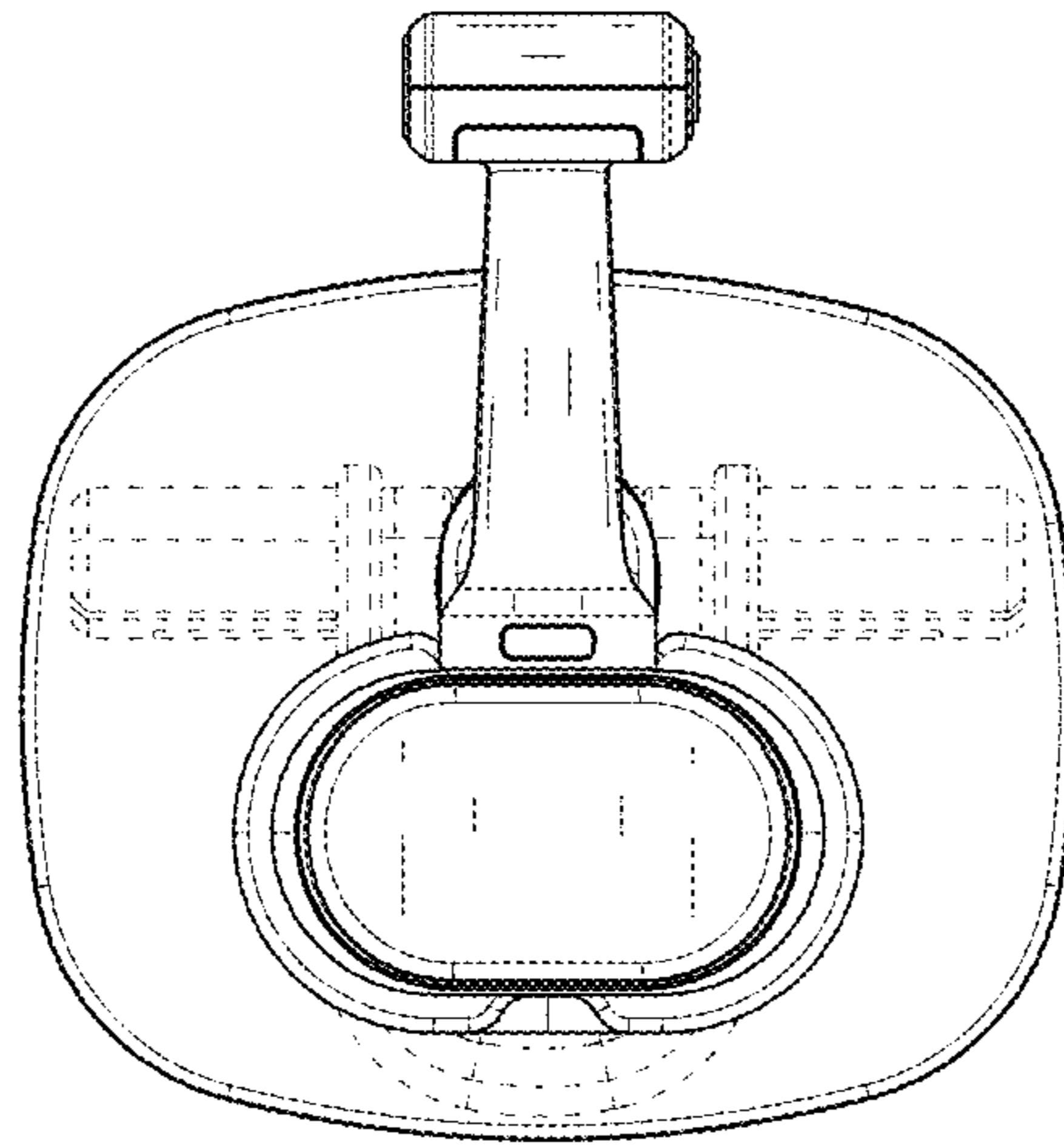


**FIG. 6**

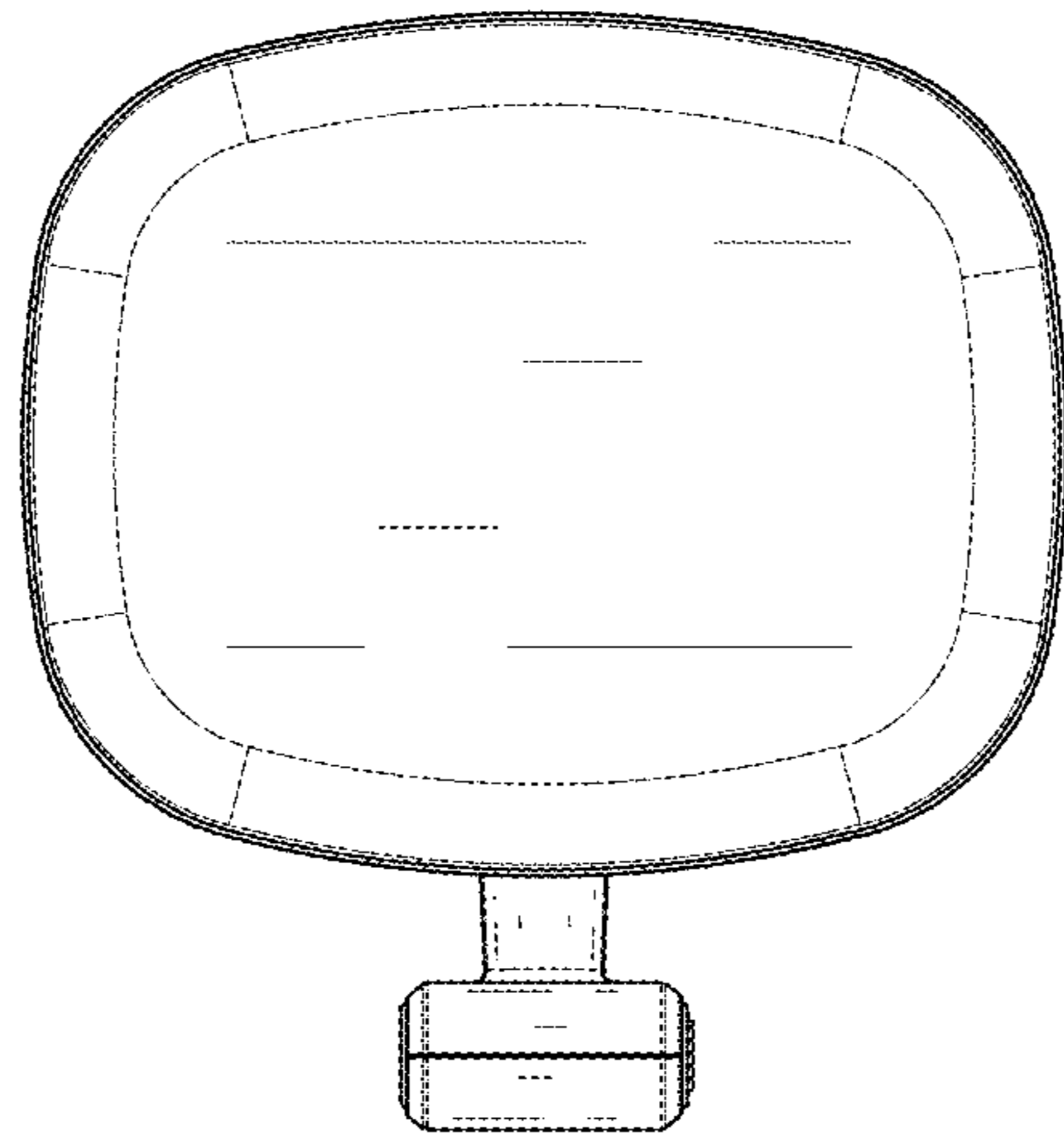


**FIG. 7**

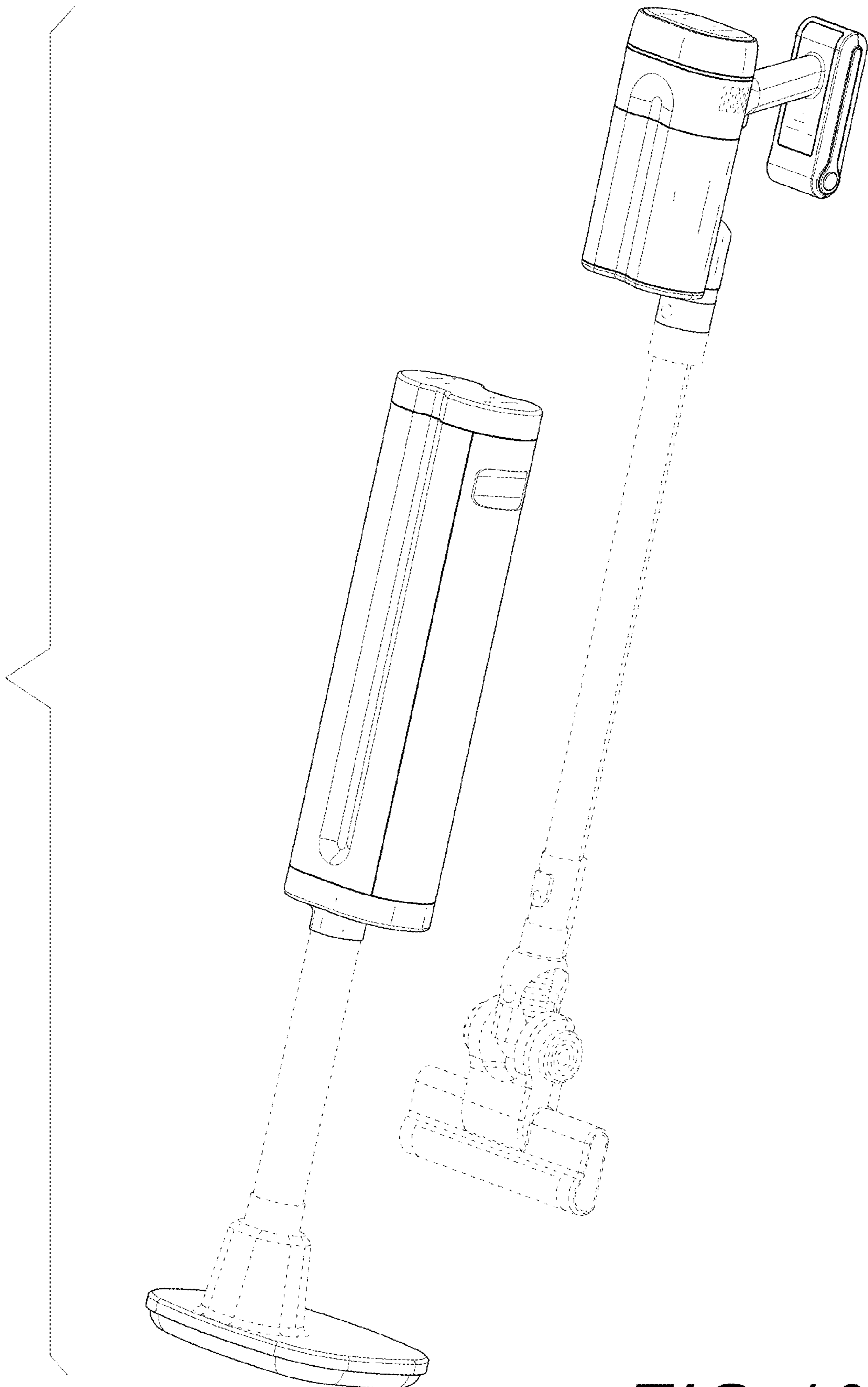




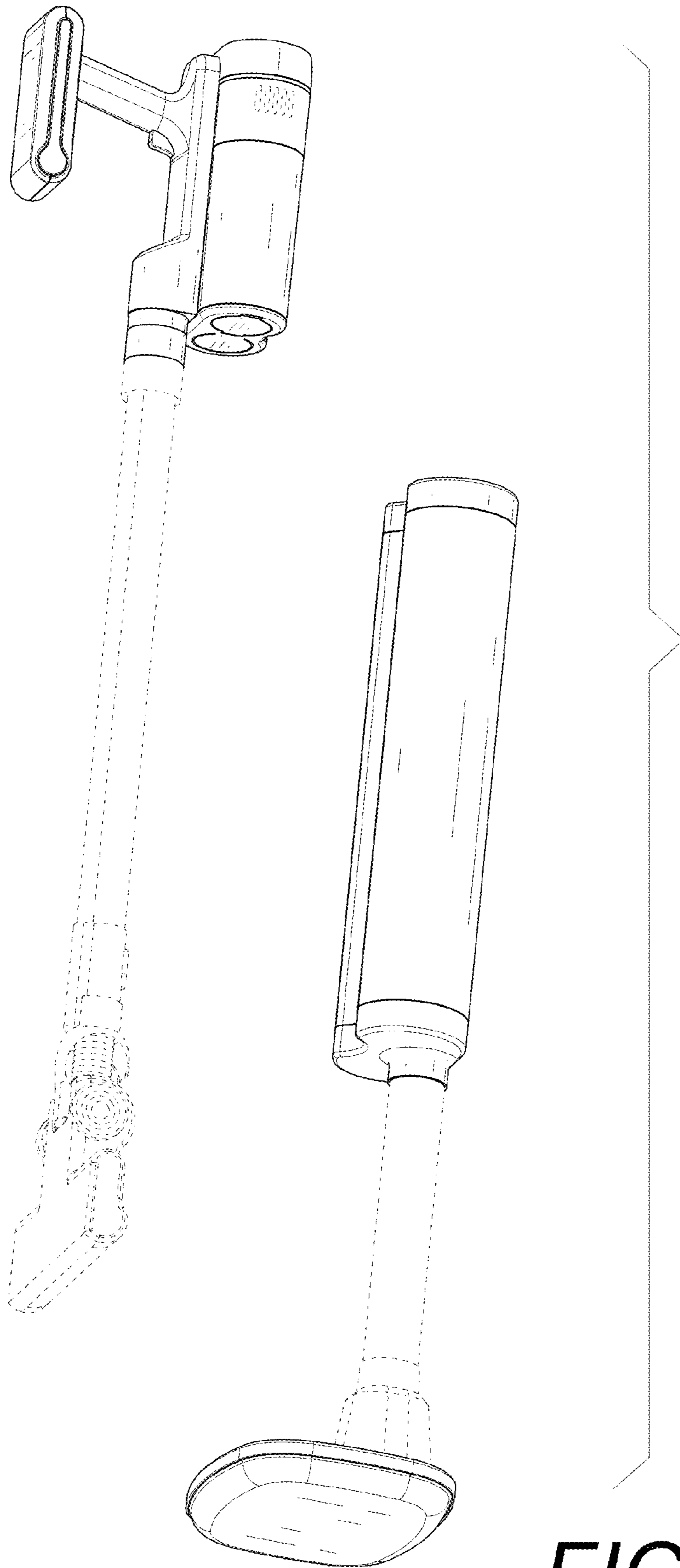
***FIG. 8***



***FIG. 9***



**FIG. 10**



**FIG. 11**