



US0D1001399S

(12) **United States Design Patent** (10) **Patent No.:** **US D1,001,399 S**  
**Pan** (45) **Date of Patent:** **\*\* Oct. 10, 2023**

(54) **DOG TRAINER**  
(71) Applicant: **Shenzhen Yousenyue Trading Co., Ltd.**, Shenzhen (CN)  
(72) Inventor: **Hongjie Pan**, Maoming (CN)  
(73) Assignee: **Shenzhen Yousenyue Trading Co., Ltd**  
(\*\*) Term: **15 Years**

D928,781 S \* 8/2021 Kozlovskaya ..... D14/344  
11,094,224 B2 \* 8/2021 Stapleton ..... G09F 3/08  
D943,845 S \* 2/2022 Li ..... D10/104.1  
D957,763 S \* 7/2022 Jia ..... D10/104.1  
D970,827 S \* 11/2022 Zhuang ..... D30/152  
D972,236 S \* 12/2022 Liang ..... D10/104.1  
D972,791 S \* 12/2022 Deng ..... D30/152  
D977,764 S \* 2/2023 Ni ..... D10/104.1  
D977,766 S \* 2/2023 Jia ..... D10/104.1  
D980,552 S \* 3/2023 Jia ..... D10/104.1  
D984,070 S \* 4/2023 Yang ..... D10/104.1

(Continued)

(21) Appl. No.: **29/843,688**  
(22) Filed: **Jun. 23, 2022**  
(51) **LOC (14) Cl.** ..... **30-04**  
(52) **U.S. Cl.**  
USPC ..... **D30/152; D30/199; D14/344; D10/104.1**  
(58) **Field of Classification Search**  
USPC ..... D30/108, 118, 119, 120, 151, 152, 153,  
D30/160, 199; D10/104.1, 104.2, 105,  
D10/116.1, 121; D14/341, 344;  
D22/117, 199  
CPC .... A01K 15/00; A01K 15/021; A01K 15/022;  
A01K 15/023; A01K 15/029; A01K  
27/009; A01K 27/00; A01K 27/001;  
A01K 27/006; A01K 27/007; A01K  
27/008

See application file for complete search history.

(56) **References Cited**

**U.S. PATENT DOCUMENTS**

D400,458 S \* 11/1998 Titus ..... D10/104.1  
9,861,080 B1 \* 1/2018 Hathway ..... A01K 27/001  
D824,120 S 7/2018 Yang et al.  
D886,100 S \* 6/2020 Choplin ..... D14/344  
D888,353 S \* 6/2020 Lan ..... D10/104.1  
D897,057 S 9/2020 Jia  
D898,613 S \* 10/2020 Stapleton ..... D11/216  
D917,115 S 4/2021 Tang  
D919,201 S \* 5/2021 Wang ..... D10/104.1  
D925,141 S \* 7/2021 Lai ..... D10/104.1

**OTHER PUBLICATIONS**

Bestdoggo Bark Collar for Dogs. Bestdoggo, amazon.ca (online) 7 pages. Posted Dec. 22, 2021. [Retrieved Jan. 5, 2023] <https://a.co/d/iUm0ite> (Year: 2021).\*

(Continued)

*Primary Examiner* — Rebekah A Caruso  
*Assistant Examiner* — Cole Sanders Holman  
(74) *Attorney, Agent, or Firm* — Jose Cherson Weissbrot

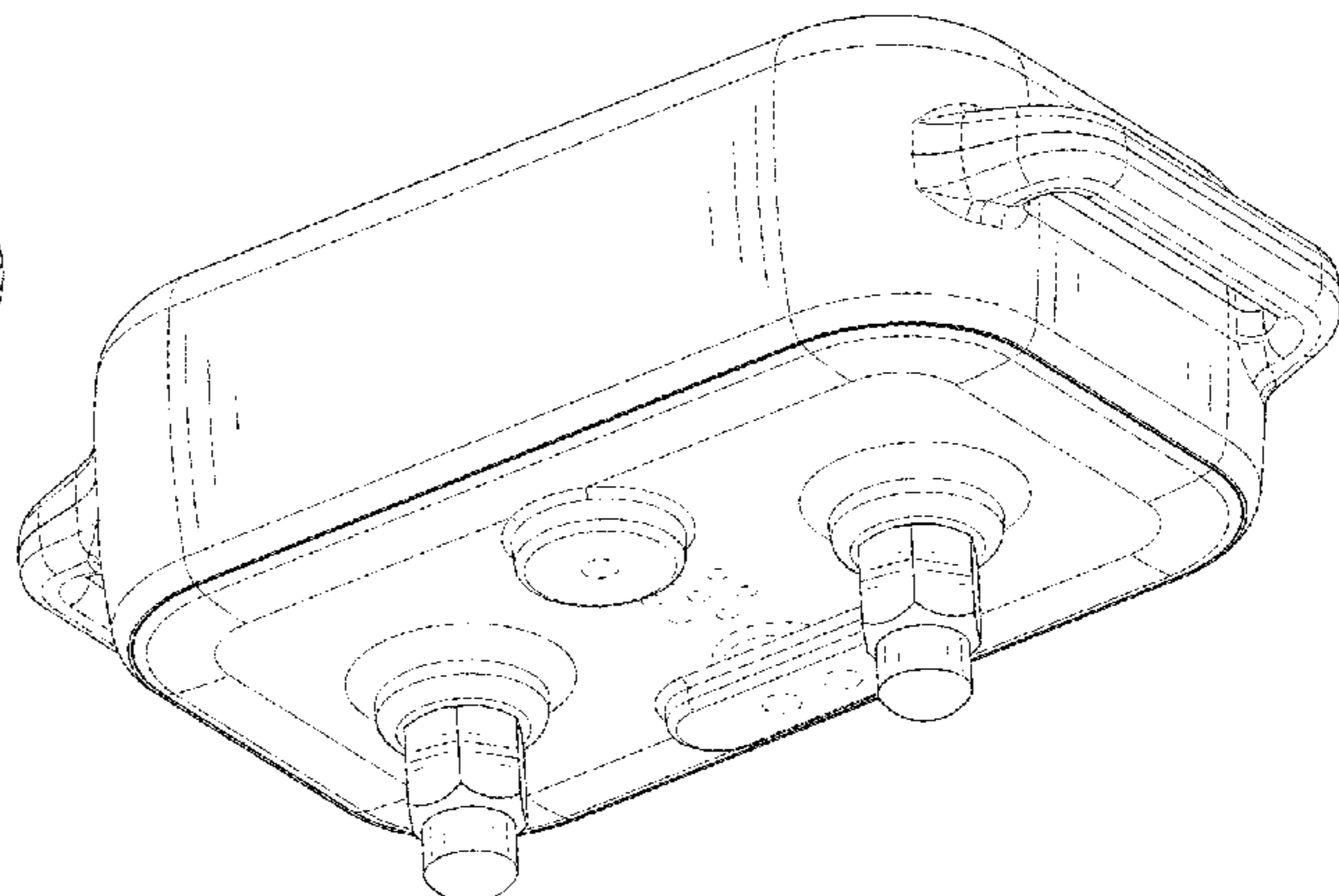
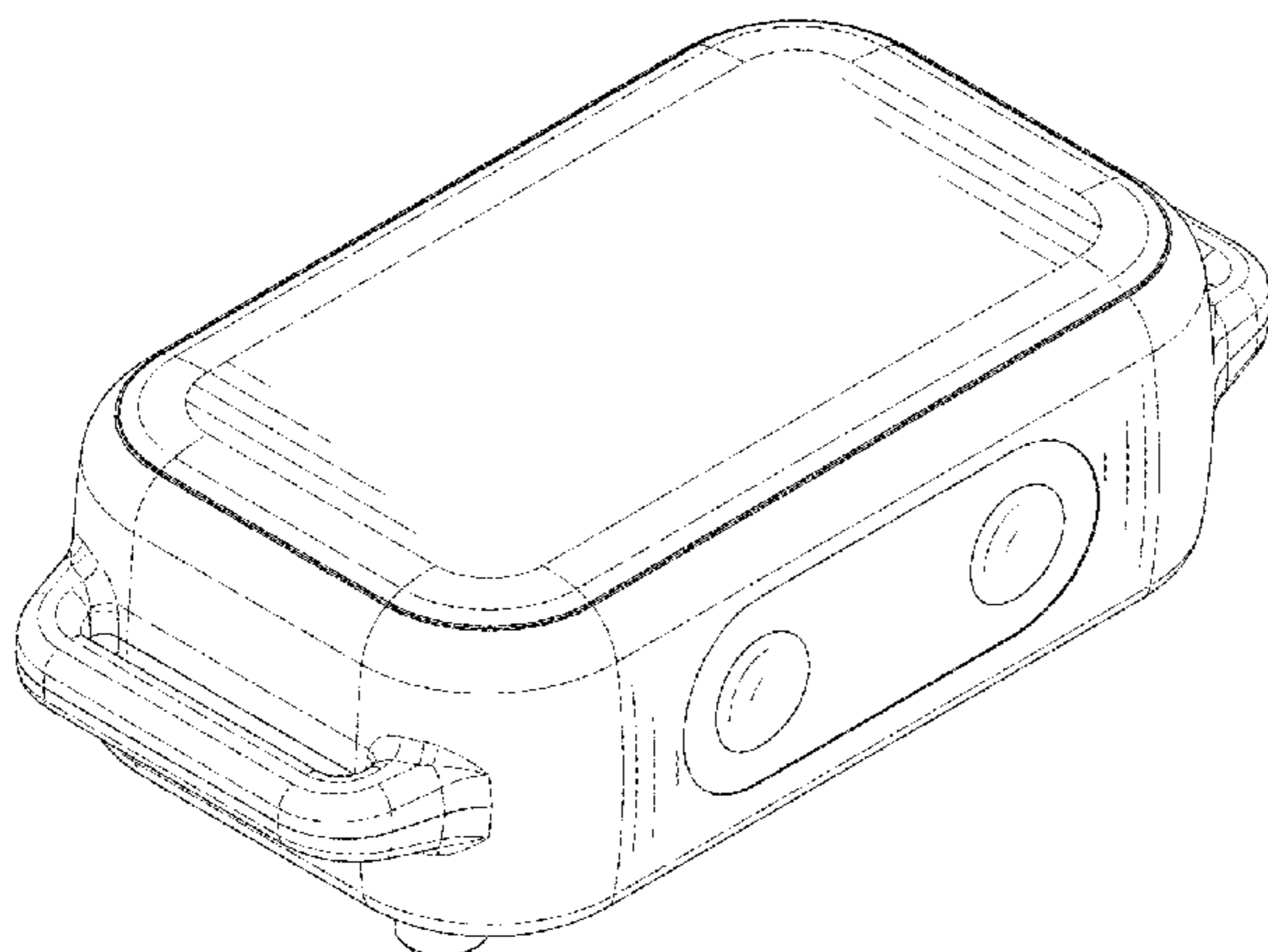
(57) **CLAIM**

The ornamental design for a dog trainer, as shown and described.

**DESCRIPTION**

FIG. 1 is a first perspective view of a dog trainer showing my new design;  
FIG. 2 is a second perspective view thereof;  
FIG. 3 is a front view thereof;  
FIG. 4 is a back view thereof;  
FIG. 5 is a left side view thereof;  
FIG. 6 is a right side view thereof;  
FIG. 7 is a top view thereof; and,  
FIG. 8 is a bottom view thereof.  
The broken lines shown in the drawings depict portions of the dog trainer that form no part of the claimed design.

**1 Claim, 8 Drawing Sheets**



(56)

**References Cited**

U.S. PATENT DOCUMENTS

2006/0102100 A1\* 5/2006 Becker ..... A01K 27/009  
119/720  
2018/0249680 A1\* 9/2018 Van Curen ..... A01K 15/022

OTHER PUBLICATIONS

SiBei Anti Bark Collar. SiBei, amazon.co.uk (online) 7 pages. Posted Jul. 6, 2022. [Retrieved Jan. 5, 2023] <https://amzn.eu/d/aj7Ezgc> (Year: 2022).\*

Patpet Remote Dog Training Collar. Patpet, chewy.com (online) 6 pages. Posted Unknown. [Retrieved Jan. 5, 2023] [https://www.chewy.com/patpet-p651a-vibration-beep-remote/dp/389969?utm\\_source=google-product&utm\\_medium=cpc&utm\\_campaign=12646124820&utm\\_content=PATPET&utm\\_term=&gclid=EAla](https://www.chewy.com/patpet-p651a-vibration-beep-remote/dp/389969?utm_source=google-product&utm_medium=cpc&utm_campaign=12646124820&utm_content=PATPET&utm_term=&gclid=EAla) (Year: NA) (Year: NA).\*

Dinjoo Bark Collar. Dinjoo, amazon.com (online) 13 pages. Posted Jul. 25, 2022. [Retrieved Jan. 5, 2023] <https://a.co/d/6XZ0uuC> (Year: 2022).\*

Vsezund Dog Training Collar. Vsezund, amazon.com (online) 13 pages. Posted Mar. 12, 2022. [Retrieved Jan. 5, 2023] <https://a.co/d/514bmvJ> (Year: 2022).\*

\* cited by examiner

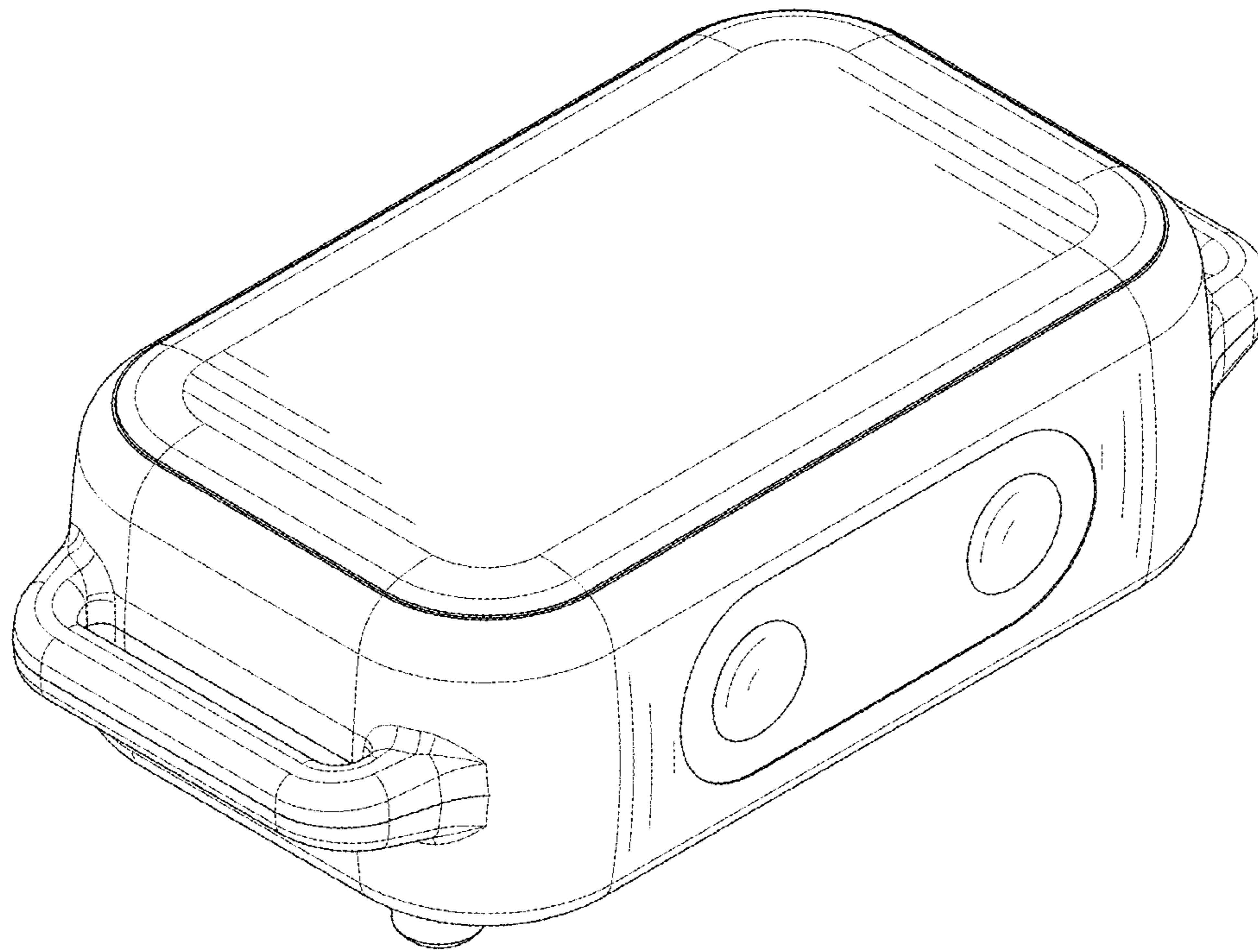


FIG. 1

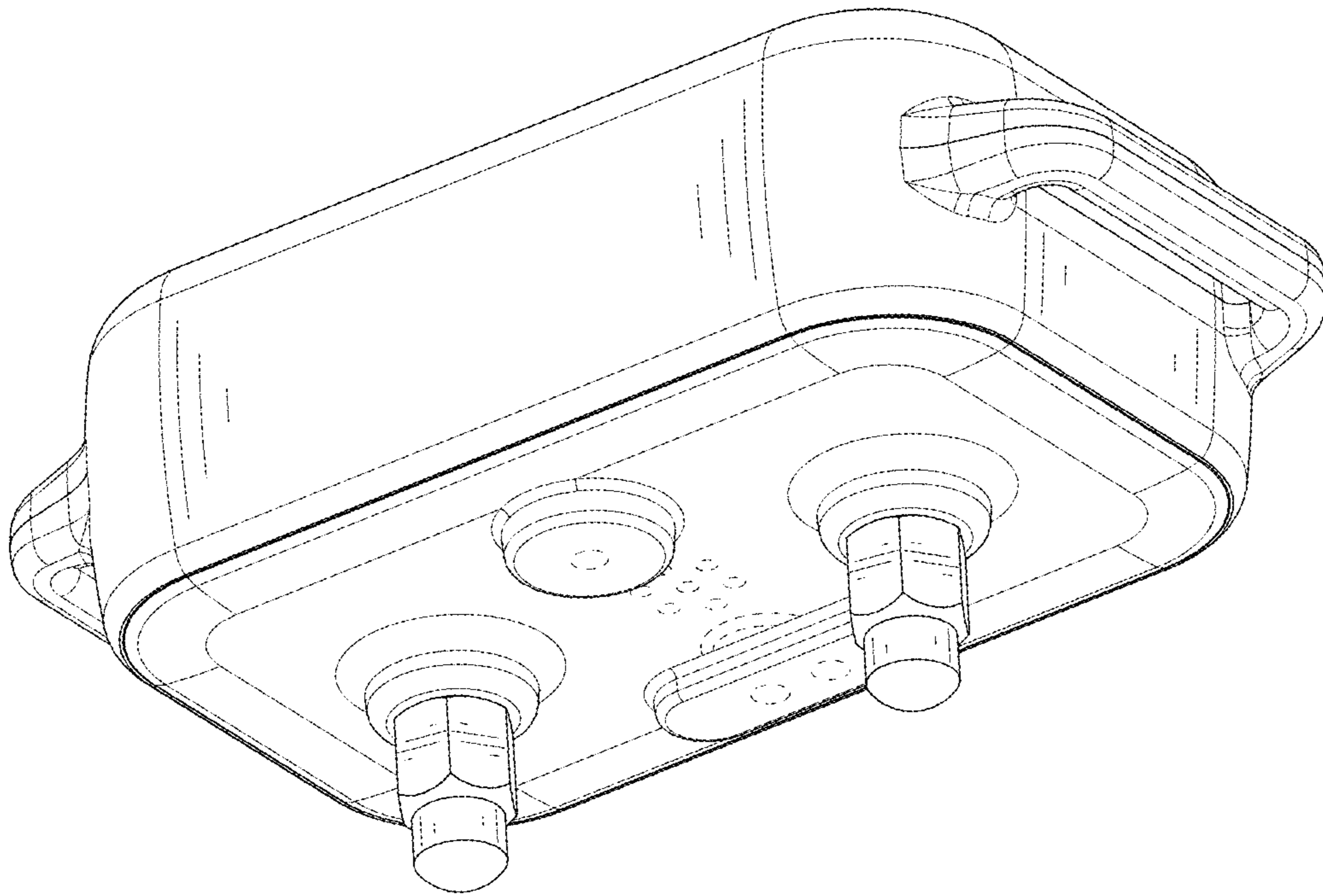


FIG. 2

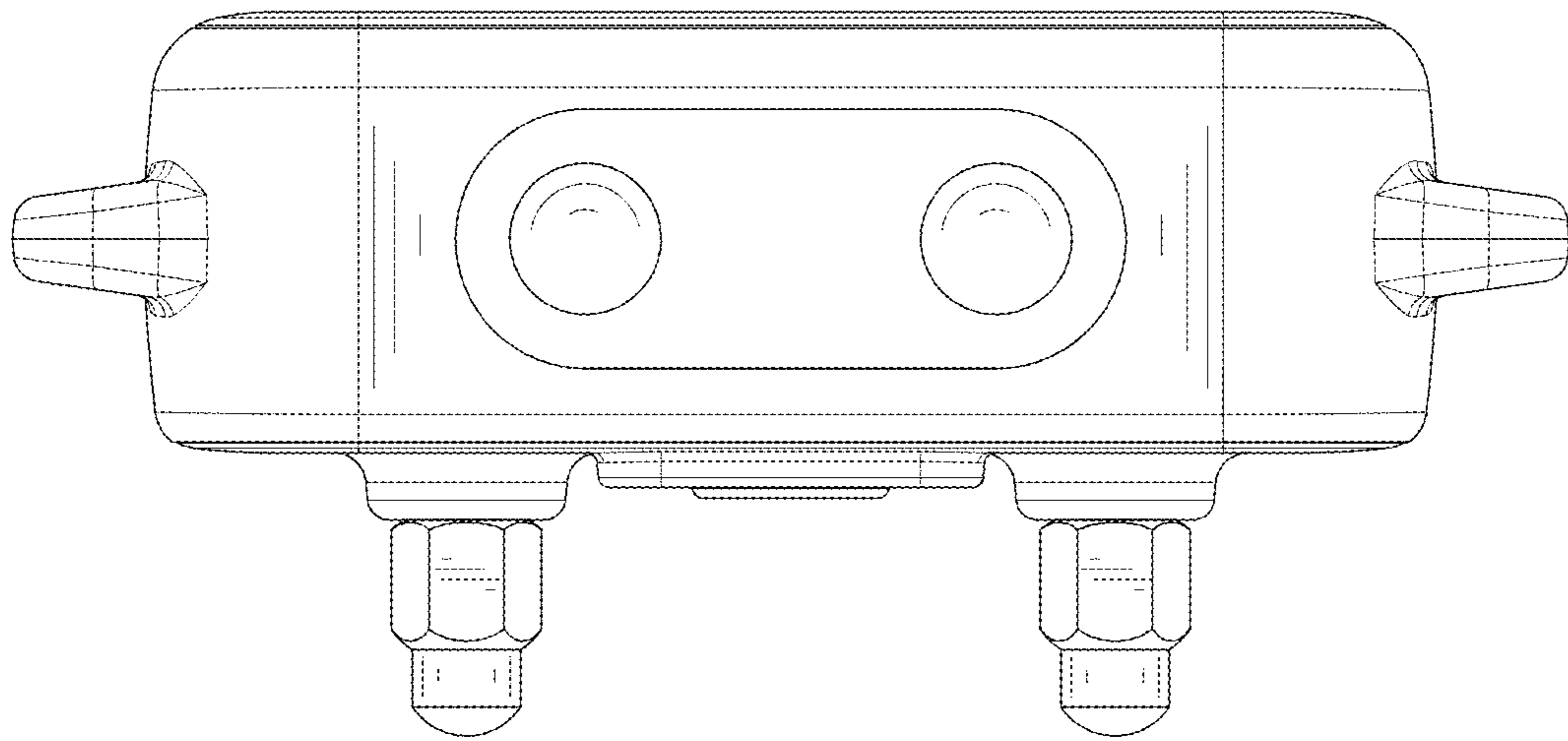


FIG. 3

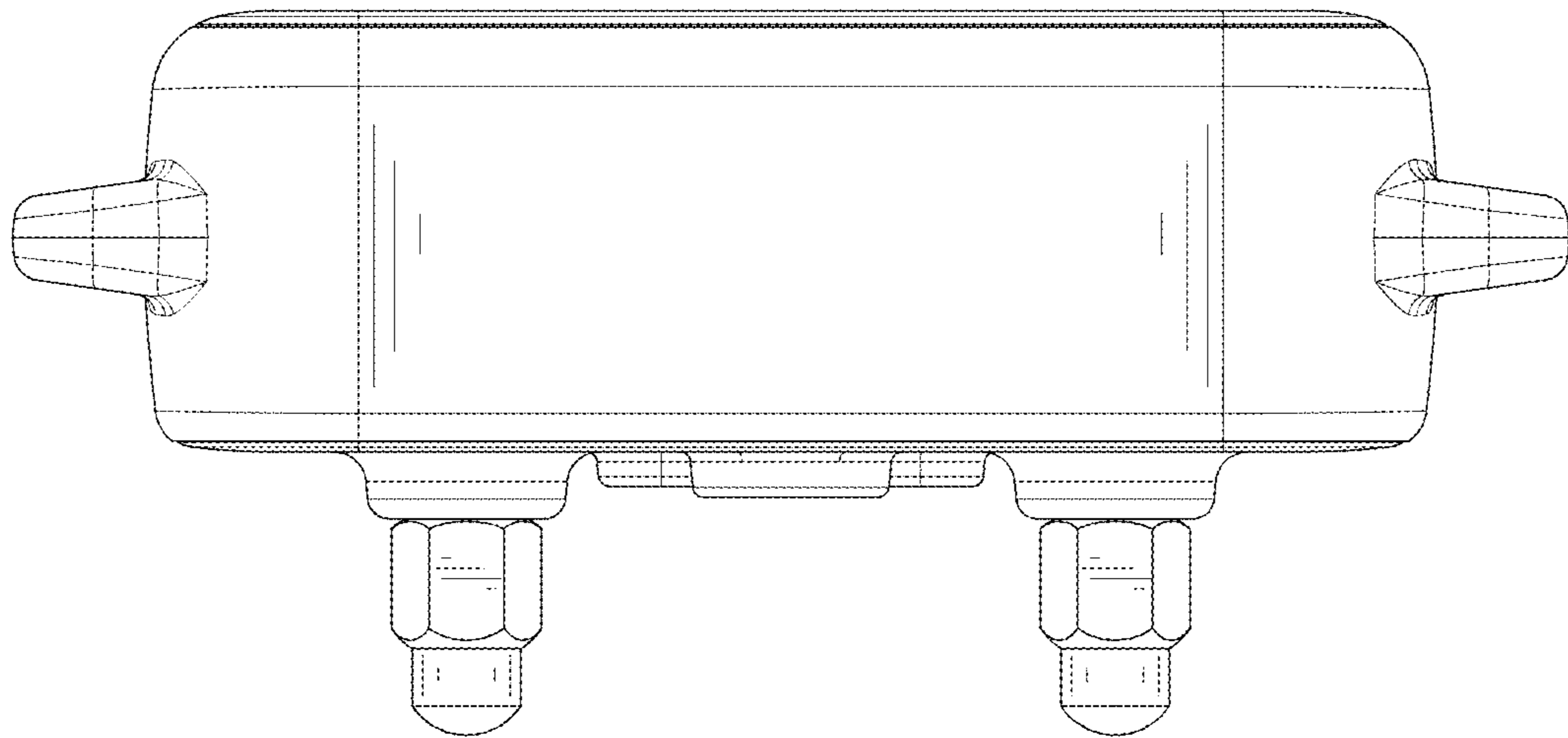


FIG. 4

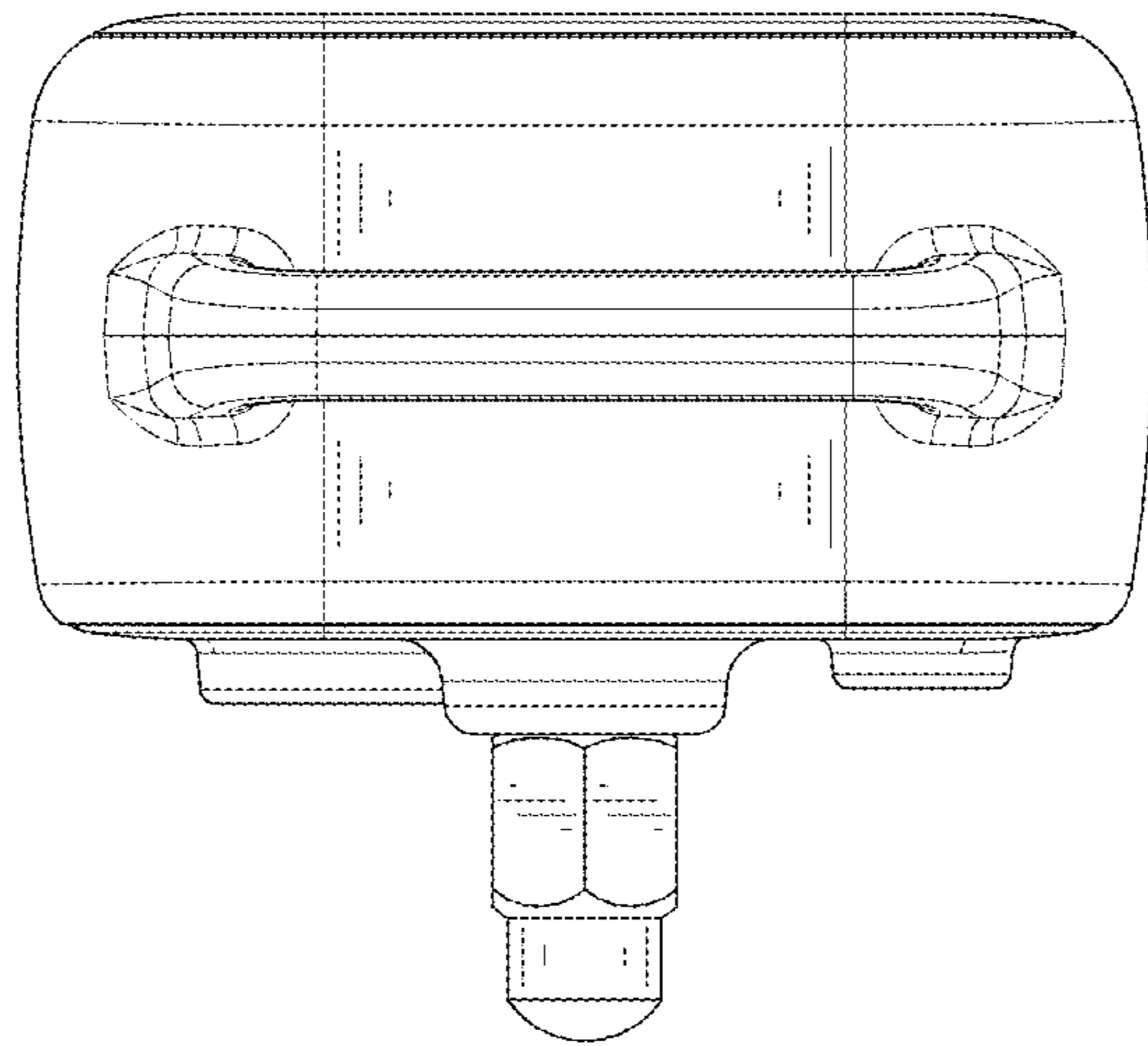


FIG. 5

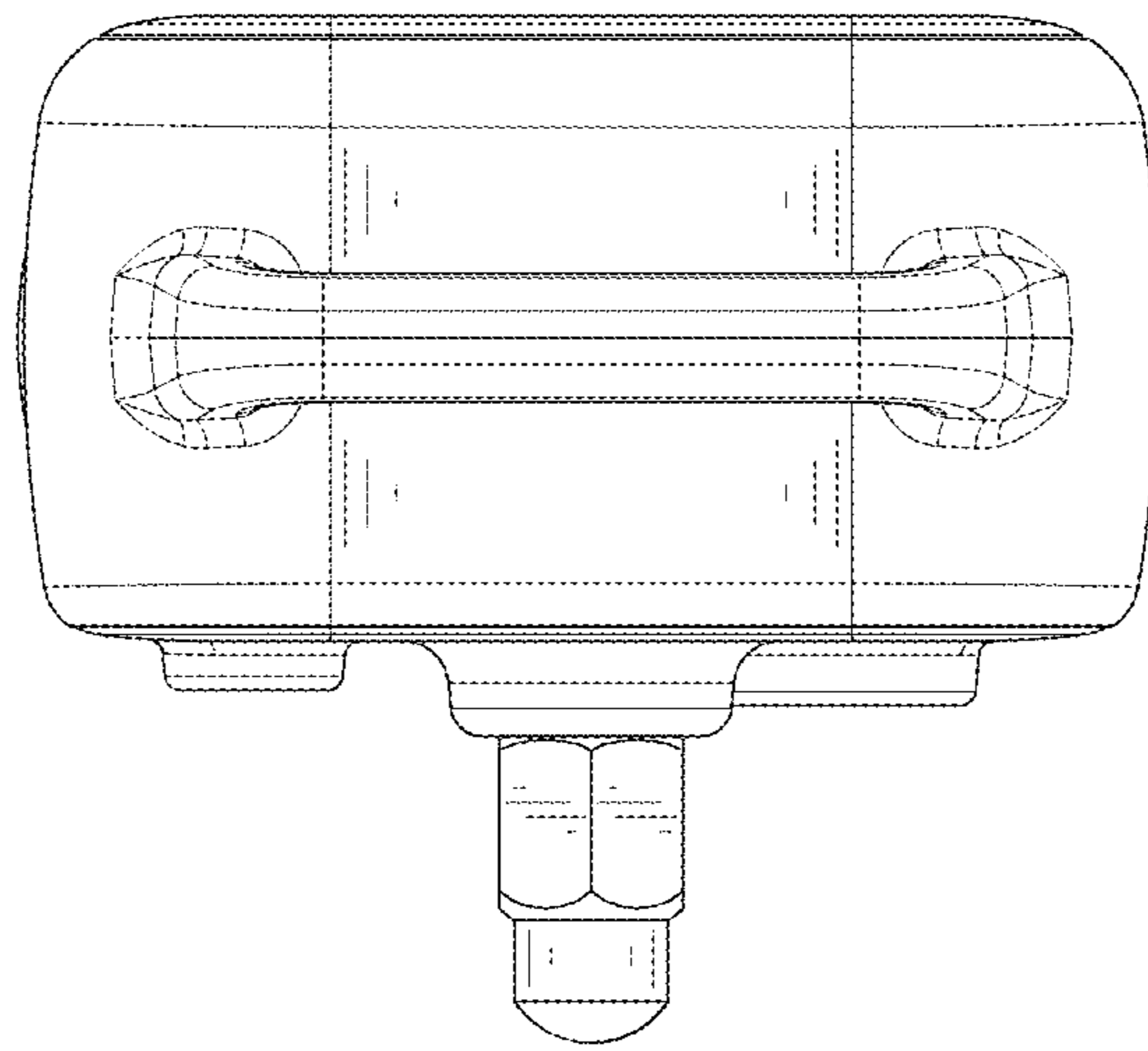


FIG. 6



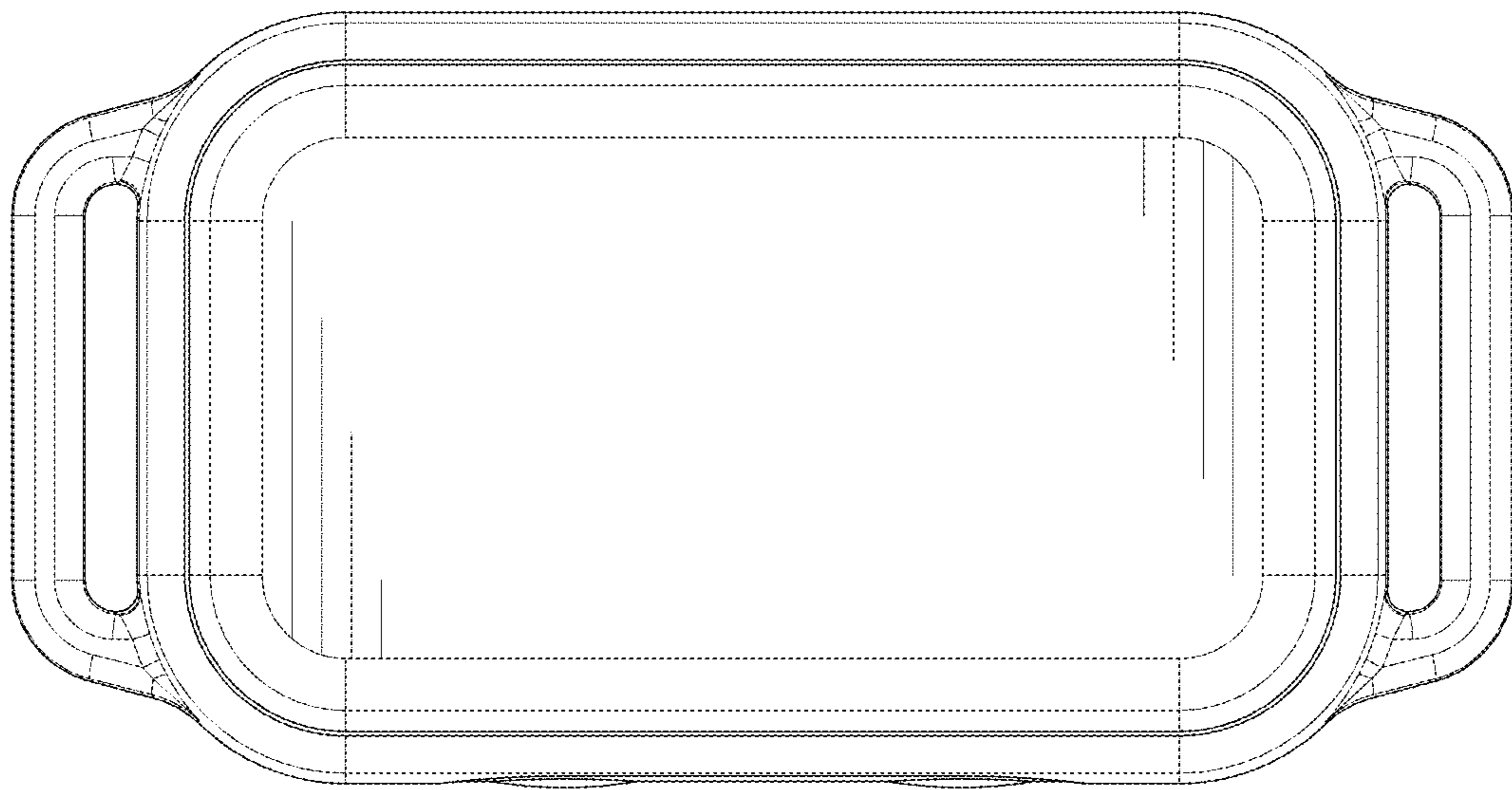


FIG. 7

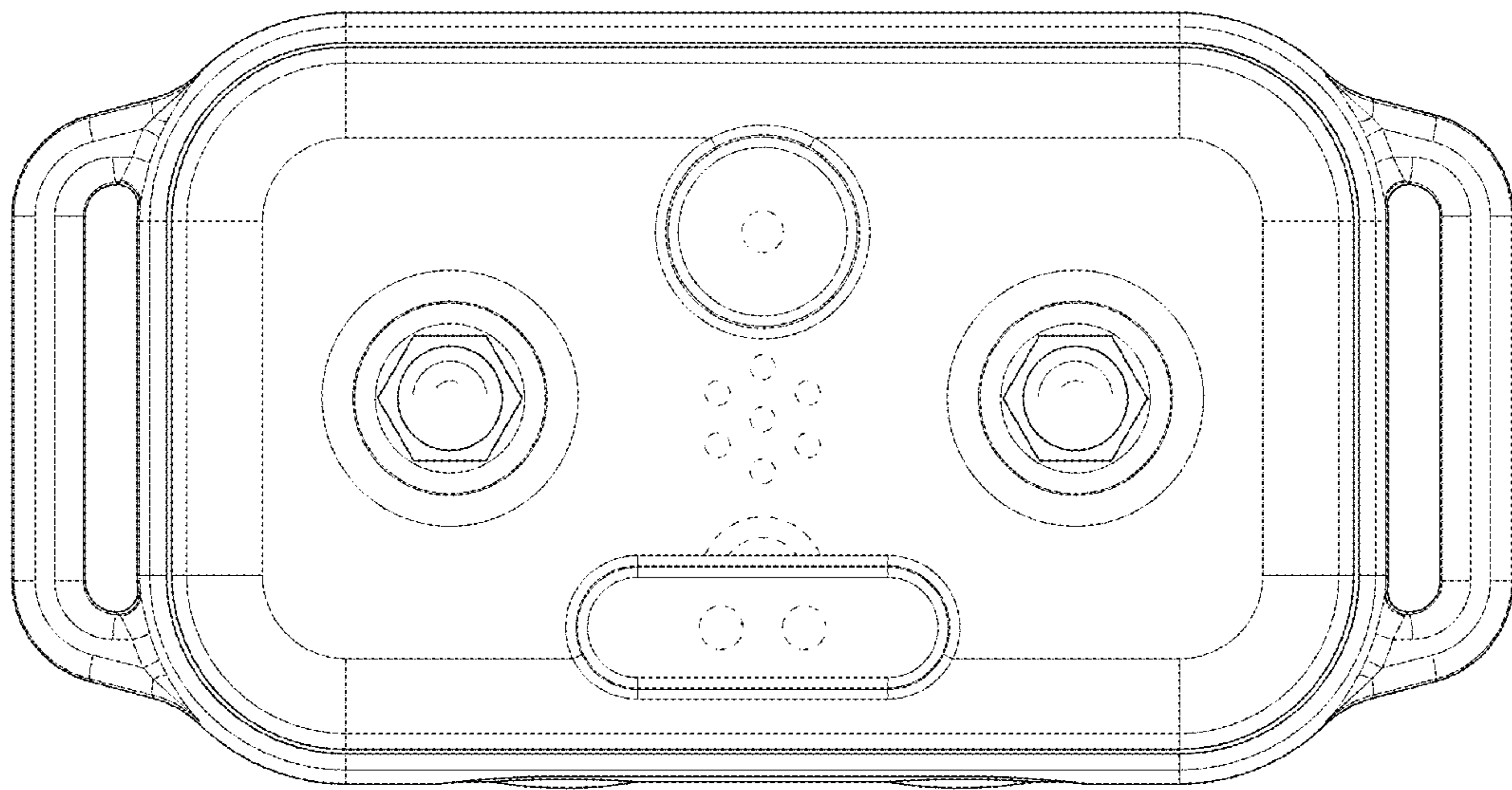


FIG. 8