



US0D1001308S

(12) **United States Design Patent** (10) **Patent No.: US D1,001,308 S**
Espenhahn et al. (45) **Date of Patent: ** Oct. 10, 2023**

(54) **PIPETTE DEVICE**

FOREIGN PATENT DOCUMENTS

(71) Applicant: **BRAND GMBH + CO KG**, Wertheim (DE)

CN 304229353 * 8/2017
EM 000105739-0001 3/2004

(Continued)

(72) Inventors: **Stefan Espenhahn**, Hamburg (DE); **Till Kobes**, Travemünde (DE); **Norbert Koop**, Rellingen (DE); **Jan Sokoll**, Nortorf (DE)

OTHER PUBLICATIONS

Brand Accu-jet® S pipette controller stands alone: Simple. Easy. Efficient. Online, published date Oct. 19, 2021. Retrieved on Feb. 10, 2023 from URL: <https://www.youtube.com/watch?v=LWuCBBHvaDg&t=36s>.*

(Continued)

(73) Assignee: **BRAND GMBH + CO KG**, Wertheim (DE)

(**) Term: **15 Years**

Primary Examiner — Omeed Agilee

(21) Appl. No.: **29/807,695**

(74) *Attorney, Agent, or Firm* — Calderon Safran & Cole, P.C.; David S. Safran

(22) Filed: **Sep. 14, 2021**

(30) **Foreign Application Priority Data**

(57) **CLAIM**

Mar. 16, 2021 (EM) 008464069-0003

The ornamental design for a pipette device, as shown and described.

(51) **LOC (14) Cl.** **24-02**

(52) **U.S. Cl.**
USPC **D24/222**

DESCRIPTION

(58) **Field of Classification Search**
USPC D24/107, 108, 121–123, 216–217, 219, D24/222–226, 227, 229–231, 232
CPC B01L 3/50853; B01L 9/065; B01L 9/543; B01L 3/0217; B01L 3/0237
See application file for complete search history.

FIG. 1 is a front right top perspective view of a pipette device showing our new design;
FIG. 2 is a front view of the pipette device shown in FIG. 1;
FIG. 3 is a rear view of the pipette device shown in FIG. 1;
FIG. 4 is a top view of the pipette device shown in FIG. 1;
FIG. 5 is a bottom view of the pipette device shown in FIG. 1;
FIG. 6 is a right side view of the pipette device shown in FIG. 1; and,
FIG. 7 is a left side view of the pipette device shown in FIG. 1.

(56) **References Cited**

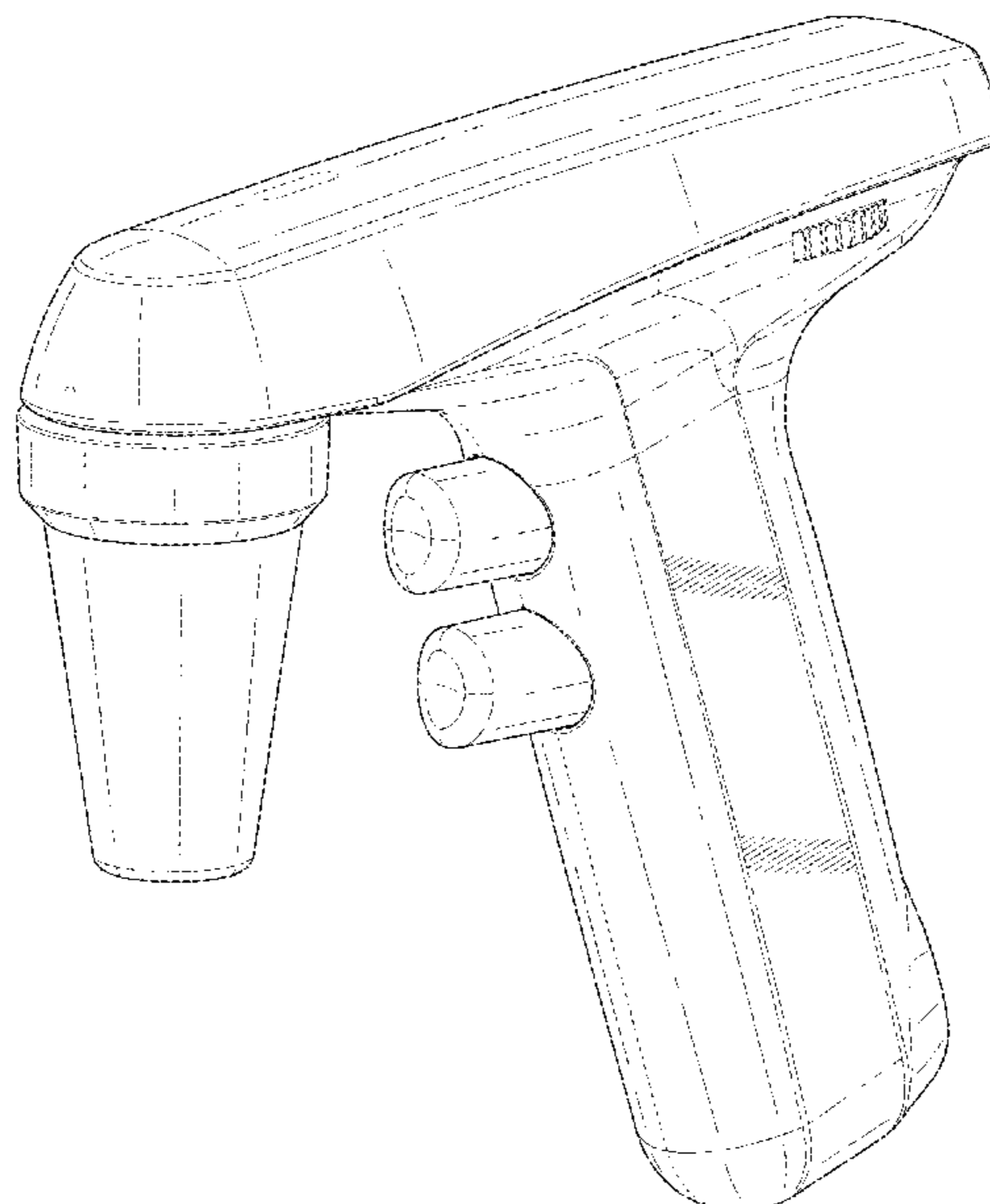
U.S. PATENT DOCUMENTS

3,954,014 A * 5/1976 Andrews, Jr. B01L 3/0234 604/223
4,257,268 A * 3/1981 Pepicelli B01L 3/0224 73/864.18
D277,314 S * 1/1985 Alvarez D24/222

The broken lines in all figures and the dash-dot-dash line in FIG. 5 depicts the boundary of the claim and forms no part thereof.

(Continued)

1 Claim, 5 Drawing Sheets



(56)

References Cited

U.S. PATENT DOCUMENTS

6,253,628 B1 * 7/2001 Steele B01L 3/0224
 73/864.15
 D460,193 S * 7/2002 Schieffer D24/222
 D507,656 S 7/2005 Pniewski et al.
 D510,629 S 10/2005 Piacenza et al.
 D561,346 S * 2/2008 Alejos D24/222
 D938,027 S * 12/2021 Zhang D24/133

FOREIGN PATENT DOCUMENTS

EM 000105739-0002 3/2004
 EM 008761092-0001 * 11/2021

OTHER PUBLICATIONS

Resetting an accu-jet pro Pipette Controller from BrandTech Scientific, Inc. Online, published date Mar. 22, 2017. Retrieved on Feb. 10, 2023 from URL: <https://www.youtube.com/watch?v=U5edFfe229l>.*

Sartorius AG, "Pipette Controllers", Product Brochure, <https://www.sartorius.com/en/products/pipetting/pipette-controllers>, 6 pages.
 Accumax Lab Devices Pvt. Ltd., "Pipette Controller", Product Brochure, <https://accumaximum.com/products/pipette-controller/>, 2 pages.
 Dlab Scientific, "Pipette Fillers", Product Brochure, http://www.dlabsci.com/english/cplb/Liquid_Handling/Pipette_Fillers/, 3 pages.
 Heathrow Scientific, "Pipette Controllers", Product Brochure, <https://www.heathrowscientific.com/pipette-controller/rf3000-pipette-controller-i-hea3000-group>, 9 pages.
 Integra Biosciences, "Pipetboy acu 2 Pipette Controller", Product Brochure, <https://www.integra-biosciences.com/united-states/en/pipetboy-sales-promotion-2020>, 1 page.
 Drummond Scientific Company, "Pipette Aid and Pipette Controllers", Product Brochure, <https://www.drummondsci.com/products/pipet-aid-and-pipette-controllers/>, 9 pages.
 Eppendorf, "Pipette Controllers", Product Brochure, <https://online-shop.eppendorf.de/DE-de/Pipettieren-44563/Manuelles-Pipettieren--Dispensieren-44564/Easypet-3-PF-48135.html>, 3 pages.
 Hirschmann Laboratories, "Pipetting Aids", Product Brochure, <http://www.hirschmann-laborgeraete.de/de-DE/produktkatalog/liquidhandling/pipettierhilfen.aspx>, 2 pages.

* cited by examiner



FIG. 1

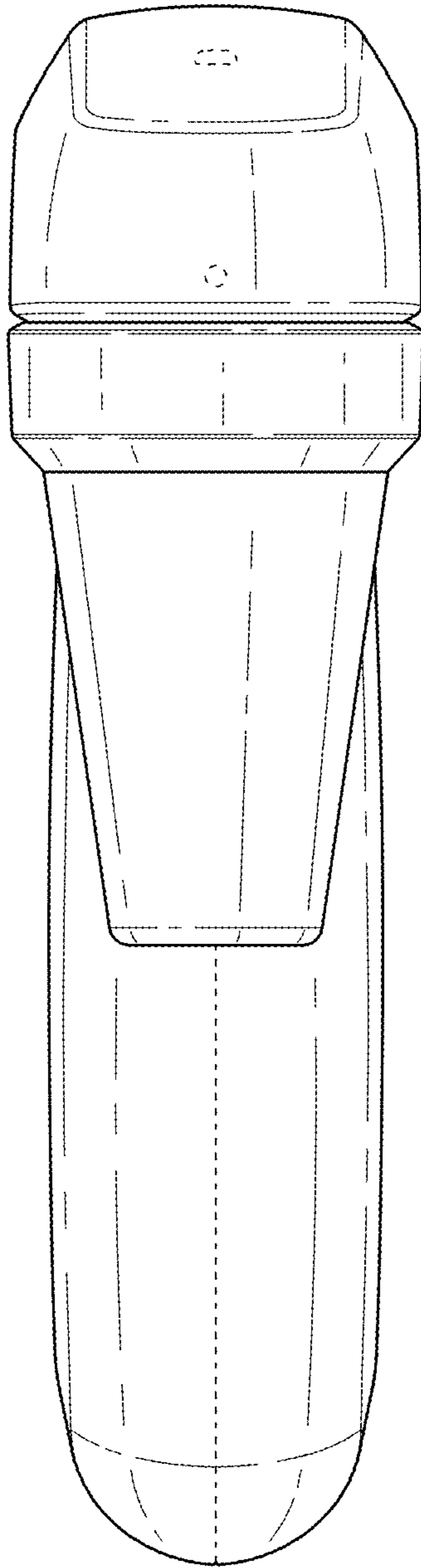


FIG. 2

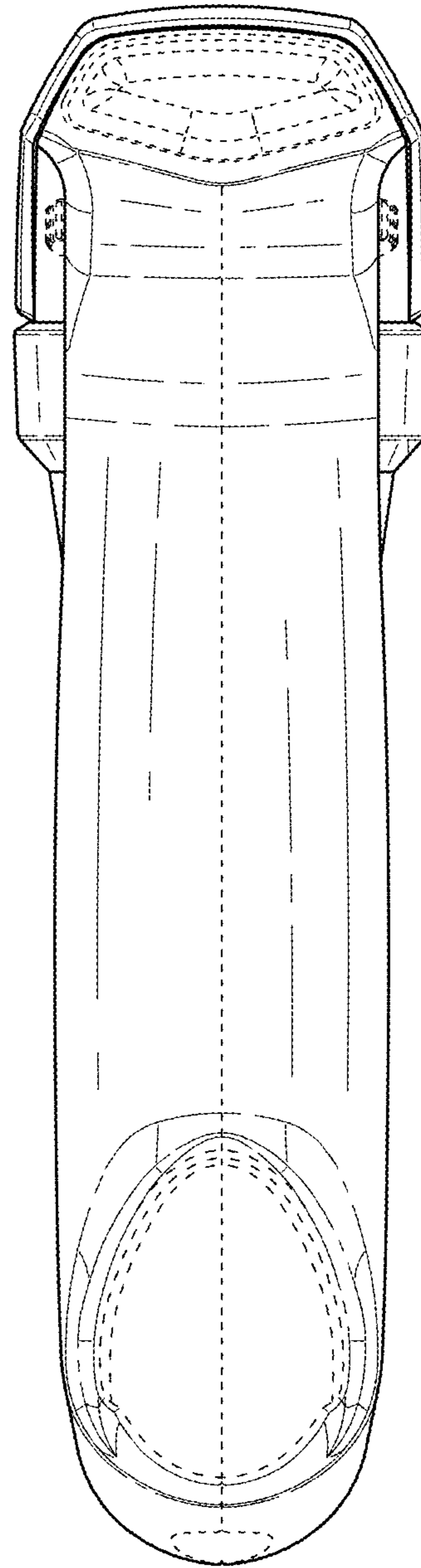


FIG. 3

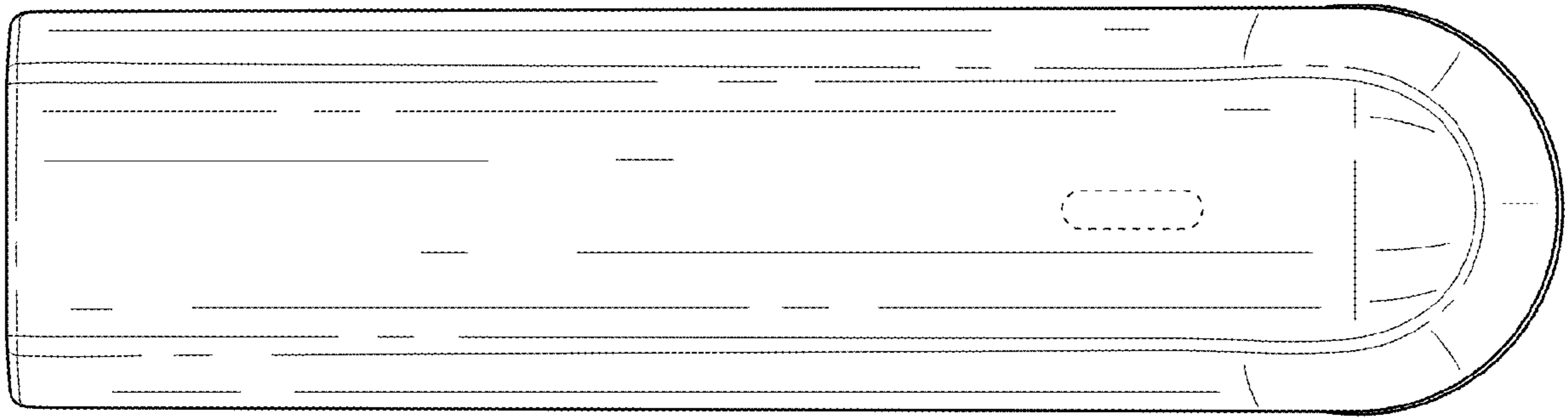


FIG. 4

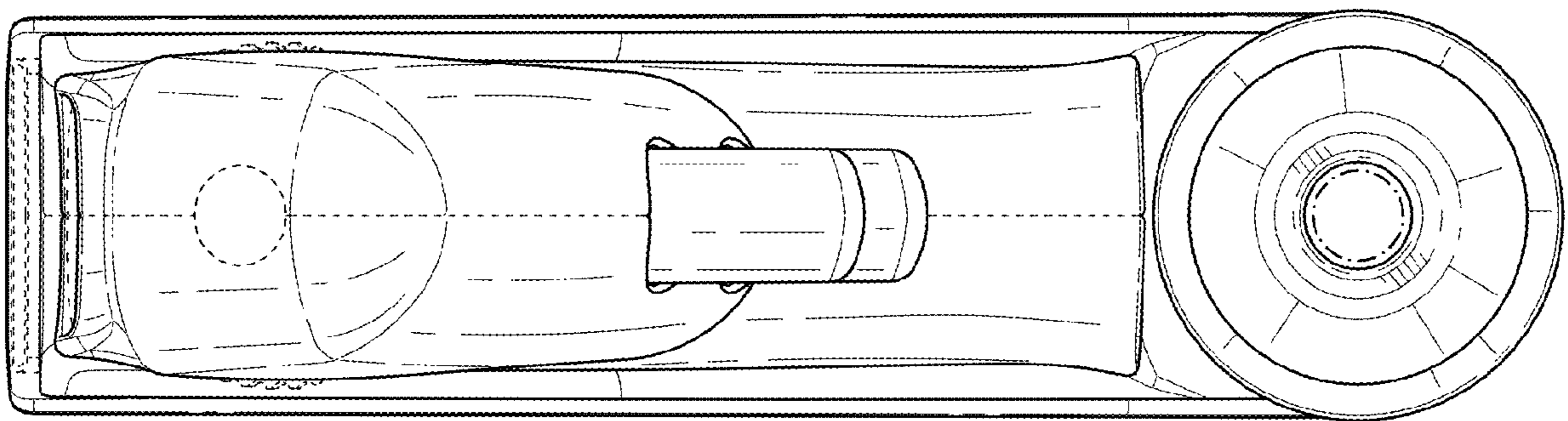


FIG. 5

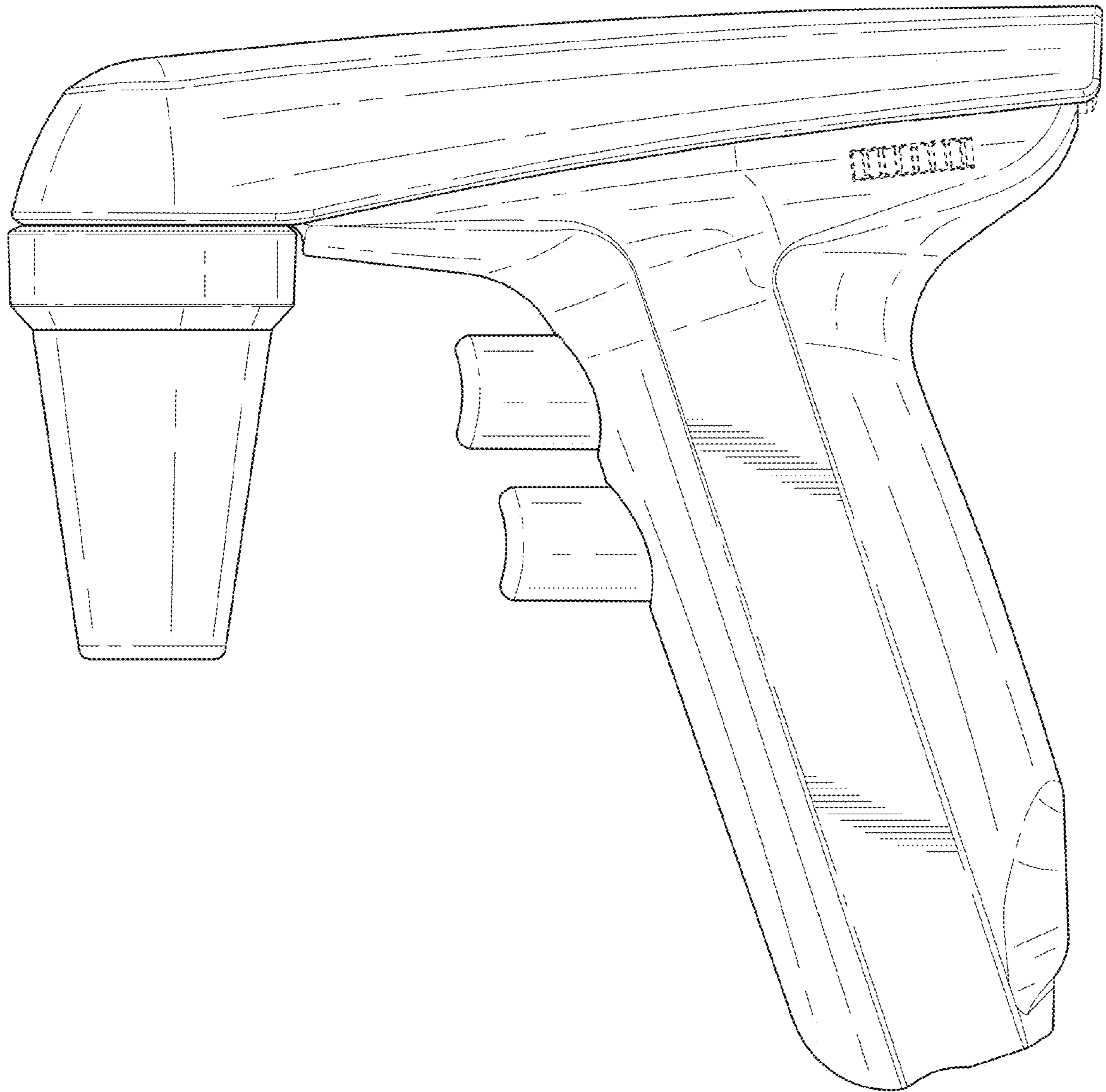


FIG. 6



FIG. 7