



US0D1001129S

(12) **United States Design Patent**
Chen et al.

(10) **Patent No.:** **US D1,001,129 S**

(45) **Date of Patent:** **** Oct. 10, 2023**

(54) **MOUSE**

(71) Applicant: **Acer Incorporated**, New Taipei (TW)

(72) Inventors: **Wei-Chang Chen**, New Taipei (TW);
Jung-Wei Tsao, New Taipei (TW)

(73) Assignee: **Acer Incorporated**, New Taipei (TW)

(**) Term: **15 Years**

(21) Appl. No.: **29/828,201**

(22) Filed: **Feb. 24, 2022**

(30) **Foreign Application Priority Data**

Nov. 19, 2021 (TW) 110306308

(51) **LOC (14) Cl.** **14-03**

(52) **U.S. Cl.**
USPC **D14/402**

(58) **Field of Classification Search**

USPC D14/402-411, 356, 388, 389, 383-385,
D14/417, 426; 345/156-167; 463/36-38;
358/471, 473; 273/148 B

CPC G06F 3/03543; G06F 2203/0333; G06F
3/039; G06F 3/038; G06F 2203/0384

See application file for complete search history.

(56) **References Cited**

U.S. PATENT DOCUMENTS

D313,981 S * 1/1991 Yang D14/410
D326,848 S * 6/1992 Shiraiishi D14/410

D354,484 S * 1/1995 Skaggs D14/410
D617,324 S * 6/2010 Fang D14/402
D627,355 S * 11/2010 Blanchard D14/402
D640,257 S * 6/2011 Lee D14/410
D684,577 S * 6/2013 Lee D14/402
D697,914 S * 1/2014 Bates D14/402
D865,767 S * 11/2019 Pang D14/402
D904,409 S * 12/2020 Xu D14/410
D943,580 S * 2/2022 Liu D14/402
D970,503 S * 11/2022 Chong D14/402

* cited by examiner

Primary Examiner — Austin Murphy

(74) *Attorney, Agent, or Firm* — JCIPRNET

(57) **CLAIM**

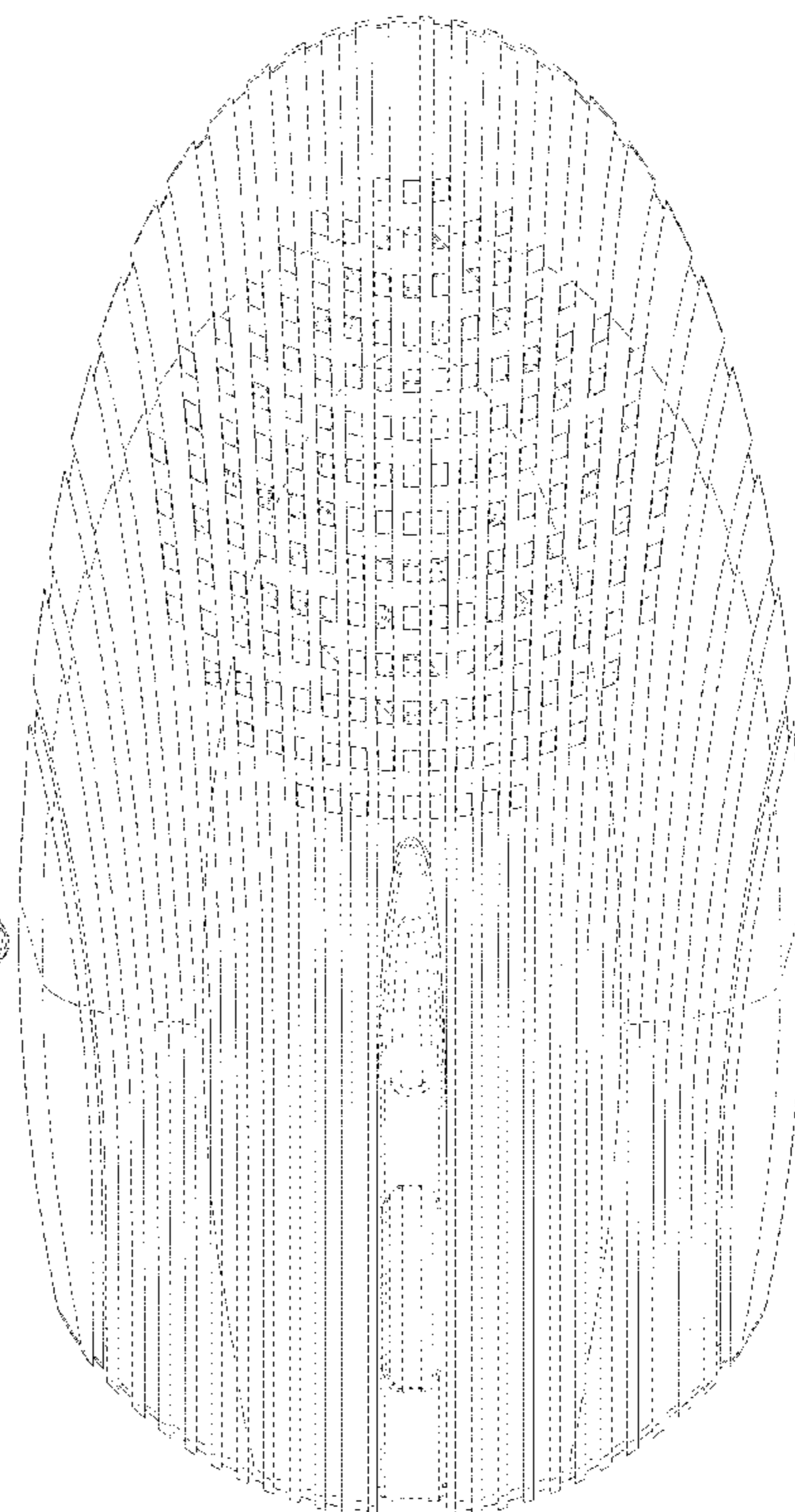
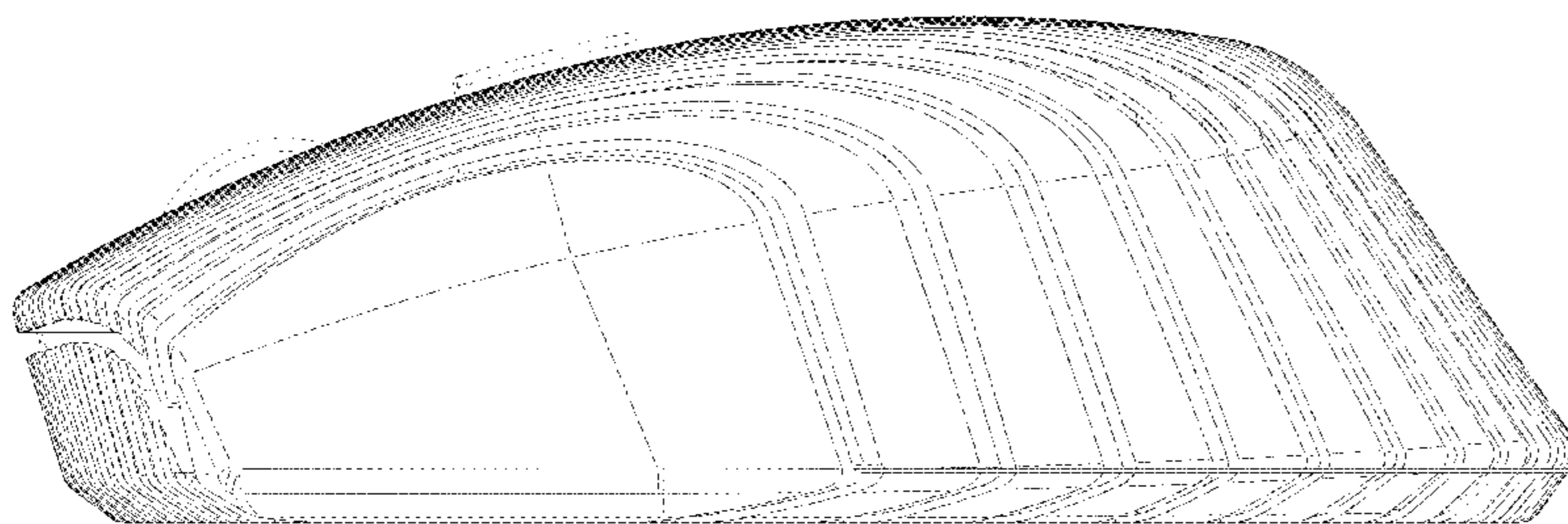
The ornamental design for a mouse, as shown and described.

DESCRIPTION

FIG. 1 is a perspective view of a mouse showing our new design;
FIG. 2 is another perspective view thereof;
FIG. 3 is a front view thereof;
FIG. 4 is a rear view thereof;
FIG. 5 is a left side view thereof;
FIG. 6 is a right side view thereof;
FIG. 7 is a top view thereof; and,
FIG. 8 is a bottom view thereof.

The dashed broken lines illustrate portions of the mouse that form no part of the claimed design.

1 Claim, 8 Drawing Sheets



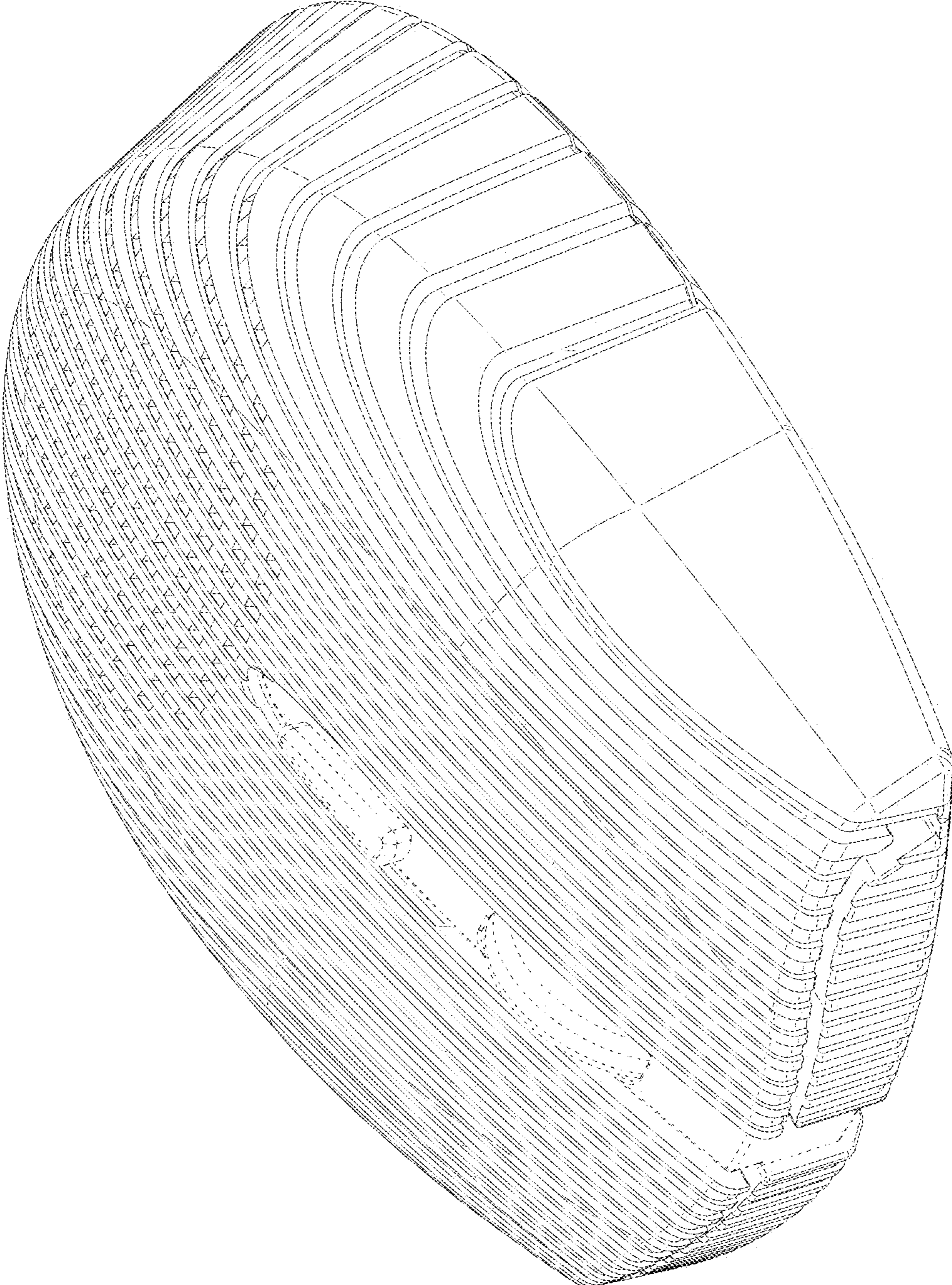


FIG. 1

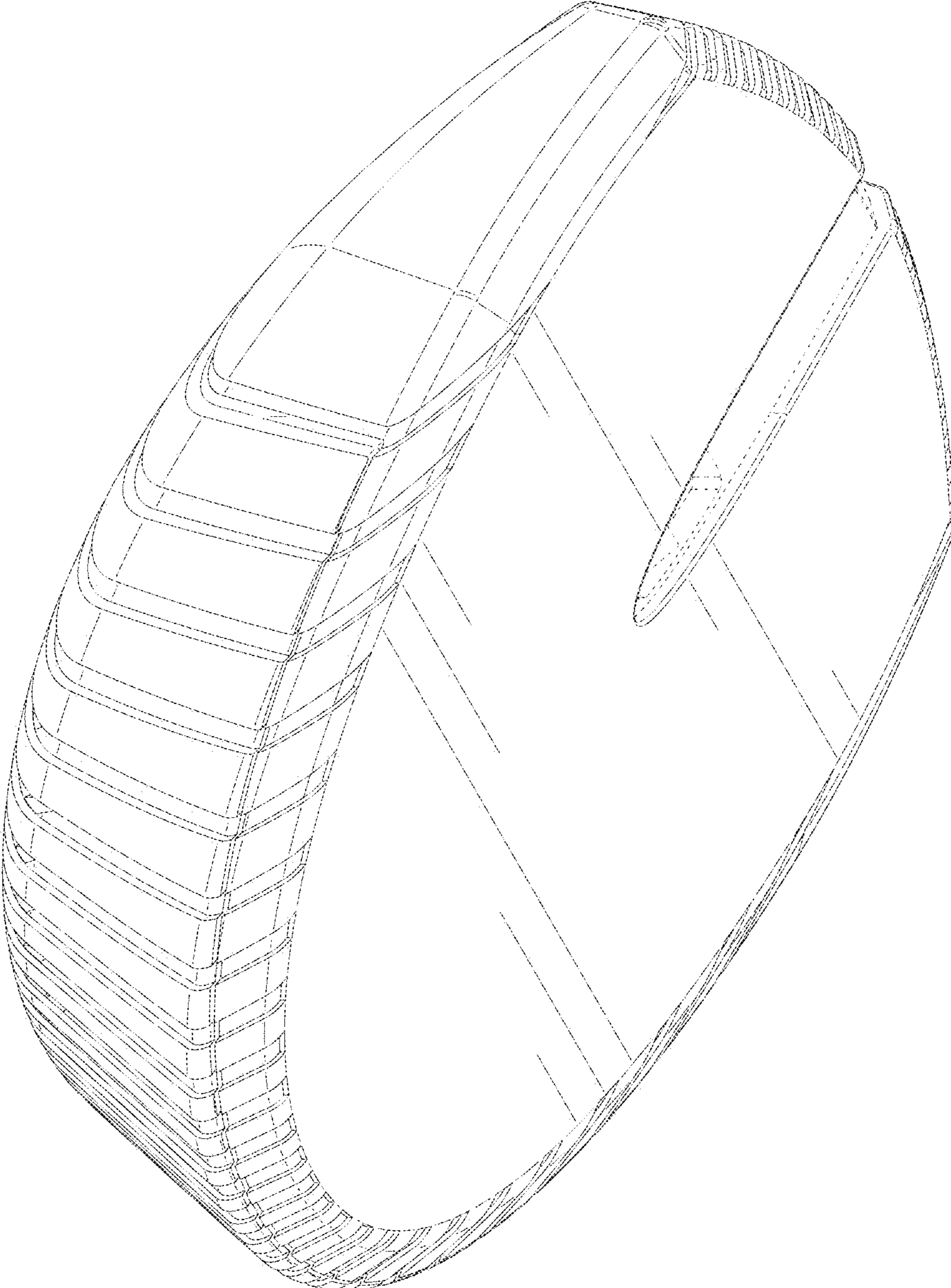


FIG. 2

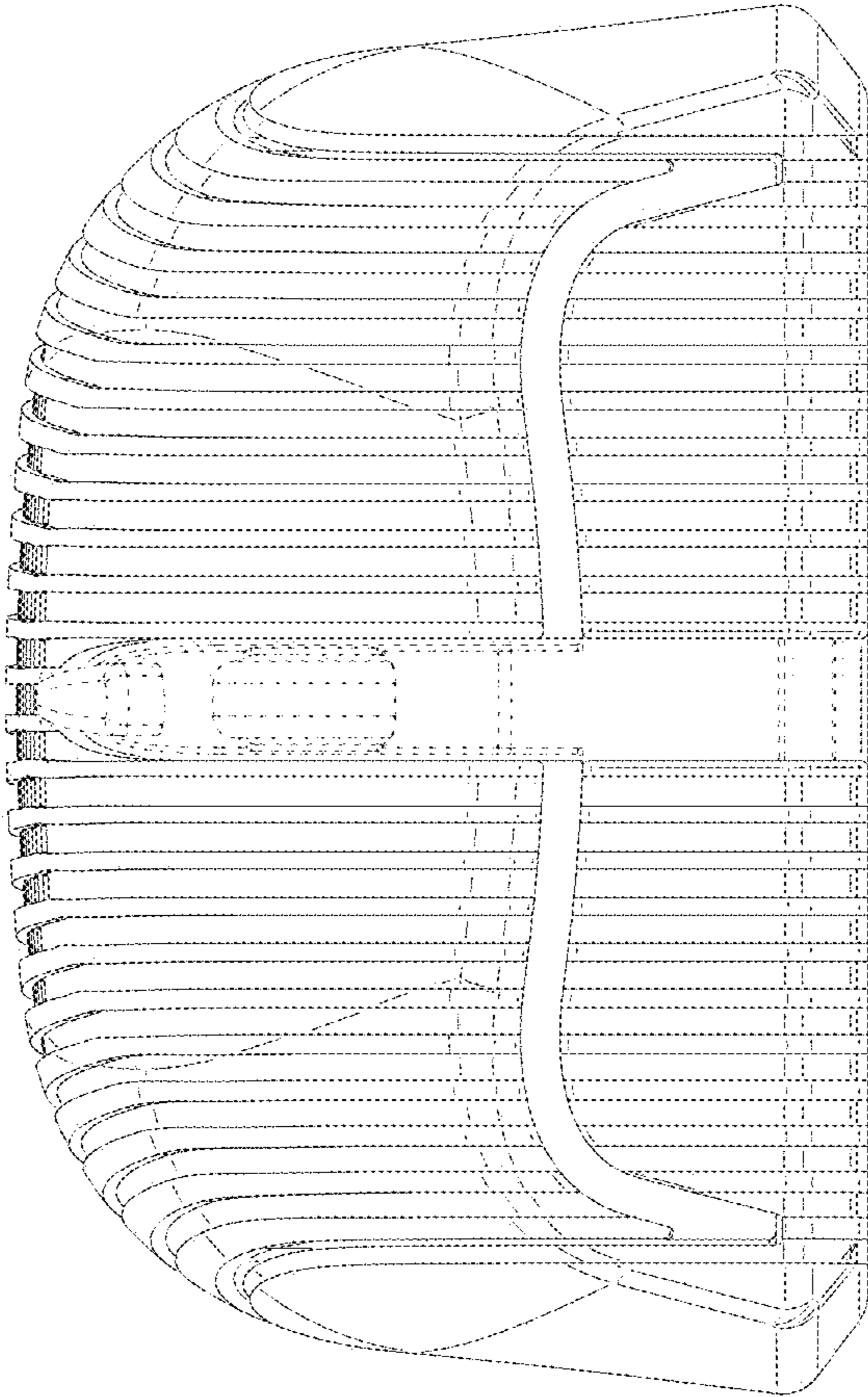


FIG. 3

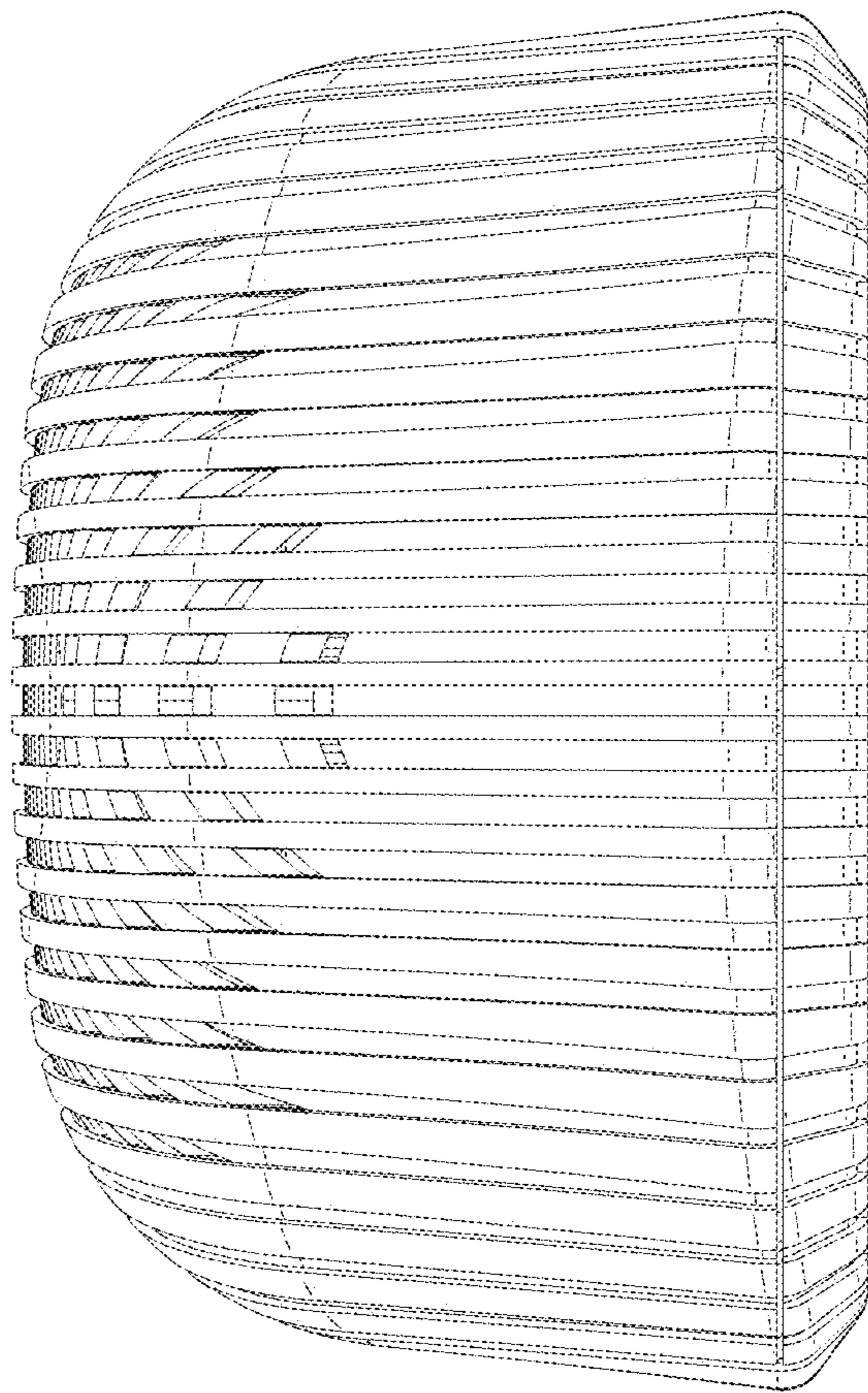


FIG. 4

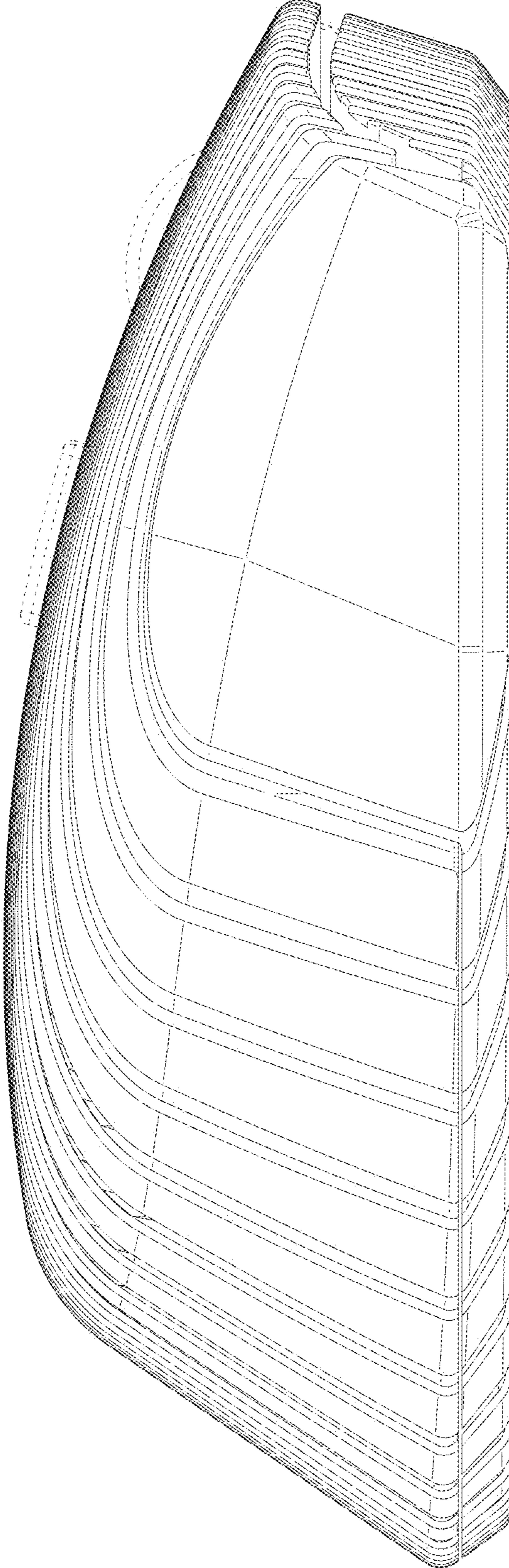


FIG. 5

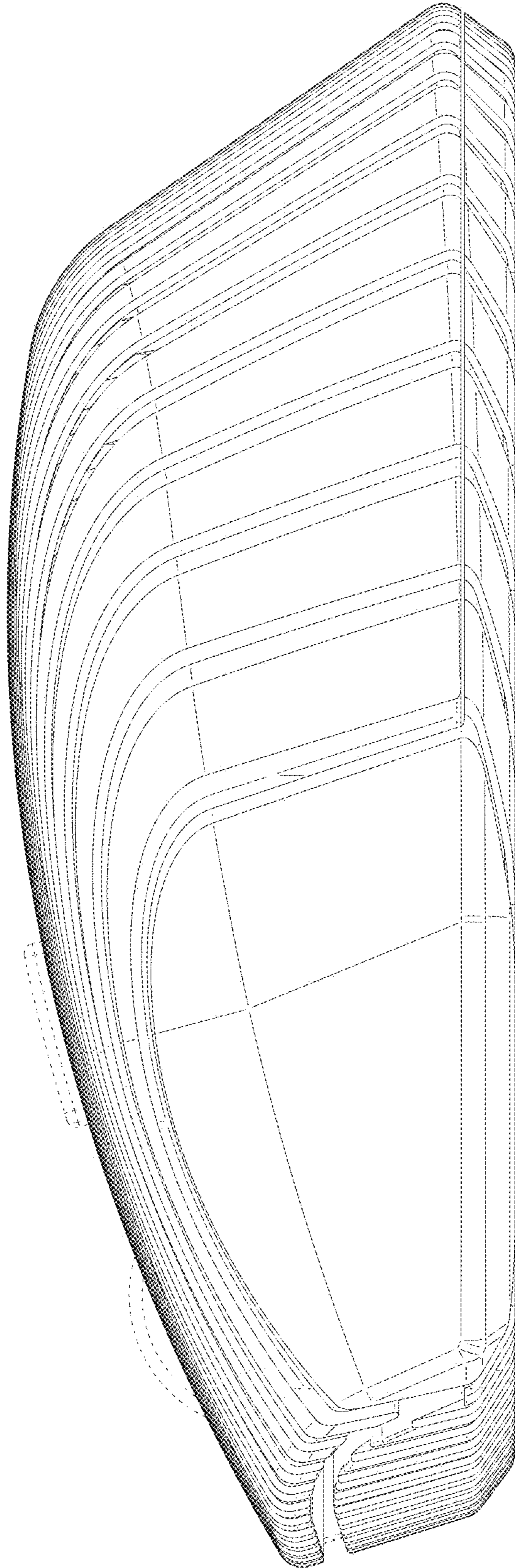


FIG. 6

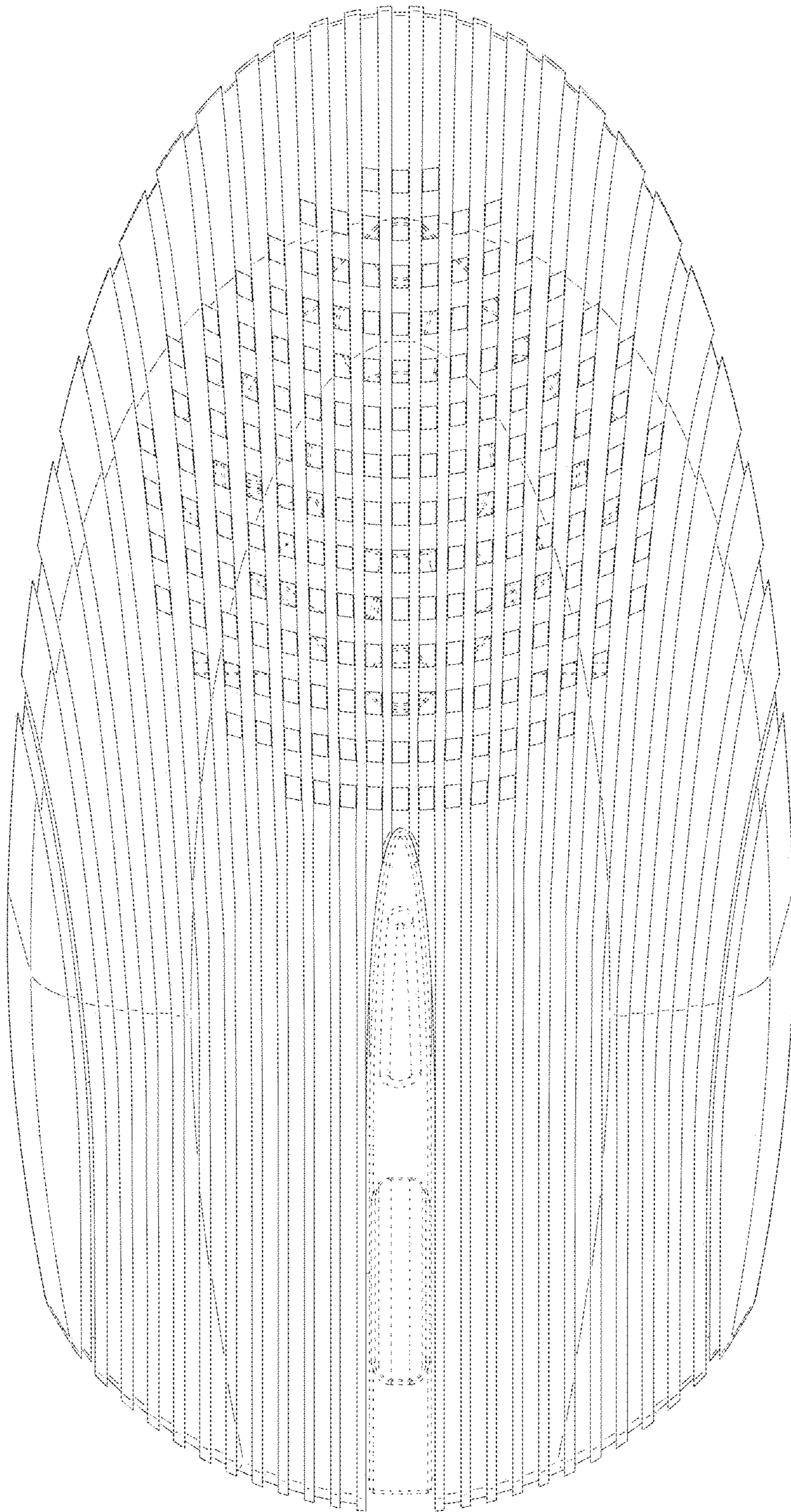


FIG. 7

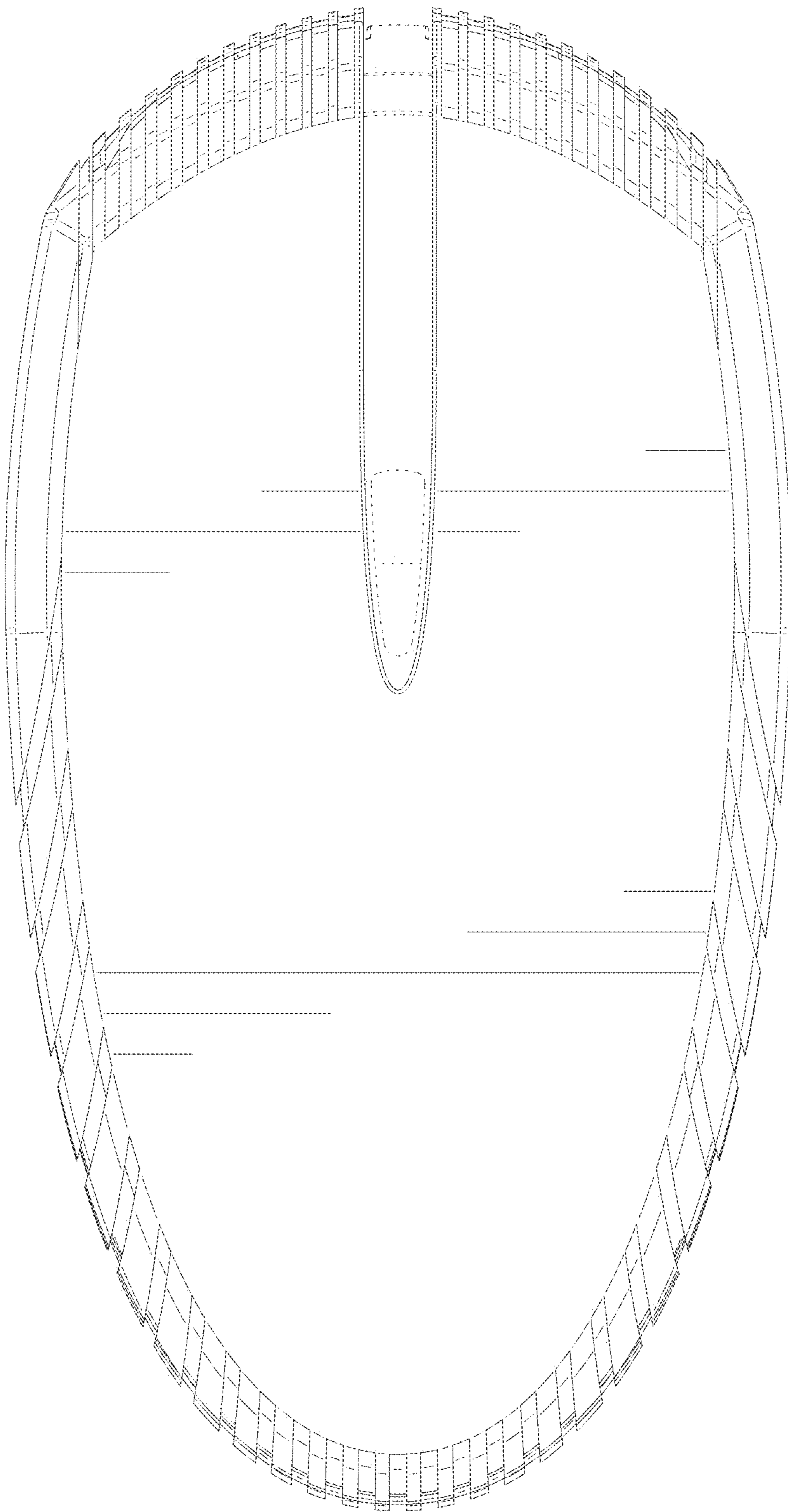


FIG. 8