



US0D1001118S

(12) **United States Design Patent**
Zhang

(10) **Patent No.:** **US D1,001,118 S**

(45) **Date of Patent:** **** Oct. 10, 2023**

(54) **CASE FOR MOBILE TELEPHONE**

(71) Applicant: **Guangzhou Eastmate Plastic Product Co., Ltd., Guangzhou (CN)**

(72) Inventor: **Yiqiang Zhang, Guangdong (CN)**

(**) Term: **15 Years**

(21) Appl. No.: **35/514,768**

(22) Filed: **Jul. 4, 2022**

(80) **Hague Agreement Data**

Int. Filing Date: **Jul. 4, 2022**
Int. Reg. No.: **DM/222116**
Int. Reg. Date: **Jul. 4, 2022**
Int. Reg. Pub. Date: **Jul. 22, 2022**

(30) **Foreign Application Priority Data**

May 23, 2022 (CN) 202230306968.2

(51) **LOC (14) Cl.** **14-03**

(52) **U.S. Cl.**
USPC **D14/250**

(58) **Field of Classification Search**

USPC D3/201, 218, 247, 249, 269, 303, 327,
D3/328; D14/215, 217, 232, 243, 248,
D14/249, 250-253, 432, 440; D13/107,
D13/108, 118, 119
CPC H04B 1/3888; H04M 1/0283; H04M
1/0202; A45F 2005/028; A45F 2200/0525
See application file for complete search history.

(56) **References Cited**

U.S. PATENT DOCUMENTS

D726,170 S * 4/2015 Ng D14/250
D863,286 S * 10/2019 Hong D14/250
D868,053 S * 11/2019 Gao D14/250
D923,616 S * 6/2021 Xie D14/250
D941,282 S * 1/2022 Bai D14/250

D947,166 S * 3/2022 Mi D14/250
D951,242 S * 5/2022 Lin D14/250
D961,575 S * 8/2022 Liu D14/250
D962,919 S * 9/2022 Luo D14/250
D974,345 S * 1/2023 Zeng D14/250
D976,889 S * 1/2023 Zhang D14/250
D983,187 S * 4/2023 Ma D14/250

OTHER PUBLICATIONS

iDLike designed for iPhone 14 Pro Max Case, publicaiton date Aug. 24, 2022, [online] URL: <https://www.amazon.com/Designed-Military-Protection-Protective-Shockproof/dp/B0BBR2Z4W3> (Year: 2022).*

* cited by examiner

Primary Examiner — L. A. Grabenstetter

(57) **CLAIM**

The ornamental design for a case for mobile telephone, as shown and described.

DESCRIPTION

1. Case for mobile telephone

1.1: Front View

1.2: Rear View

1.3: Left View

1.4: Right View

1.5: Top View

1.6: Bottom View

1.7: Front Perspective View

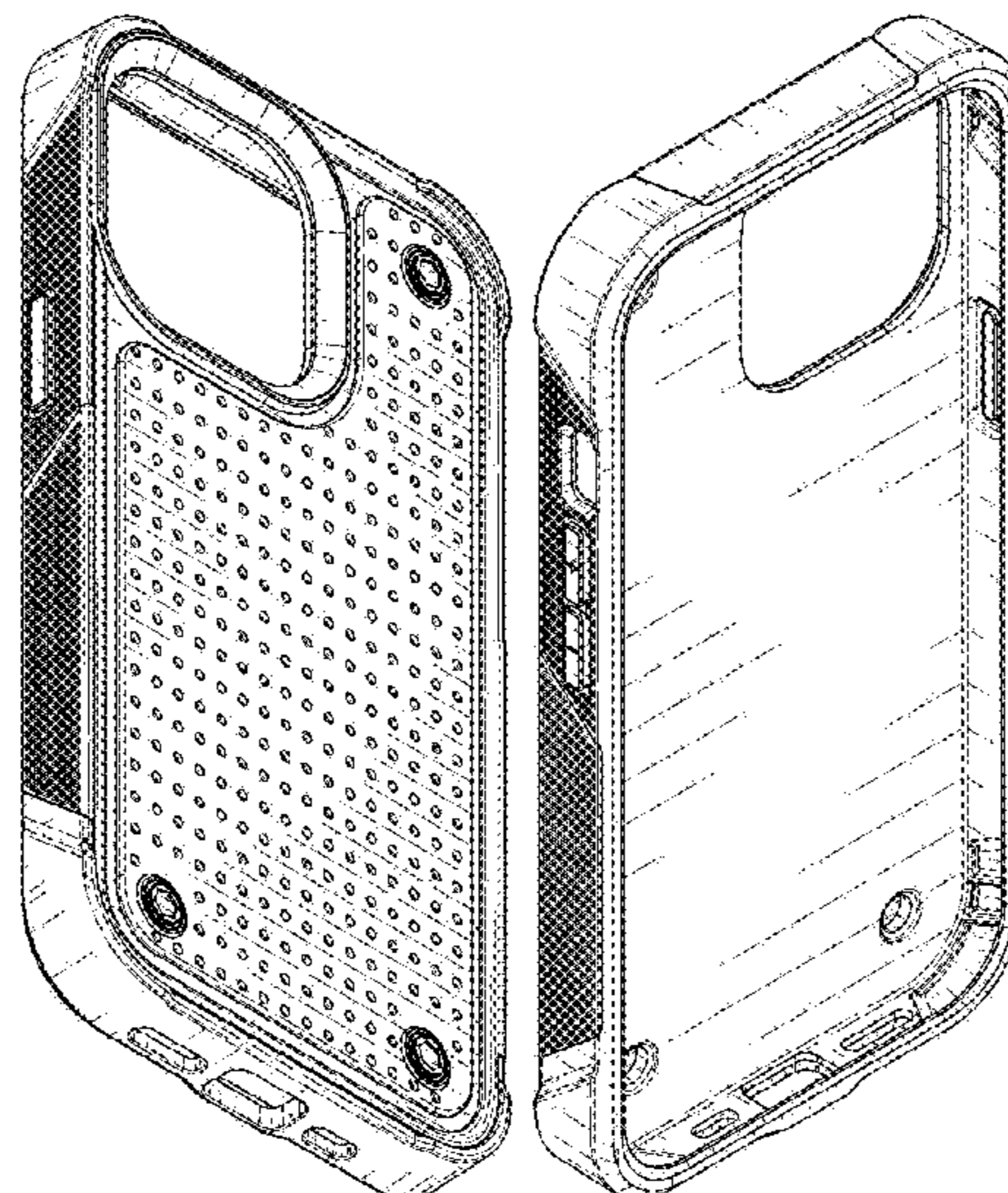
1.8: Rear Perspective View

1.9: Partial Enlarged View

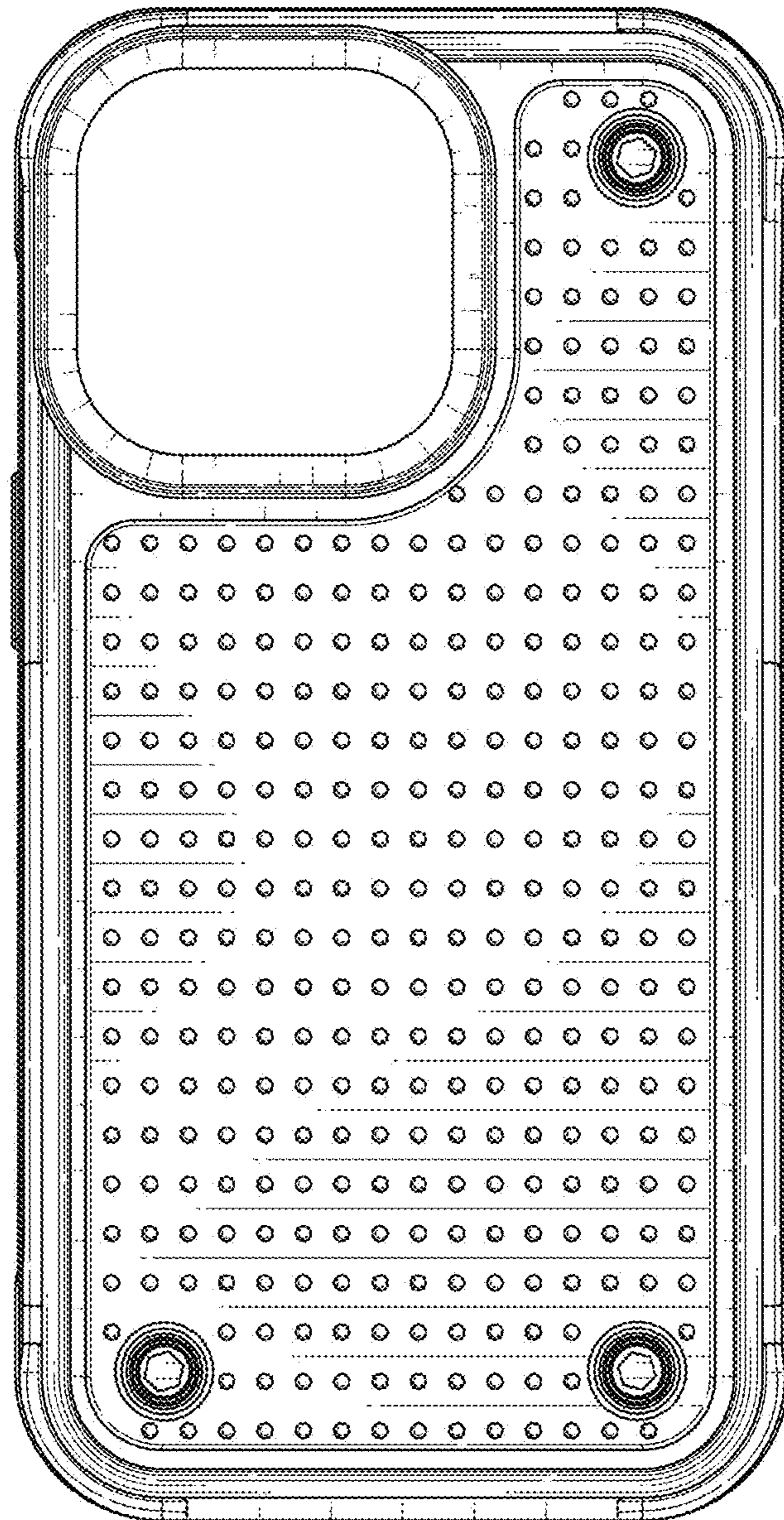
1.10: Partial Enlarged View

Fig. 1.9 is an enlarged view of the corresponding portion of fig. 1.3 outlined by a dot-dash broken line; Fig. 1.10 is an enlarged view of the corresponding portion of fig. 1.4 outlined by a dot-dash broken line; The dot-dash broken lines in figs. 1.3, 1.4, 1.9 and 1.10 delineate portions of the claimed design that are shown on an enlarged scale in figs. 1.9 and 1.10, and form no part of the claimed design.

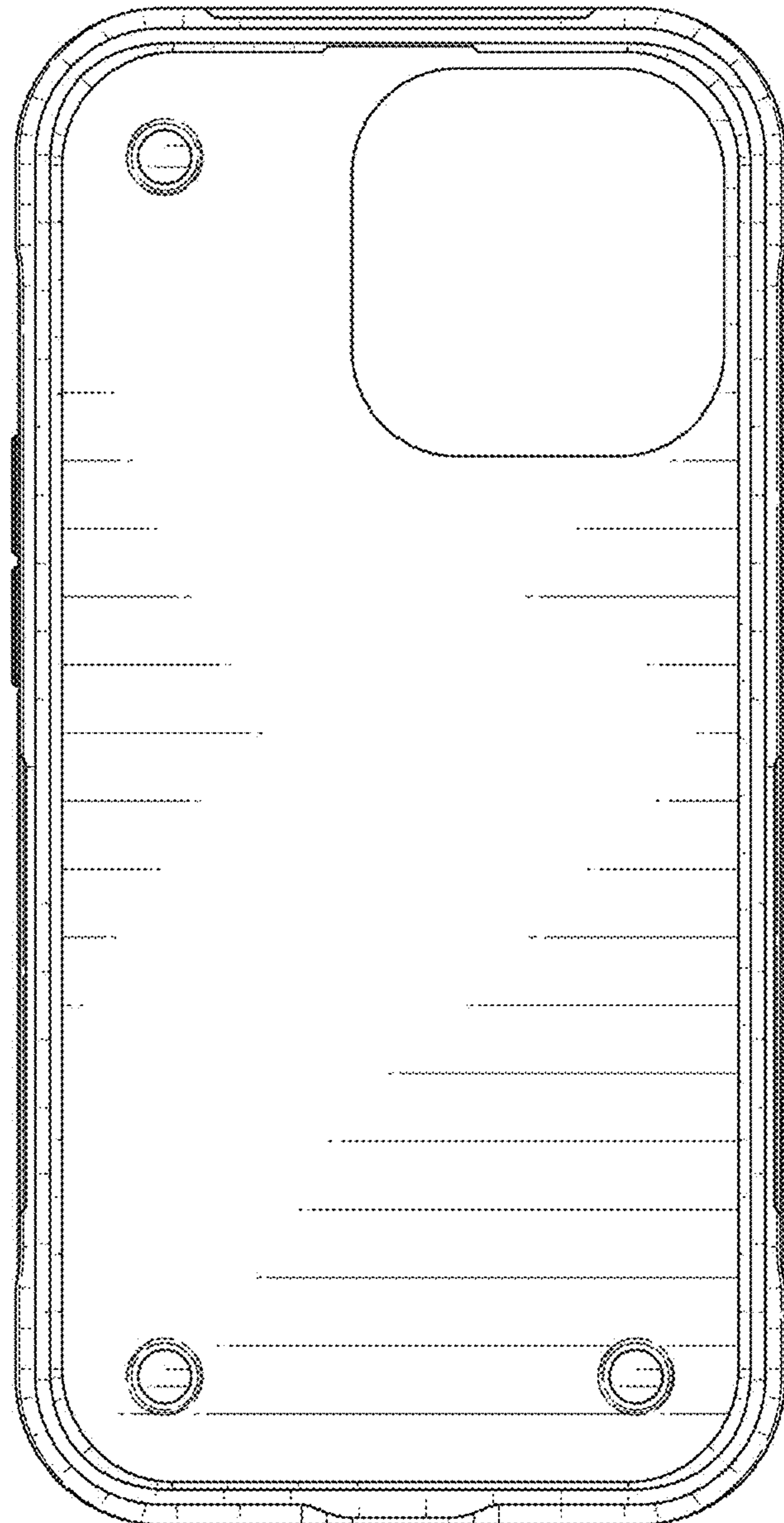
1 Claim, 10 Drawing Sheets



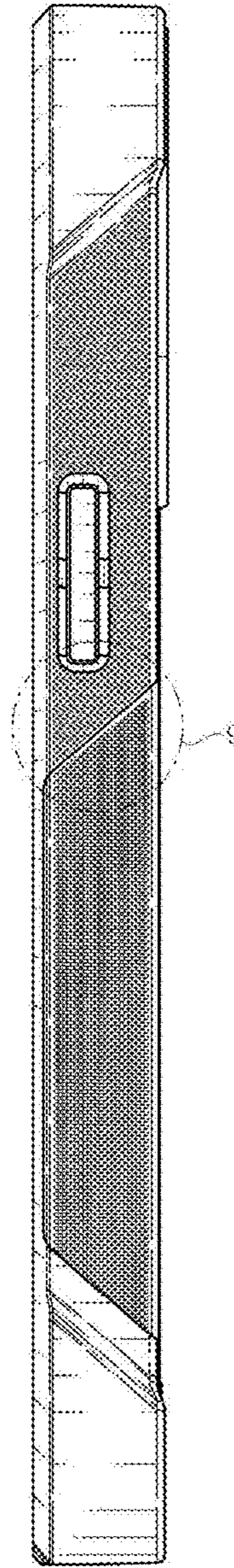
1.1



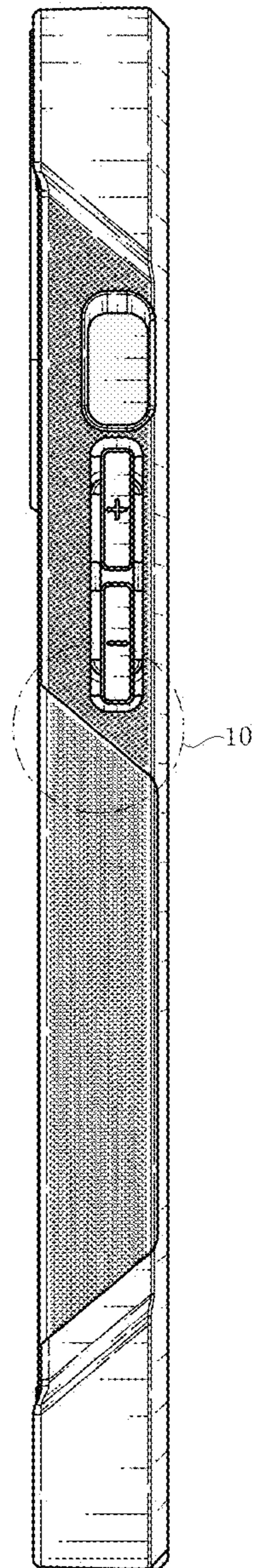
1.2



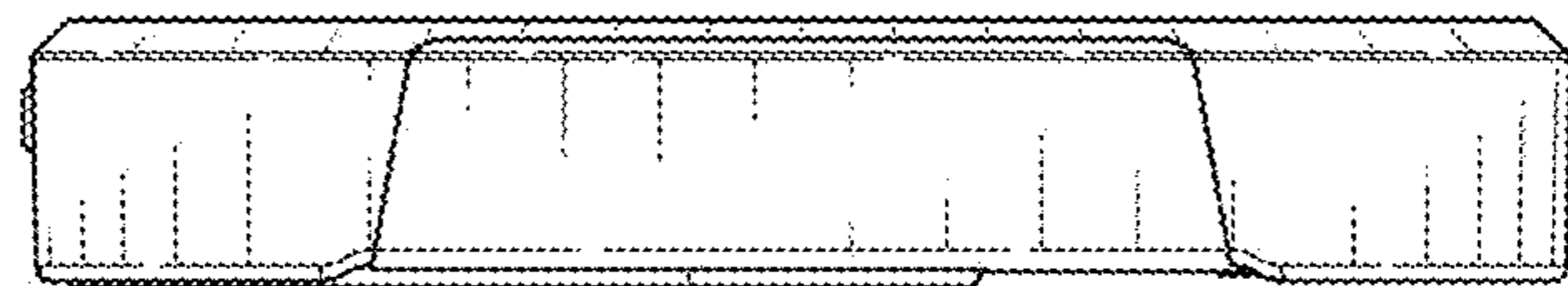
1.3



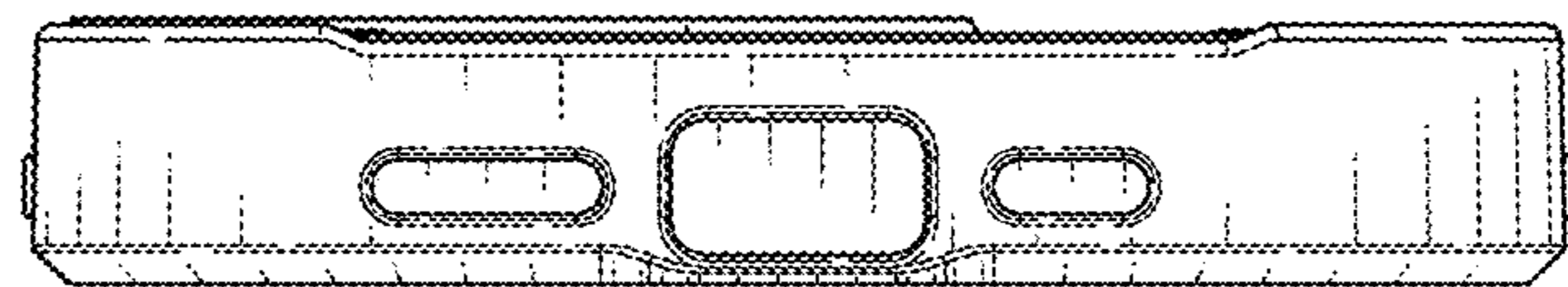
1.4



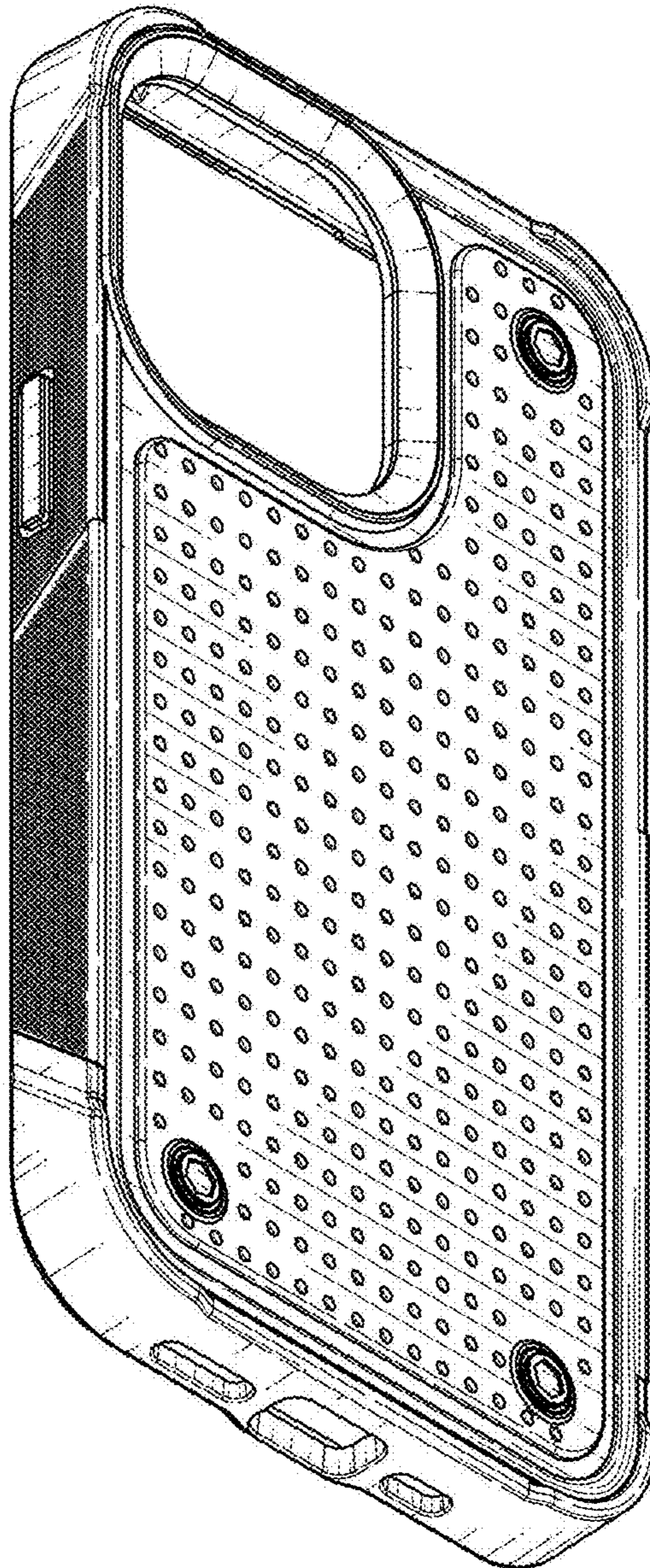
1.5



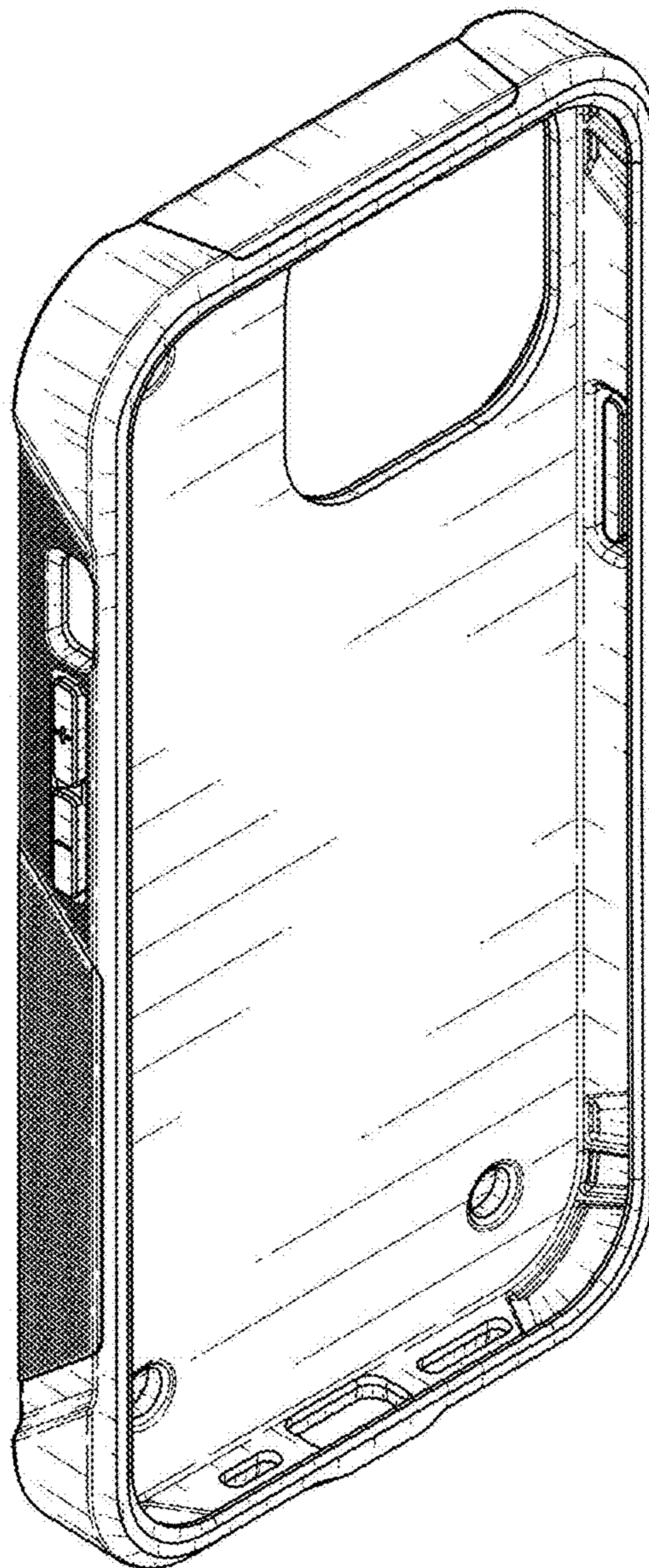
1.6



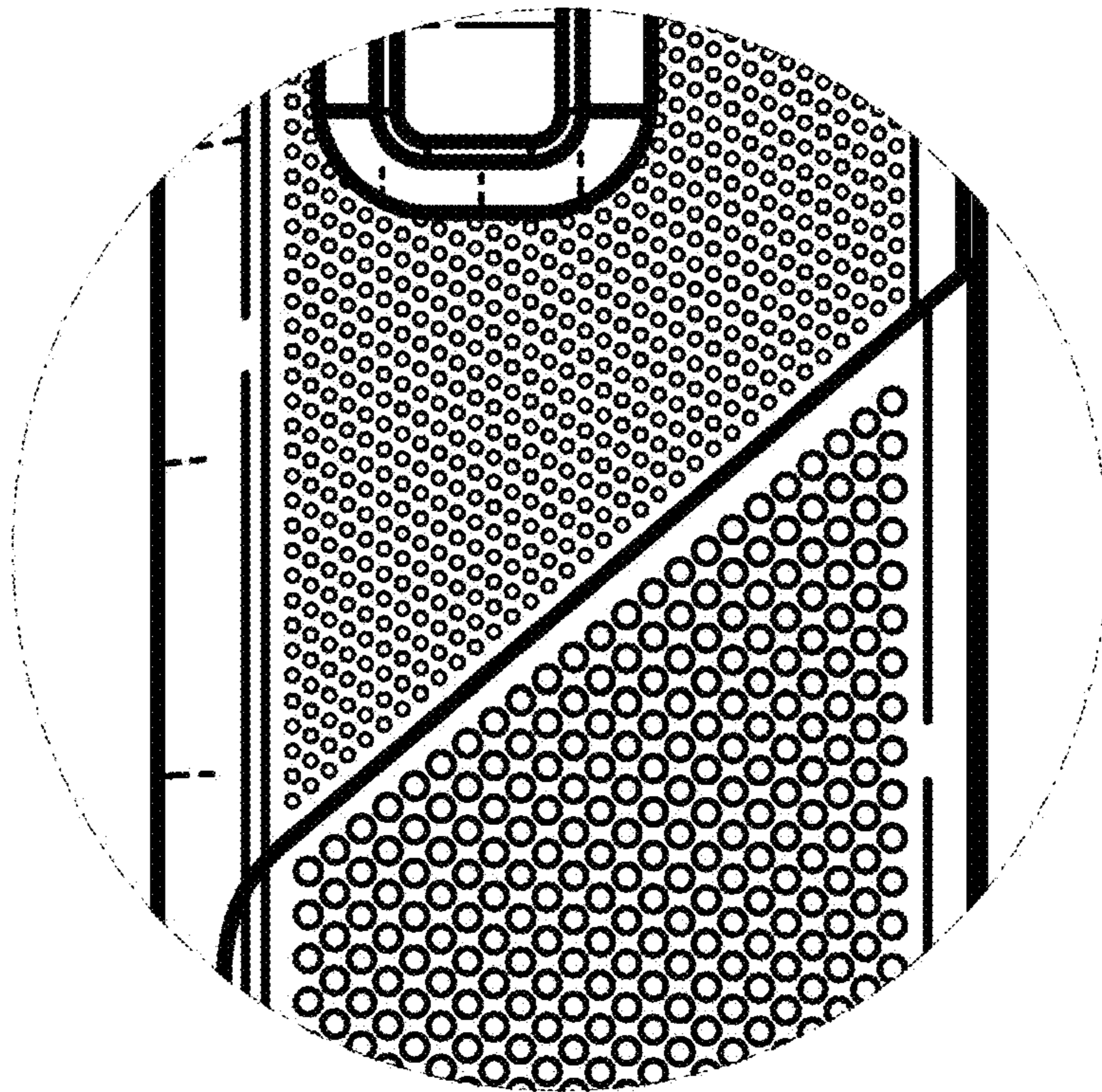
1.7



1.8



1.9



1.10

