



US0D1000950S

(12) **United States Design Patent** (10) **Patent No.:** **US D1,000,950 S**
Bishop et al. (45) **Date of Patent:** **** Oct. 10, 2023**

(54) **BATTERY PACKAGE**
 (71) Applicant: **Pale Blue Earth Inc**, Park City, UT (US)
 (72) Inventors: **Thomas Bishop**, Park City, UT (US);
Jeffrey Earl, Park City, UT (US);
Kevin Horsburgh, Park City, UT (US);
David Vogt, Park City, UT (US)

D451,015 S * 11/2001 Otto D9/415
 D458,125 S * 6/2002 Tachikawa D9/415
 D479,126 S * 9/2003 Kumakura D9/415
 D631,371 S * 1/2011 Borgheim D9/415
 D703,268 S * 4/2014 Harvey Pennaz D19/86
 D880,288 S * 4/2020 Baker D9/415
 11,001,430 B2 * 5/2021 Stewart B65D 75/525
 D974,162 S * 1/2023 Burdick D9/415
 D987,409 S * 5/2023 Gibbs D9/452

(**) Term: **15 Years**

(21) Appl. No.: **29/826,975**

(22) Filed: **Feb. 16, 2022**

(51) **LOC (14) Cl.** **09-03**

(52) **U.S. Cl.**
USPC **D9/415**

(58) **Field of Classification Search**
USPC D9/414-420, 452; D19/86
CPC B65D 75/54; B65D 75/004; B65D 75/525
See application file for complete search history.

(56) **References Cited**

U.S. PATENT DOCUMENTS

3,757,937 A * 9/1973 Weinstein B65D 75/004
 53/442
 4,723,656 A * 2/1988 Kiernan B65D 75/54
 429/93
 D306,404 S * 3/1990 Hill D9/415
 D327,426 S * 6/1992 Karita D9/415
 5,188,231 A * 2/1993 Kivell B65D 75/54
 206/459.1
 D432,010 S * 10/2000 Etzel D9/415
 D433,936 S * 11/2000 Pirro D9/415
 D450,239 S * 11/2001 Otto D9/415

OTHER PUBLICATIONS

“Pale Blue . . . ” reference dated Mar. 10, 2023 found by RMS on the internet at: <https://www.mightyape.co.nz/product/pale-blue-earth-aa-usb-c-rechargeable-batteries-4-pack/36507281>.*

* cited by examiner

Primary Examiner — Rhea Shields
(74) *Attorney, Agent, or Firm* — Burbage Law, P.C.;
Jon-Michael Burbage

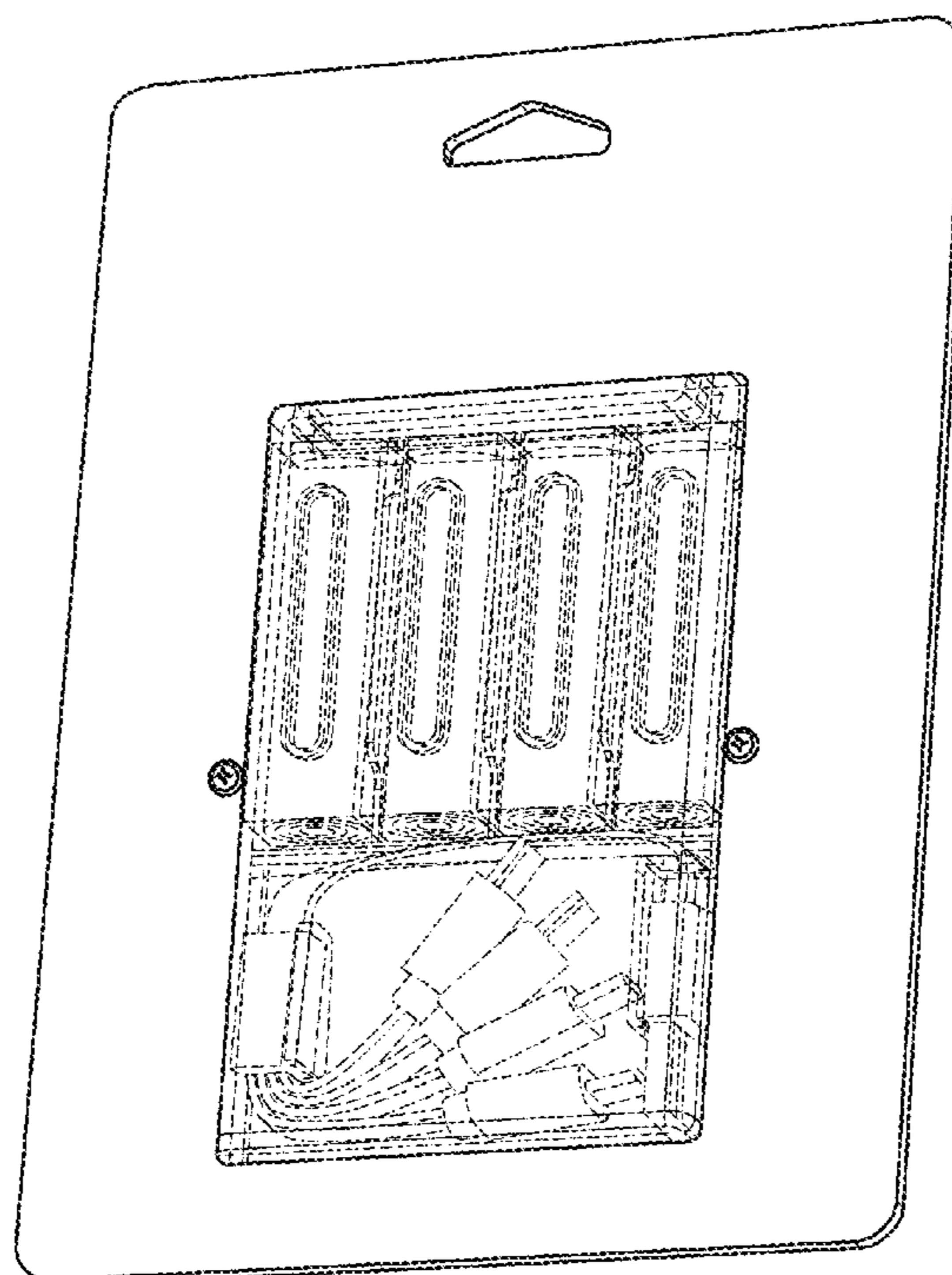
(57) **CLAIM**

The ornamental design for a battery package, as shown and described.

DESCRIPTION

FIG. 1 is a front perspective view of the battery package, showing our new design;
 FIG. 2 is a perspective view thereof;
 FIG. 3 is an exploded view thereof;
 FIG. 4 is a bottom exploded view thereof; and,
 FIG. 5 is a top view thereof.
 In the drawings, the broken lines are for the purpose of illustrating environment only that forms no part of the claimed design.

1 Claim, 5 Drawing Sheets



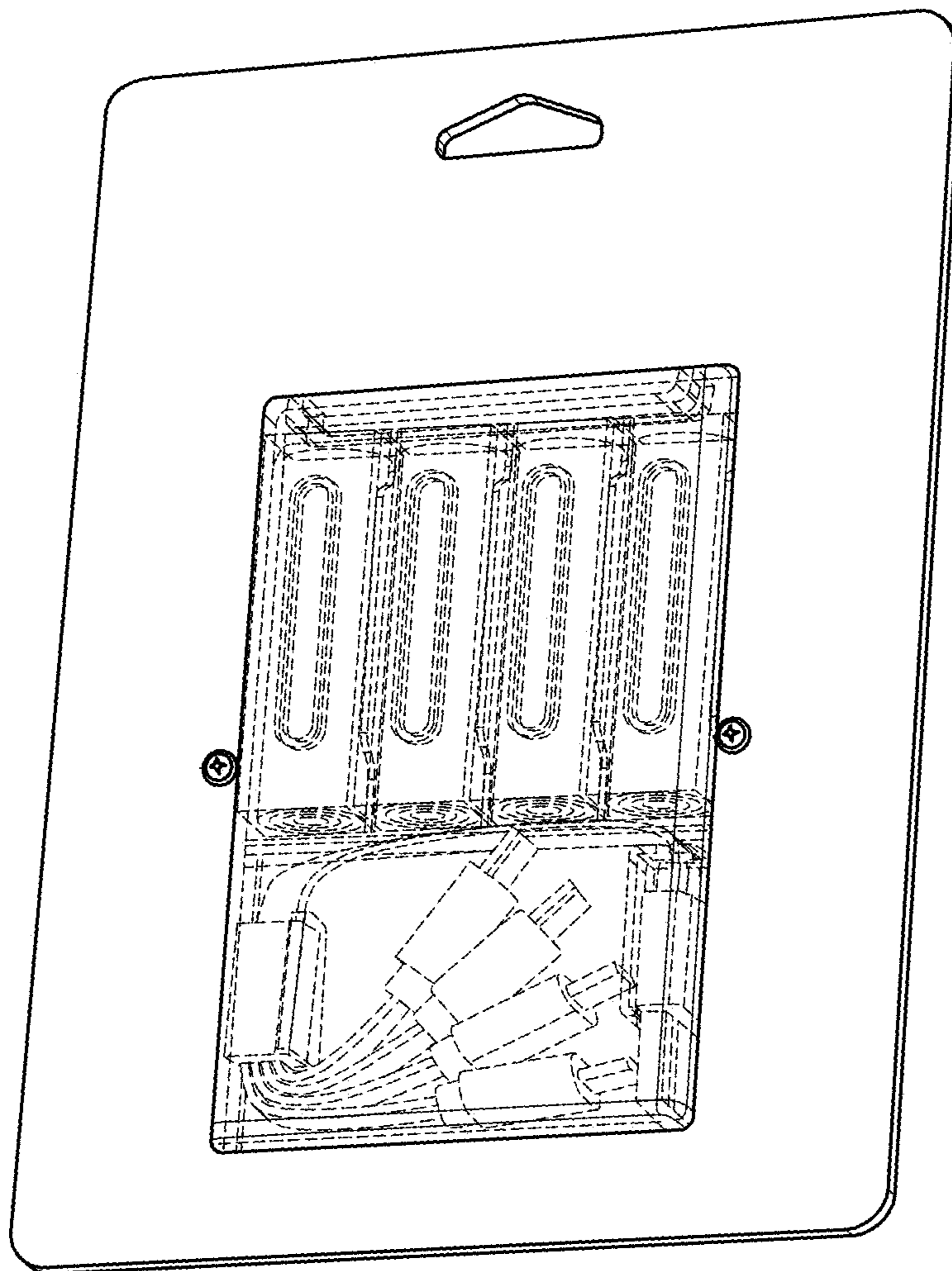


Fig. 1

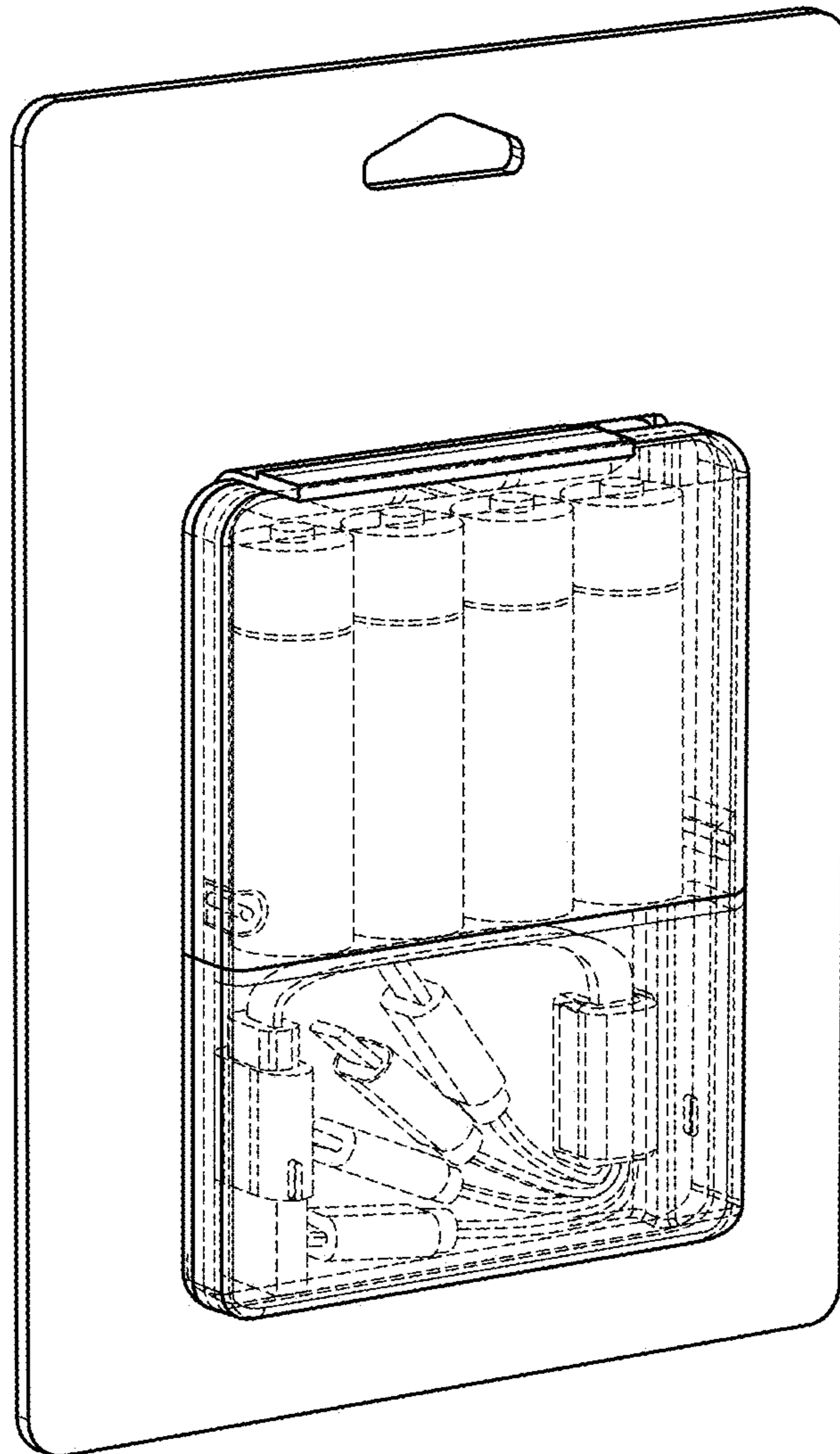


Fig. 2

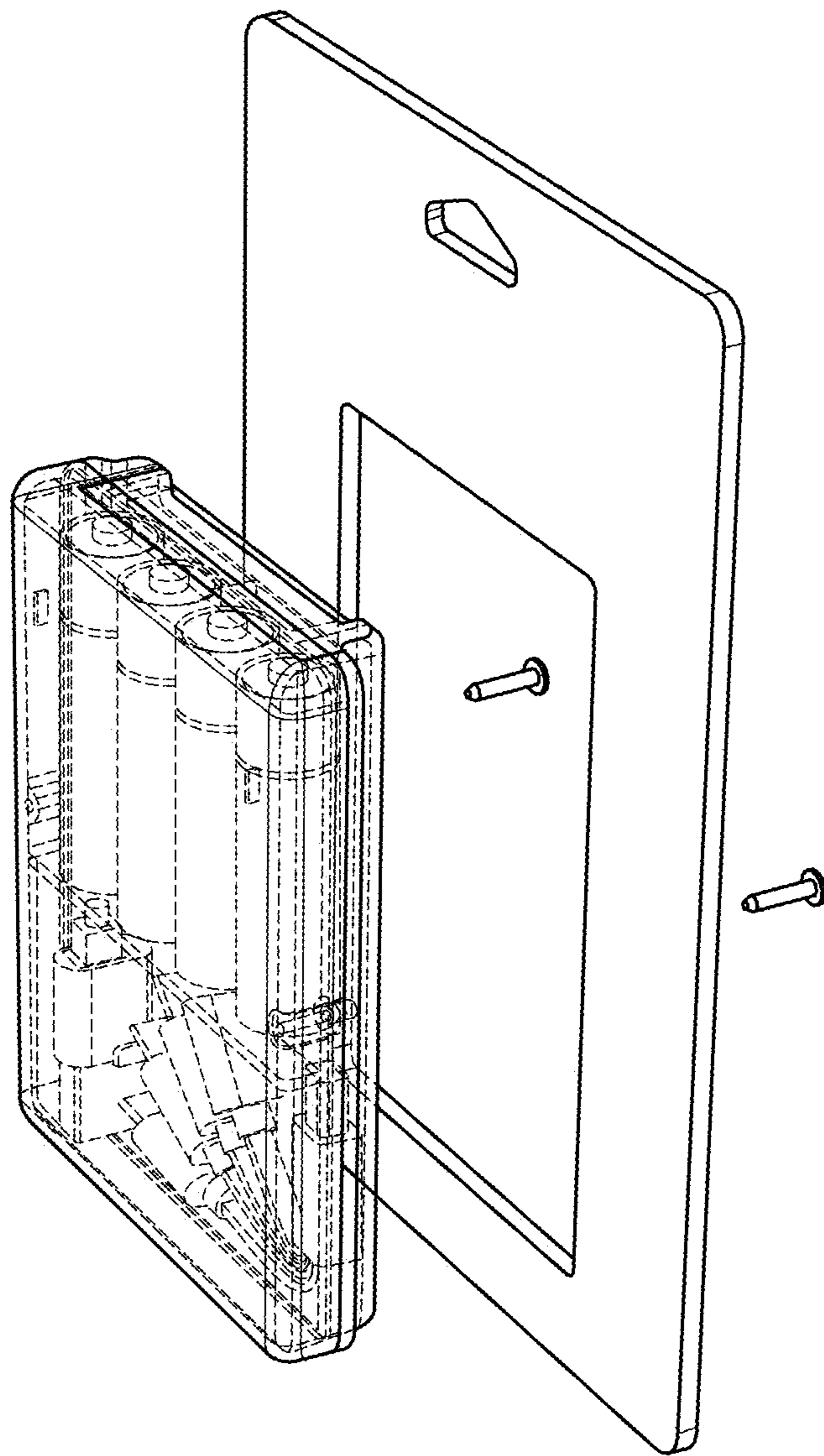


Fig. 3

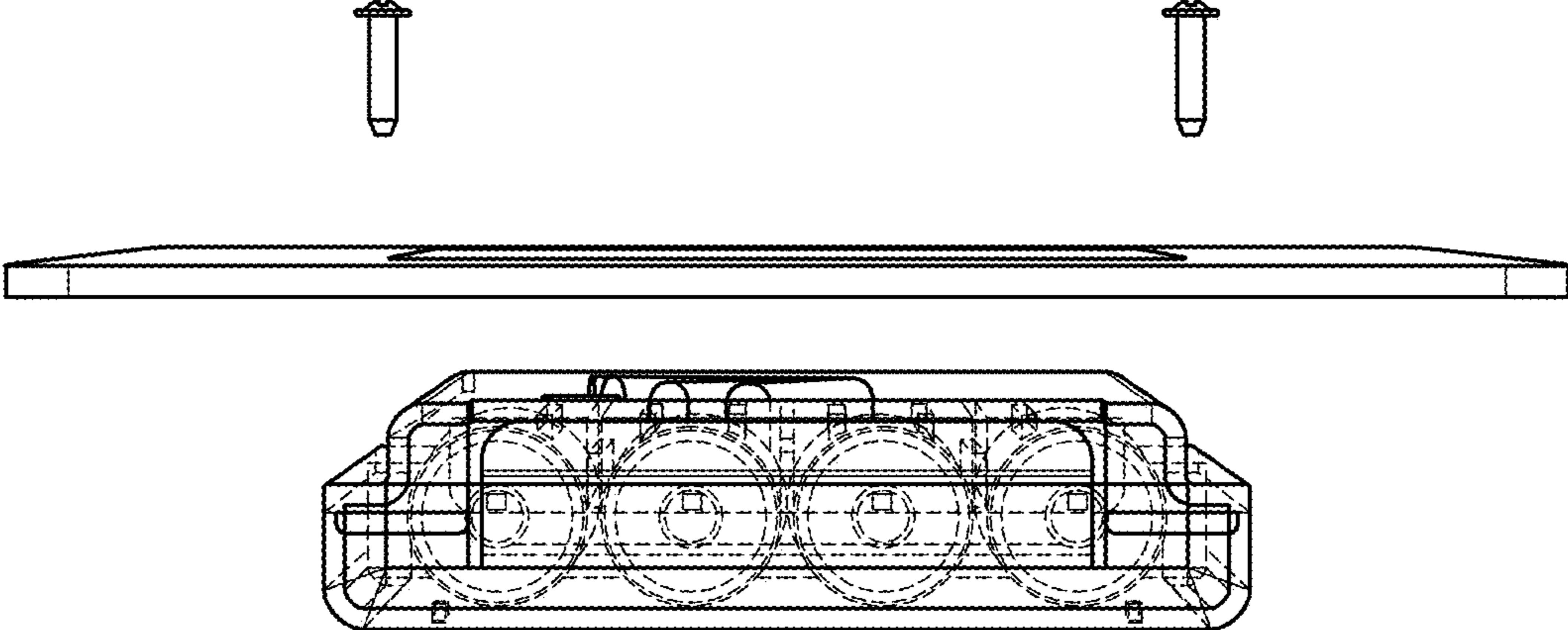


Fig. 4

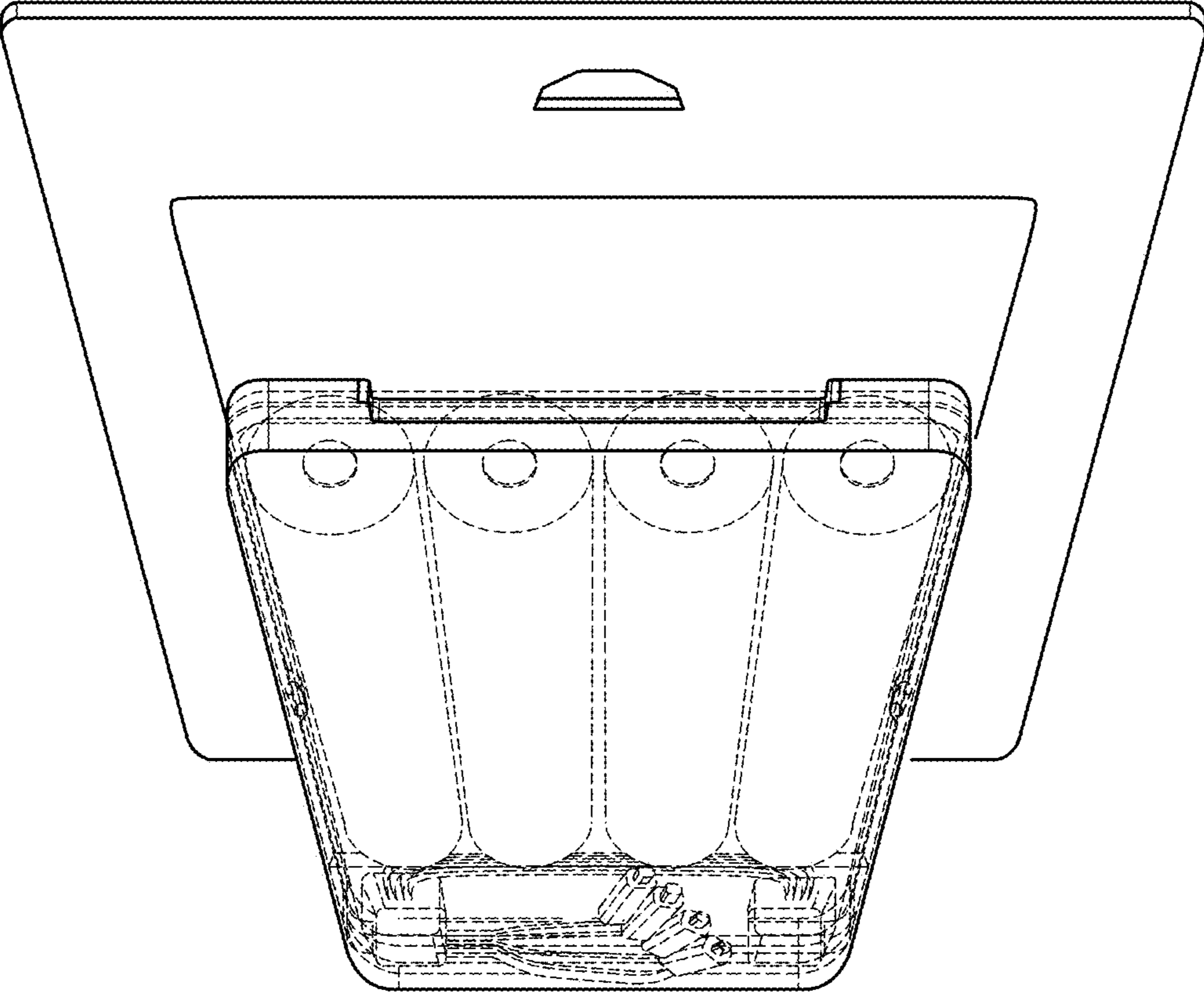


Fig. 5