



US0D1000922S

(12) **United States Design Patent** (10) **Patent No.:** **US D1,000,922 S**  
**Chen** (45) **Date of Patent:** **\*\* Oct. 10, 2023**

(54) **SWITCH KNOB FOR RATCHET WRENCH** 5,913,954 A \* 6/1999 Arnold ..... B25B 13/463  
81/62  
(71) Applicant: **Chia-Yu Chen**, Taichung (TW) 5,957,009 A \* 9/1999 McCann ..... B25B 13/462  
81/63

(72) Inventor: **Chia-Yu Chen**, Taichung (TW) (Continued)

(\*\*) Term: **15 Years**

FOREIGN PATENT DOCUMENTS

(21) Appl. No.: **29/765,386**

CN 306083881 \* 5/2020

(22) Filed: **Jan. 7, 2021**

OTHER PUBLICATIONS

(51) **LOC (14) Cl.** ..... **08-05**

(52) **U.S. Cl.**  
USPC ..... **D8/25**

(58) **Field of Classification Search**  
USPC ..... D8/25  
CPC .... B25B 13/463; B25B 13/465; B25B 13/462  
See application file for complete search history.

KD Tool KDT81099F Release Ratchet Repair Kit (1/4" Drive Non-Quick); KD Tool; Amazon.com; Apr. 18, 2014; Accessed Jul. 5, 2023; URL:<<https://www.amazon.com/KD-Tool-KDT81099F-Release-Non-Quick/dp/B007C6M74W>> (Year: 2014).\*

*Primary Examiner* — Sheryl Lane  
*Assistant Examiner* — Benjamin D. Wannemacher  
(74) *Attorney, Agent, or Firm* — Sinorica International Patent & Trademark

(56) **References Cited**

U.S. PATENT DOCUMENTS

- 4,528,873 A \* 7/1985 Lee ..... B25B 13/467  
81/63
- 4,566,356 A \* 1/1986 Herota ..... B25B 13/463  
81/62
- 4,791,837 A \* 12/1988 Main ..... B25B 23/16  
81/177.1
- 4,903,554 A \* 2/1990 Colvin ..... B25B 13/463  
81/63
- 4,934,220 A \* 6/1990 Slusar ..... B25B 13/463  
81/63
- 5,005,448 A \* 4/1991 Main ..... B25B 13/00  
81/177.1
- 5,152,196 A \* 10/1992 Garrett ..... B25B 13/461  
81/58.1
- 5,178,047 A \* 1/1993 Arnold ..... B25B 13/463  
81/62
- 5,522,288 A \* 6/1996 Slusar ..... B25B 13/463  
81/63
- 5,568,751 A \* 10/1996 Lee ..... B25B 13/465  
81/63
- 5,897,198 A \* 4/1999 Hsieh ..... B25B 23/18  
81/177.85

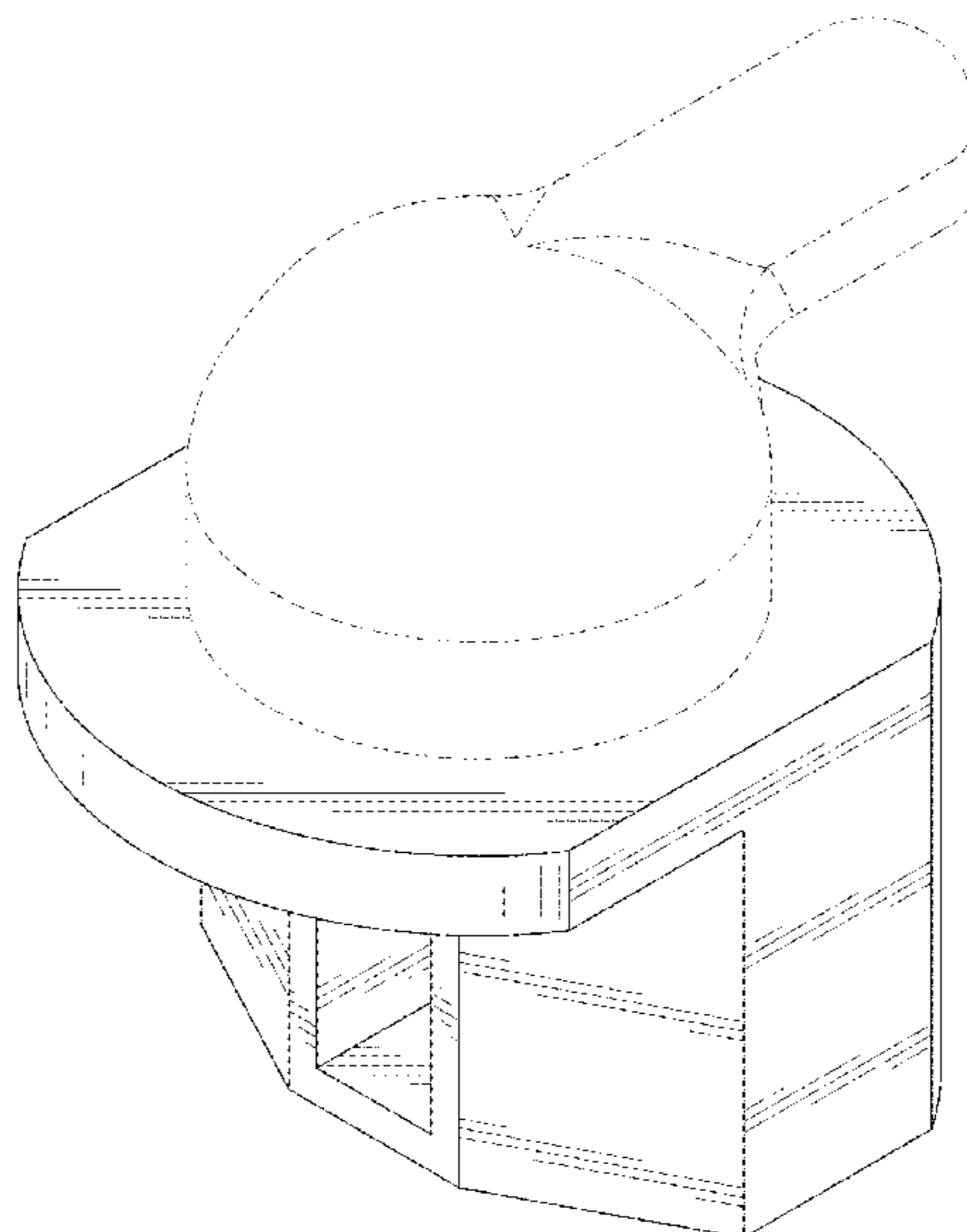
(57) **CLAIM**

The ornamental design for a switch knob for ratchet wrench, as shown and described.

**DESCRIPTION**

FIG. 1 is a top perspective view of a switch knob for ratchet wrench showing my new design;  
FIG. 2 is a front elevational view thereof;  
FIG. 3 is a rear elevational view thereof;  
FIG. 4 is a left side elevational view thereof;  
FIG. 5 is a right side elevational view thereof;  
FIG. 6 is a top plan view thereof;  
FIG. 7 is a bottom plan view thereof; and,  
FIG. 8 is a bottom perspective view thereof.  
The broken lines are for the purpose of illustrating environmental structure and form no part of the claimed design.

**1 Claim, 8 Drawing Sheets**



(56)

References Cited

U.S. PATENT DOCUMENTS

6,138,532	A *	10/2000	McCann	.....	B25B 13/465	81/63	2006/0123954	A1 *	6/2006	Arnold	.....	B25B 13/463
6,260,448	B1 *	7/2001	Chaconas	.....	B25B 23/0035	81/63	2008/0229887	A1 *	9/2008	Thompson	.....	B25B 13/463
6,295,896	B1 *	10/2001	I-He	.....	B25B 13/463	81/177.85	2009/0301265	A1 *	12/2009	Hu	.....	B25B 13/465
6,345,559	B1 *	2/2002	Wang	.....	B25B 19/00	81/62	2012/0167723	A1 *	7/2012	Gapp	.....	B25B 13/48
6,382,052	B1 *	5/2002	Chen	.....	B25B 13/463	81/63	2013/0047791	A1 *	2/2013	Hsu	.....	B25B 23/0028
6,431,030	B1 *	8/2002	Kuo	.....	B25B 13/463	81/63	2013/0180817	A1 *	7/2013	Huang	.....	B25B 13/467
6,435,062	B1 *	8/2002	McCann	.....	B25B 13/463	81/63	2013/0228049	A1 *	9/2013	Shen	.....	B25B 13/463
6,575,060	B1 *	6/2003	Tseng	.....	B25B 13/463	81/62	2013/0291688	A1 *	11/2013	Hu	.....	B25B 13/463
6,629,477	B2 *	10/2003	Ling	.....	B25B 13/463	81/63	2014/0208897	A1 *	7/2014	Kao	.....	B25B 13/463
6,918,323	B2 *	7/2005	Arnold	.....	B25B 13/463	81/63	2014/0224080	A1 *	8/2014	Lin	.....	B25B 13/463
6,918,477	B2 *	7/2005	Tuanmu	.....	B25B 13/463	192/43.1	2014/0366690	A1 *	12/2014	Lee	.....	B25B 23/0007
6,935,213	B2 *	8/2005	Shu-Sui	.....	B25B 13/463	81/63	2015/0298300	A1 *	10/2015	Liu	.....	F16D 41/16
6,971,287	B2 *	12/2005	Lee	.....	B25B 13/463	81/60	2016/0151895	A1 *	6/2016	Markiewicz	.....	B25B 23/141
7,114,415	B1 *	10/2006	Chiang	.....	B25B 13/463	81/60	2016/0167203	A1 *	6/2016	Chen	.....	B25B 13/463
7,162,937	B1 *	1/2007	Weng	.....	B25B 13/463	81/63	2016/0288299	A1 *	10/2016	Chi	.....	B25B 13/463
8,109,180	B2 *	2/2012	Hu	.....	B25B 13/463	81/60	2016/0375561	A1 *	12/2016	Chen	.....	B25B 13/463
D686,472	S *	7/2013	Chen	.....	D8/25	81/63	2017/0036325	A1 *	2/2017	Liao	.....	B25B 13/463
8,631,723	B2 *	1/2014	Chang	.....	B25B 13/463	81/63	2017/0157755	A1 *	6/2017	Wang	.....	B25B 13/463
D708,920	S *	7/2014	Lee	.....	D8/21	81/63	2018/0029202	A1 *	2/2018	Chou	.....	B25B 13/04
9,114,510	B2 *	8/2015	Lee	.....	B25B 23/0007	81/60	2018/0036869	A1 *	2/2018	Kao	.....	B25B 13/463
9,522,460	B2 *	12/2016	Wang	.....	B25B 13/463	81/63	2018/0126519	A1 *	5/2018	Tsai	.....	B25B 13/463
D775,912	S *	1/2017	Chen	.....	B25B 13/463	81/63	2018/0200870	A1 *	7/2018	Shih	.....	B25B 13/463
10,618,146	B2 *	4/2020	Huang	.....	B25B 13/463	81/63.2	2018/0229349	A1 *	8/2018	Chen	.....	B25B 13/463
11,370,089	B2 *	6/2022	Lee	.....	B25B 23/0035	81/63	2018/0264632	A1 *	9/2018	Chen	.....	B25B 13/463
2003/0150299	A1 *	8/2003	Chen	.....	B25B 13/463	81/63.2	2018/0272504	A1 *	9/2018	Yang	.....	B25B 13/463
2003/0177872	A1 *	9/2003	Shu-Ying	.....	B25B 13/463	81/63.2	2019/0030689	A1 *	1/2019	Abel	.....	B25B 13/468
2004/0025645	A1 *	2/2004	Shu-Ying	.....	B25B 13/463	81/63	2019/0061112	A1 *	2/2019	Lai	.....	B25B 13/467
2004/0040419	A1 *	3/2004	Alford	.....	B25B 13/467	81/57.29	2019/0099865	A1 *	4/2019	Ou	.....	B25B 13/463
2004/0089111	A1 *	5/2004	Hsien	.....	B25B 13/463	81/63.2	2019/0134789	A1 *	5/2019	Lin	.....	B25B 23/0007
2005/0235782	A1 *	10/2005	Shen	.....	B25B 13/463	81/63.2	2019/0176299	A1 *	6/2019	Chan	.....	B25B 23/0007
2005/0235783	A1 *	10/2005	Shen	.....	B25B 13/463	81/63.2	2019/0337127	A1 *	11/2019	Huang	.....	B25B 13/463
2005/0257649	A1 *	11/2005	Chen	.....	B25B 13/463	81/60	2019/0344406	A1 *	11/2019	Chen	.....	B25B 13/463
2006/0090609	A1 *	5/2006	Chang	.....	B25B 13/463	81/63.2	2020/0269393	A1 *	8/2020	Chen	.....	B25B 23/0007
							2021/0023682	A1 *	1/2021	Ross	.....	B25B 13/463
							2021/0078141	A1 *	3/2021	Chen	.....	B25B 23/0007
							2021/0094154	A1 *	4/2021	Wypych	.....	B25B 23/0007
							2021/0107119	A1 *	4/2021	Chang	.....	B25B 23/0007
							2021/0138615	A1 *	5/2021	Hsieh	.....	B25B 13/463
							2021/0370480	A1 *	12/2021	Hsieh	.....	B25B 13/463
							2022/0097212	A1 *	3/2022	Chou	.....	B25B 13/463
							2022/0250212	A1 *	8/2022	Chen	.....	B25B 13/463
							2022/0331936	A1 *	10/2022	Shi	.....	B25B 13/463

\* cited by examiner

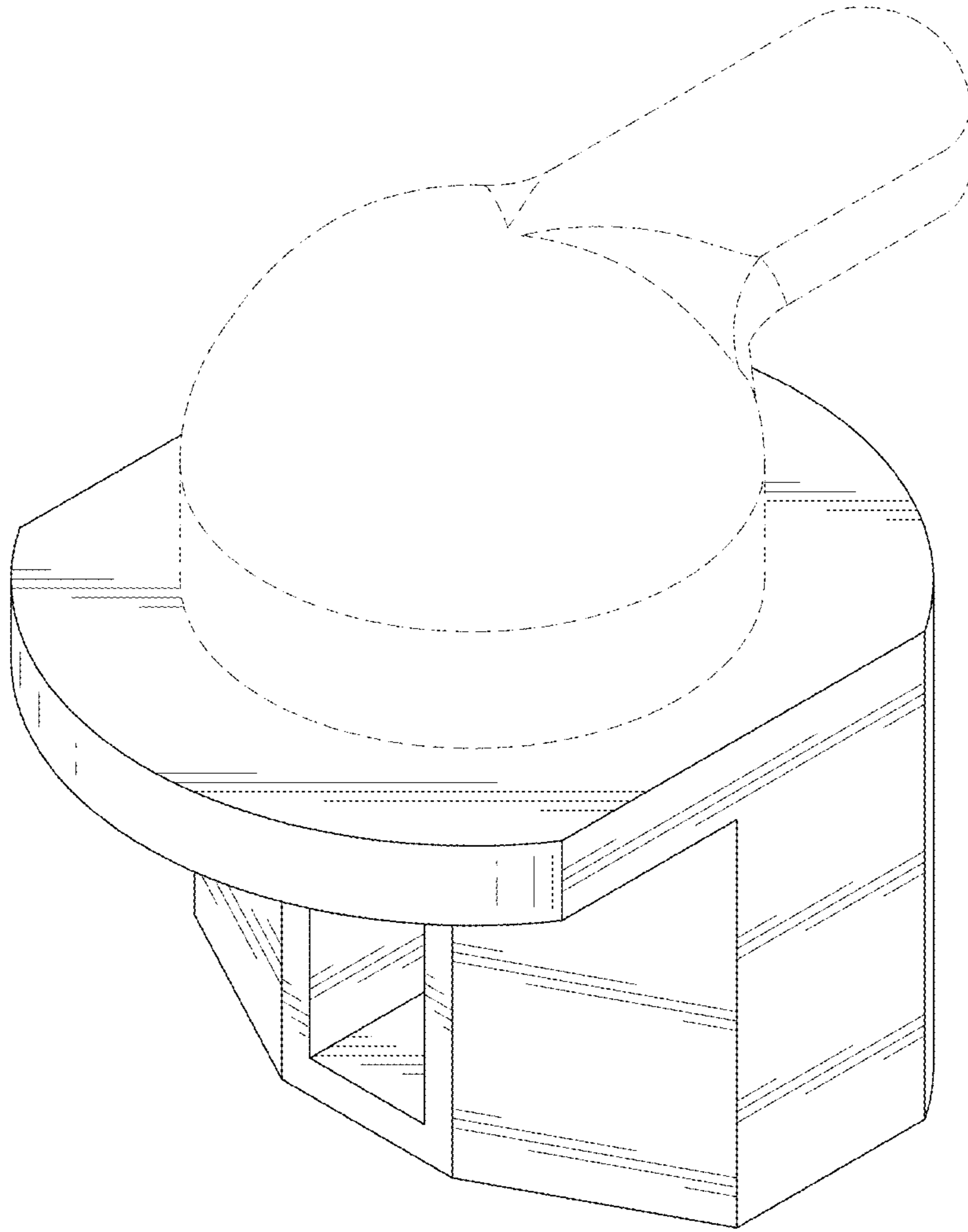


FIG. 1

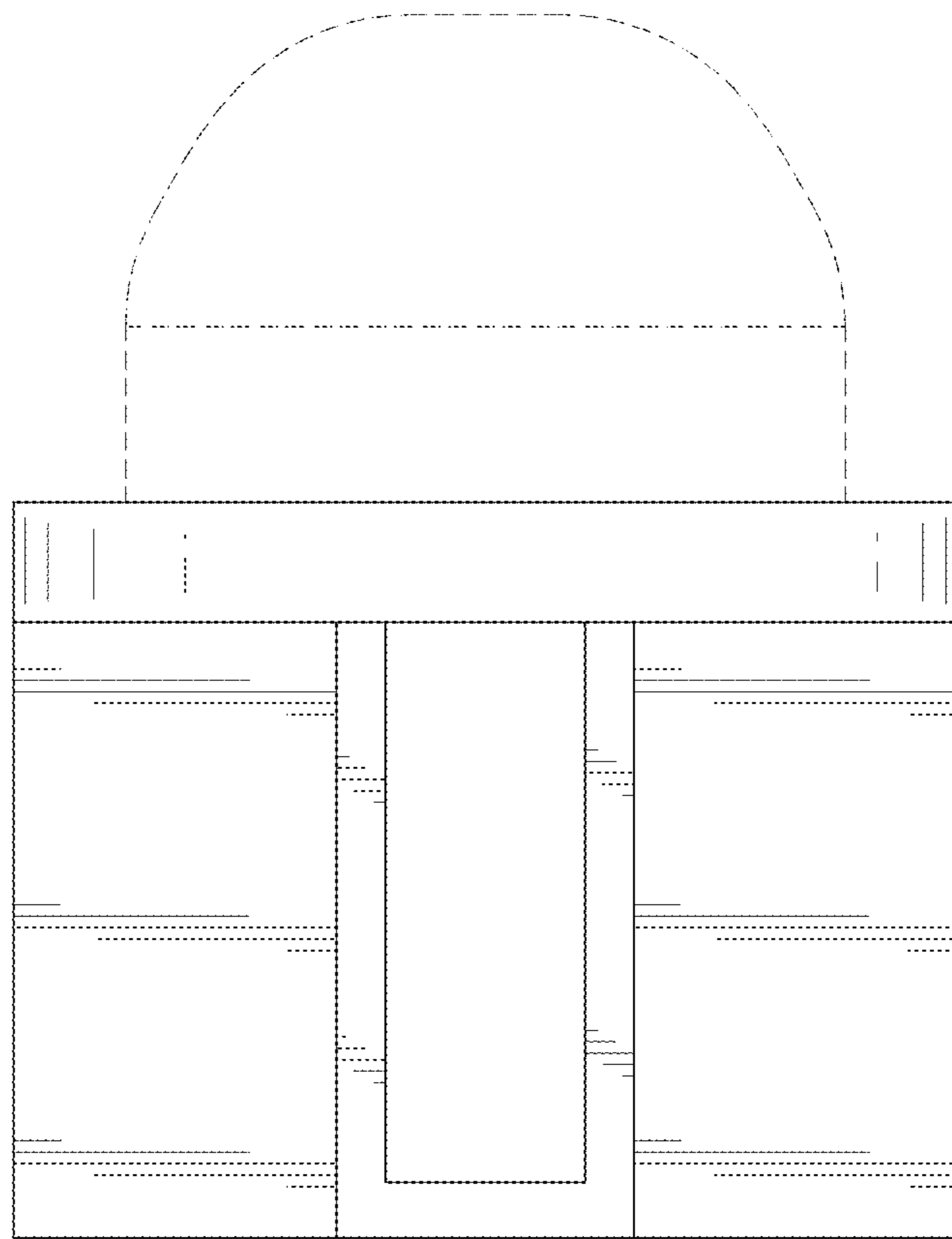


FIG. 2

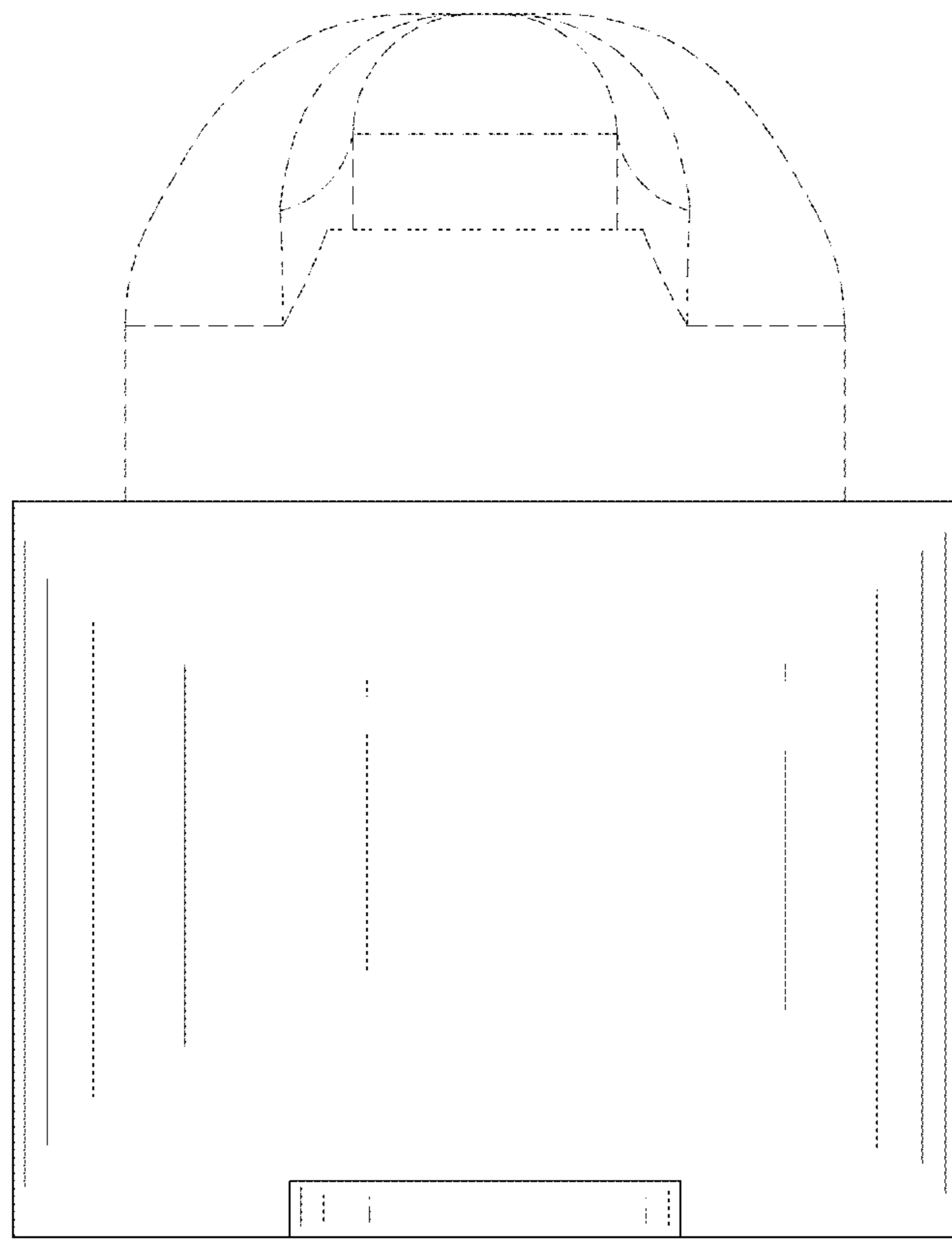


FIG. 3

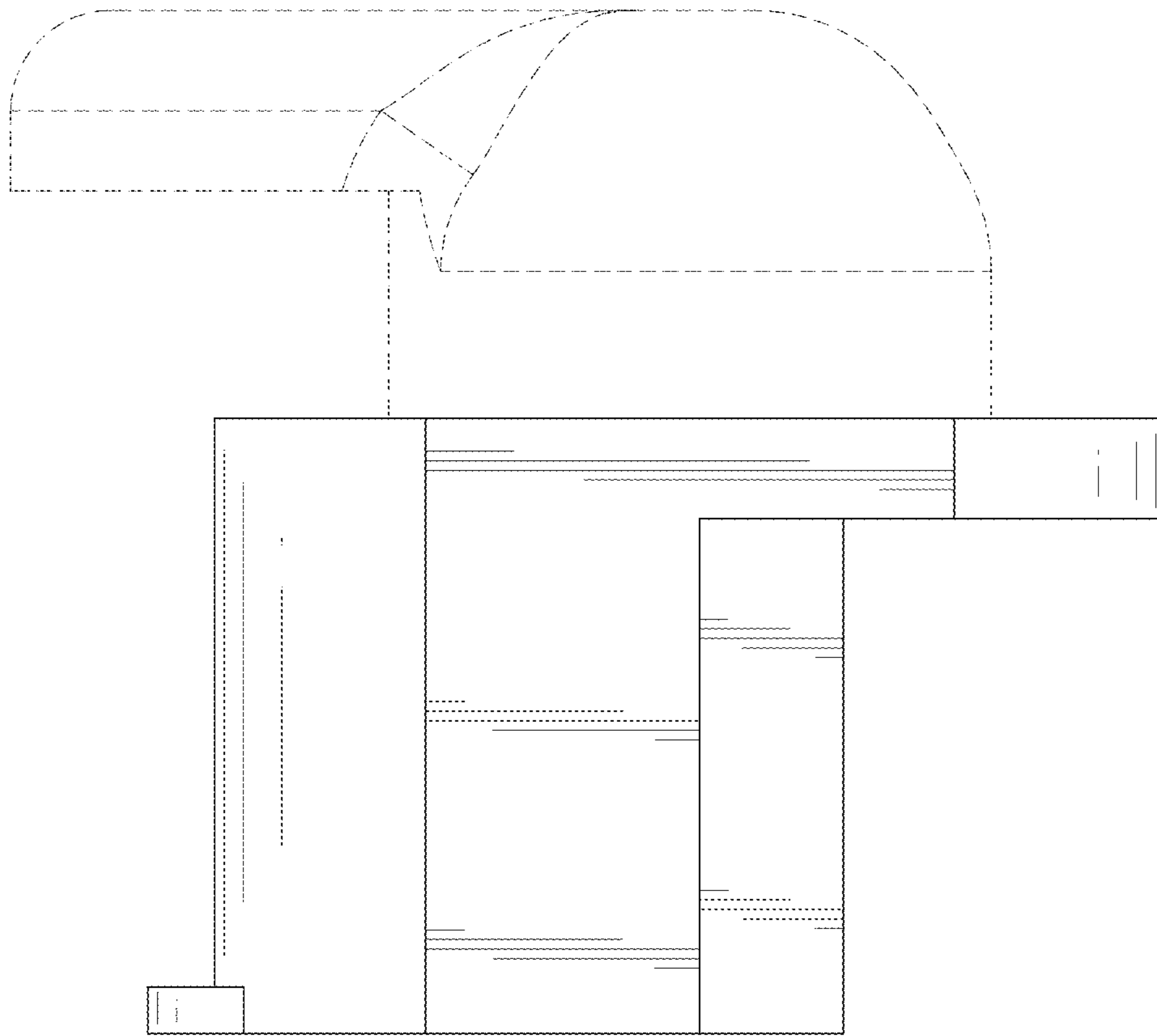


FIG. 4

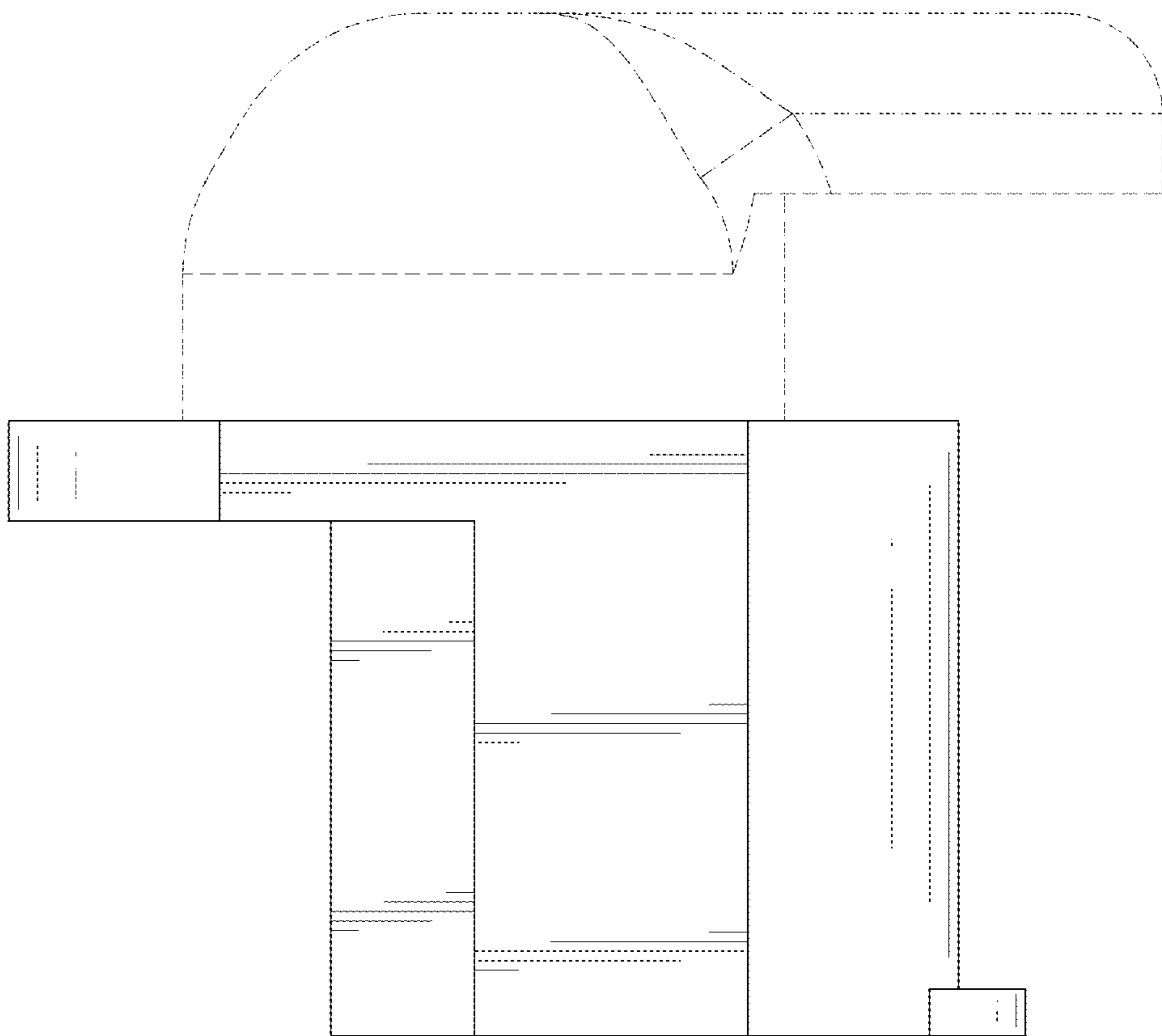


FIG. 5

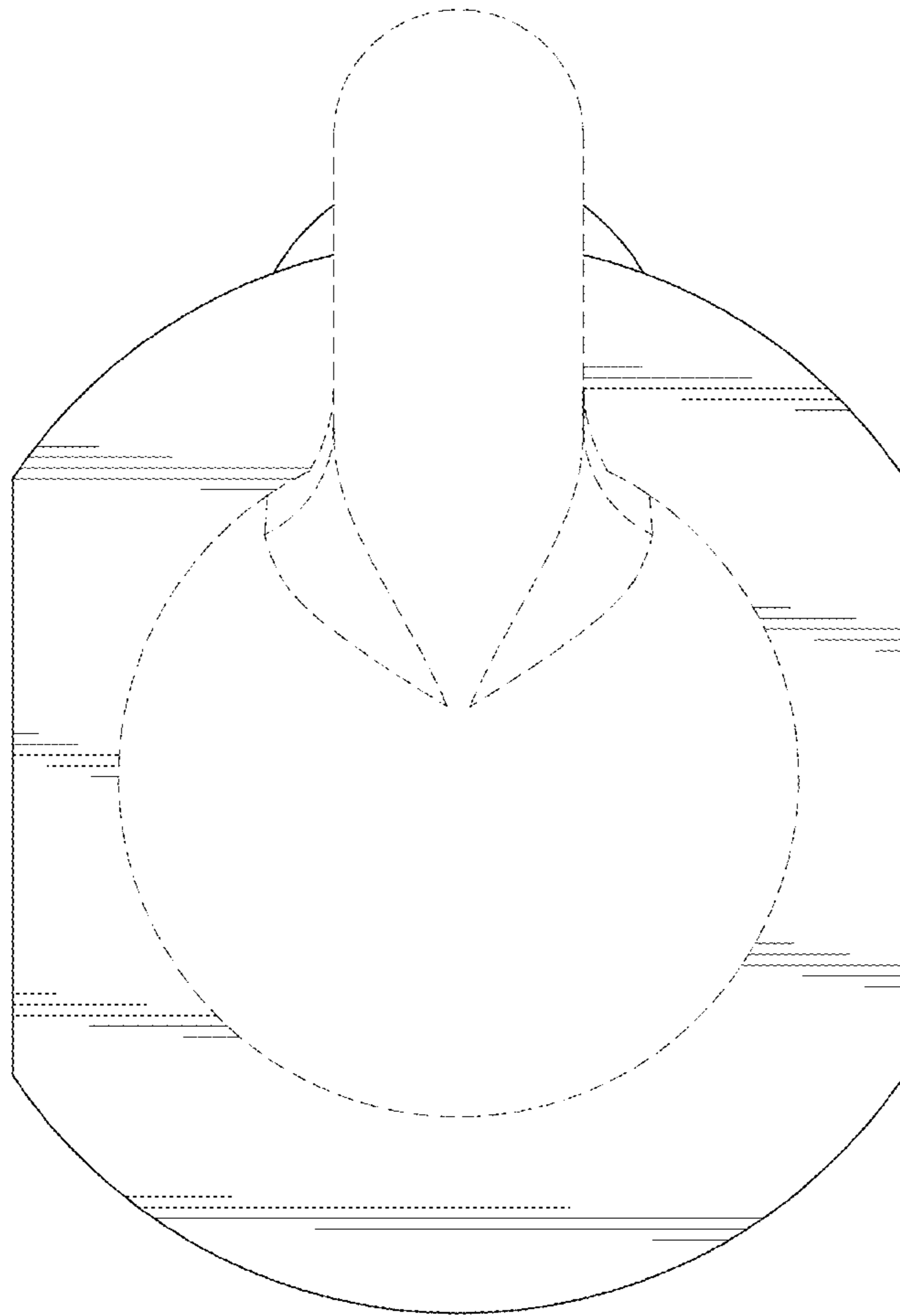


FIG. 6



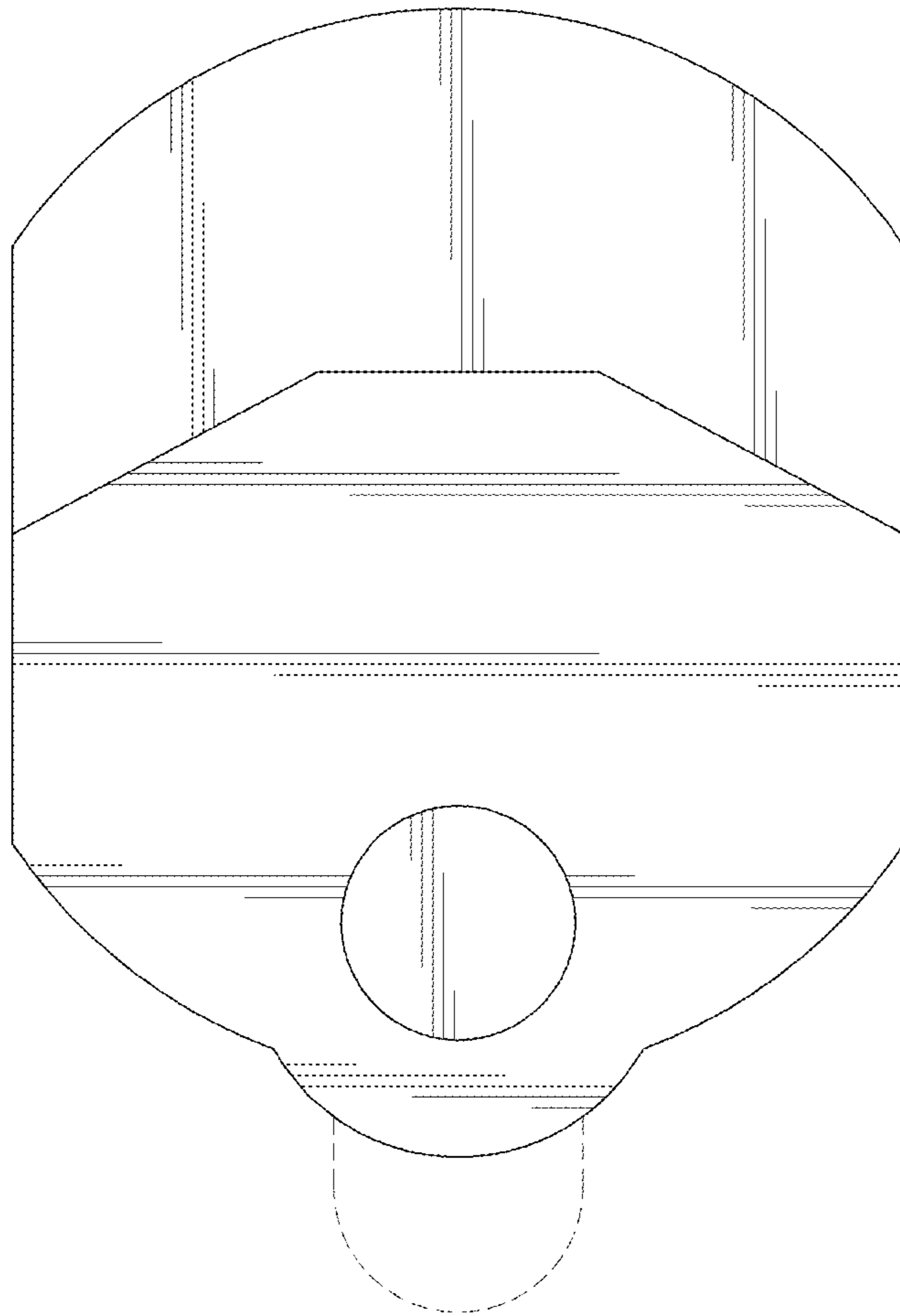


FIG. 7

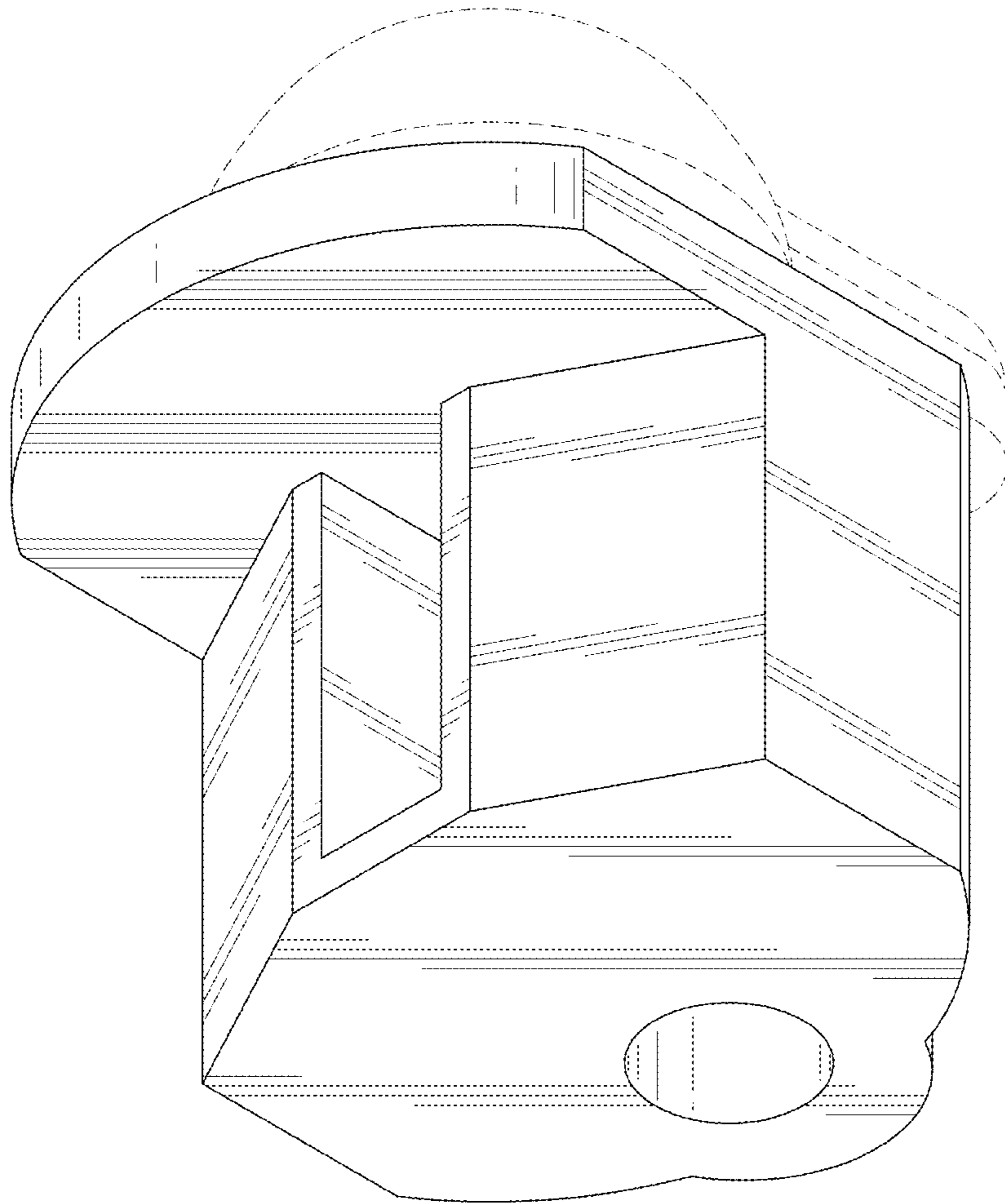


FIG. 8