



US0D1000831S

(12) **United States Design Patent** (10) **Patent No.:** **US D1,000,831 S**
Liu (45) **Date of Patent:** **** Oct. 10, 2023**

(54) **EYEGLASS HOLDER**

(71) Applicant: **Jingdezhen Yiwen Ranguo Trading Co., Ltd.**, Jingdezhen (CN)

(72) Inventor: **Fenmei Liu**, Jingdezhen (CN)

(73) Assignee: **Jingdezhen Yiwen Ranguo Trading Co., Ltd.**, Jingdezhen (CN)

(**) Term: **15 Years**

(21) Appl. No.: **29/873,817**

(22) Filed: **Apr. 7, 2023**

(51) **LOC (14) Cl.** **03-01**

(52) **U.S. Cl.**
USPC **D3/266; D3/265**

(58) **Field of Classification Search**
USPC D3/207, 215, 219, 229, 263–266, 301;
D12/417; D16/330, 339; 24/3.3, 3.7,
24/3.8, 563; 206/5, 5.1, 6; 248/902;
351/112, 155
CPC A45C 11/04; A45C 11/005; A47F 7/02;
A47F 7/021
See application file for complete search history.

(56) **References Cited**

U.S. PATENT DOCUMENTS

1,381,846 A * 6/1921 Maker A44B 6/00
24/563
D229,098 S * 11/1973 Reed D99/36
D262,417 S * 12/1981 Kim D11/79
D308,753 S * 6/1990 Colani D3/270
D379,871 S * 6/1997 Hollinger D3/266
D396,747 S * 8/1998 Cheung D3/265
D403,296 S * 12/1998 Thomas D12/417
D410,368 S * 6/1999 Wysopal D3/211
D416,133 S * 11/1999 Bocxe D3/219
D433,210 S * 11/2000 Allison D2/741
D613,503 S 4/2010 Brooks et al.
8,087,969 B2 * 1/2012 Sun A63J 7/005
446/28

D654,332 S * 2/2012 Mills D7/675
D711,645 S * 8/2014 van der Lande D3/264
D767,889 S * 10/2016 Szal D3/265
D781,571 S * 3/2017 Moerer D8/395
D836,337 S * 12/2018 Stark D3/266
D907,917 S * 1/2021 Lee D3/265
D908,595 S * 1/2021 Chen D12/417
D910,308 S * 2/2021 Liu D3/207
D980,309 S * 3/2023 Bonaventura D16/330
2002/0162194 A1 * 11/2002 Ainley B60R 7/05
24/3.3
2023/0093500 A1 * 3/2023 Ponte G02C 5/22

OTHER PUBLICATIONS

RFSRZ Car Vent Bat Mount Creative Bat Car Phone Holder Mount
retrieved from internet on Apr. 17, 2023, located at <https://www.amazon.com/Creative-Universal-Gravity-Automatic-Locking/dp/B07XY3KRNL> Date first available: Sep. 16, 2019.*

* cited by examiner

Primary Examiner — T Chase Nelson

(74) *Attorney, Agent, or Firm* — Nitin Kaushik

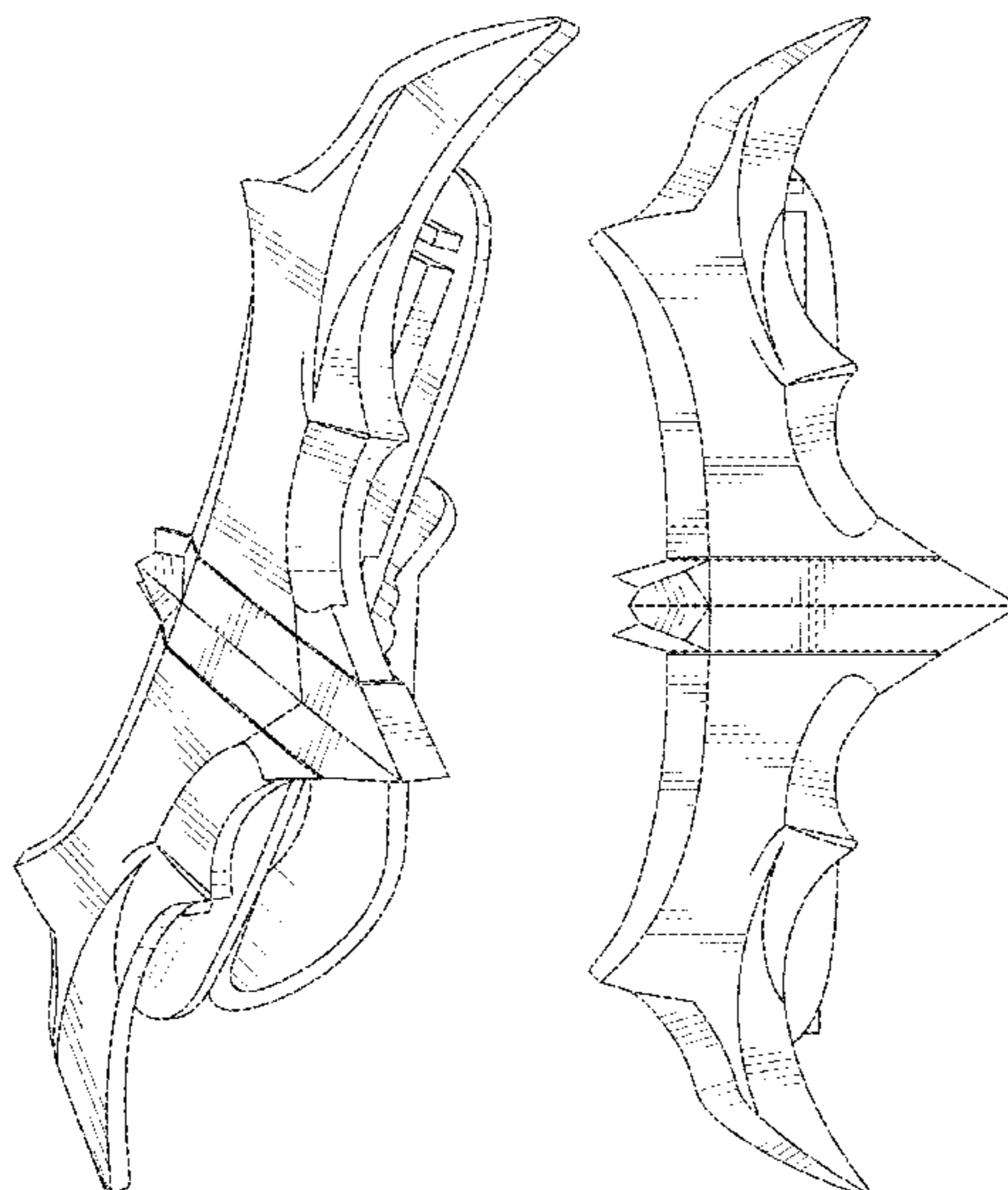
(57) **CLAIM**

The ornamental design for an eyeglass holder, as shown and described.

DESCRIPTION

FIG. 1 is a top perspective view of an eyeglass holder, showing my new design;
FIG. 2 is a front view thereof;
FIG. 3 is a rear view thereof;
FIG. 4 is a left side view thereof;
FIG. 5 is a right side view thereof;
FIG. 6 is a top view thereof; and,
FIG. 7 is a bottom view thereof.
The dashed broken lines depict portions of the eyeglass holder that form no part of the claim.

1 Claim, 7 Drawing Sheets



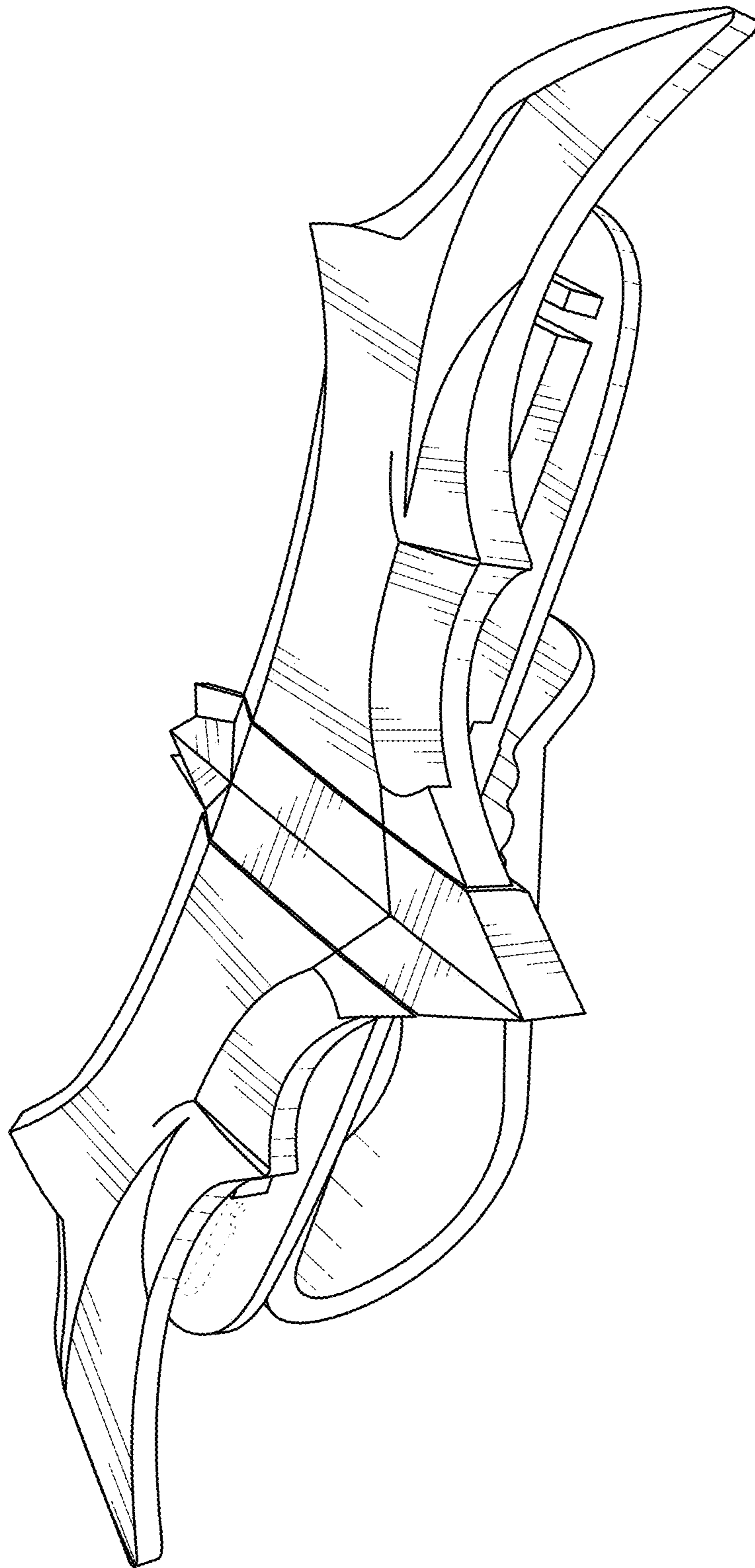


FIG. 1

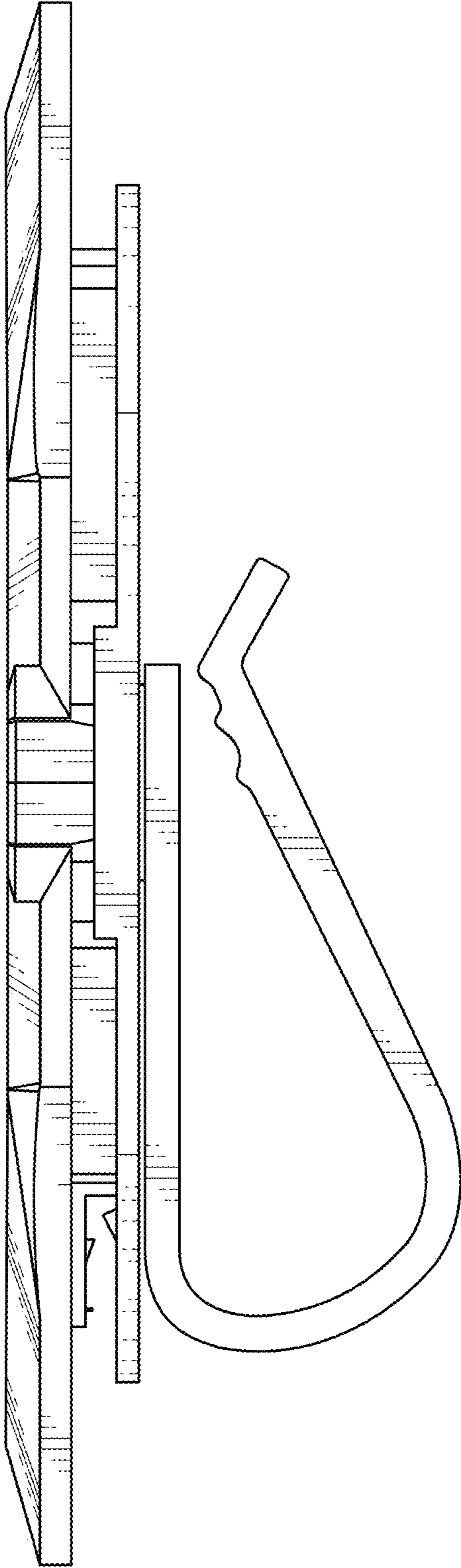


FIG. 2

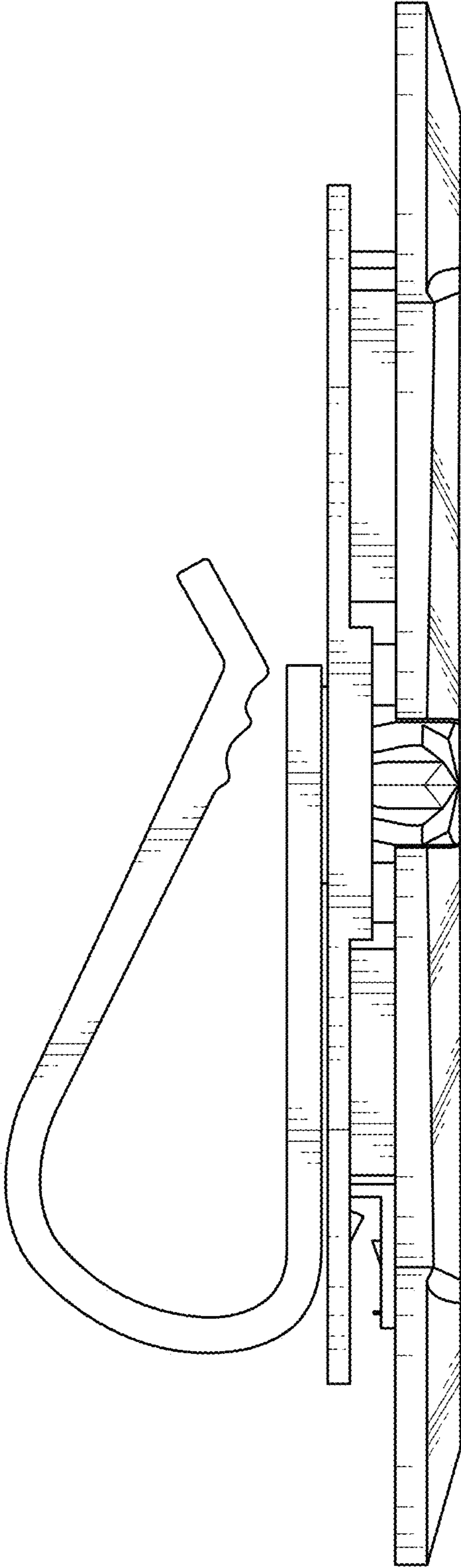


FIG. 3

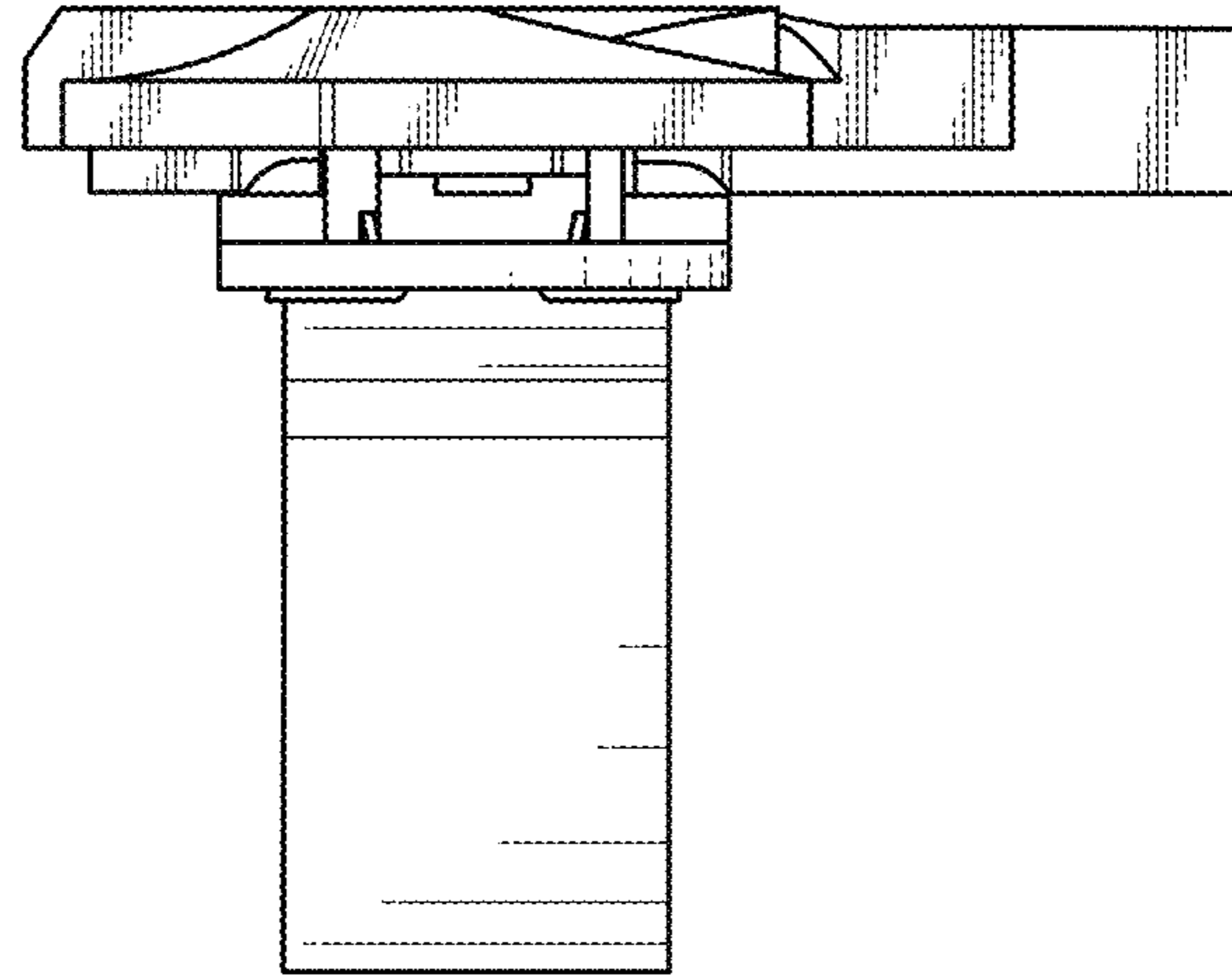


FIG. 4

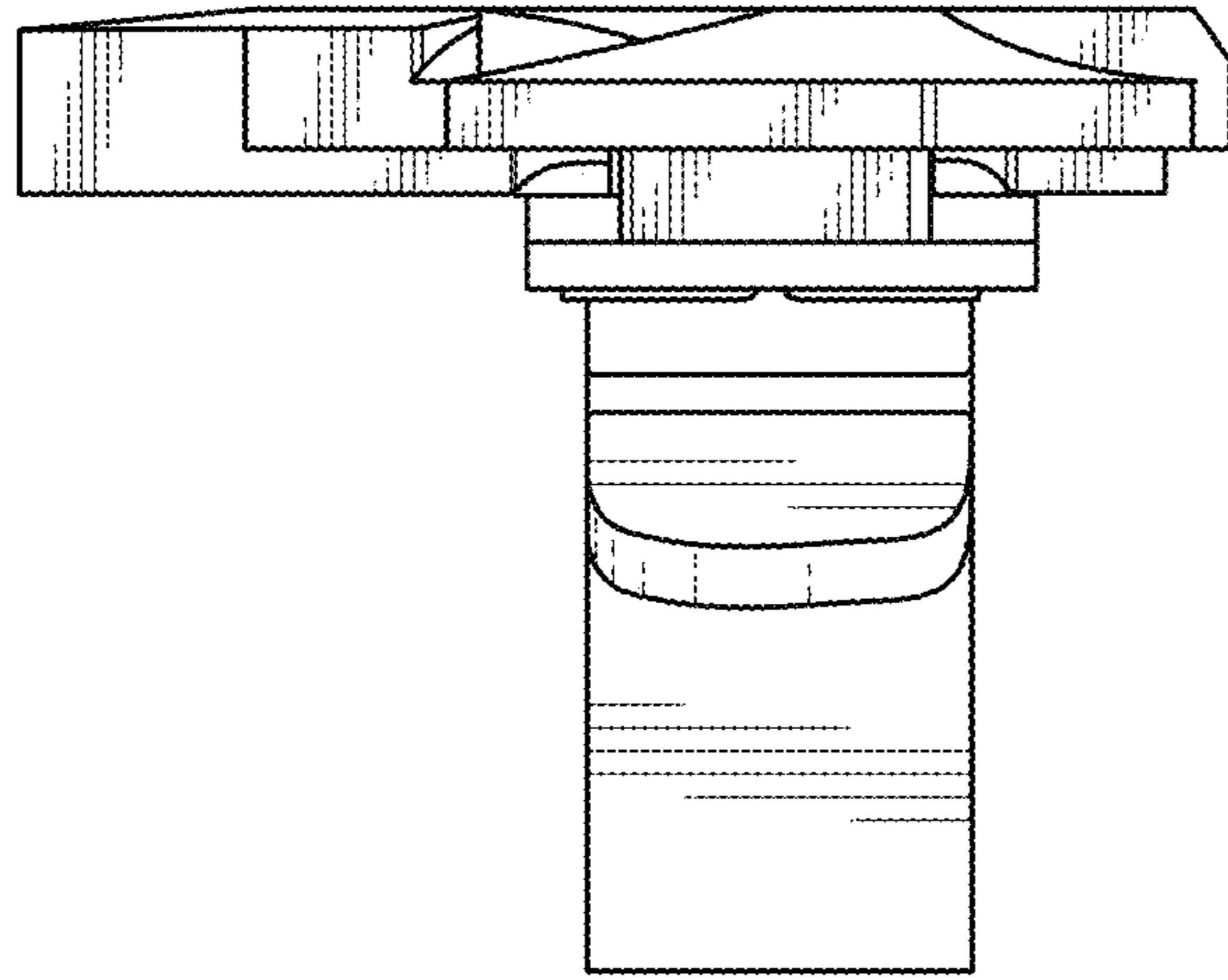


FIG. 5

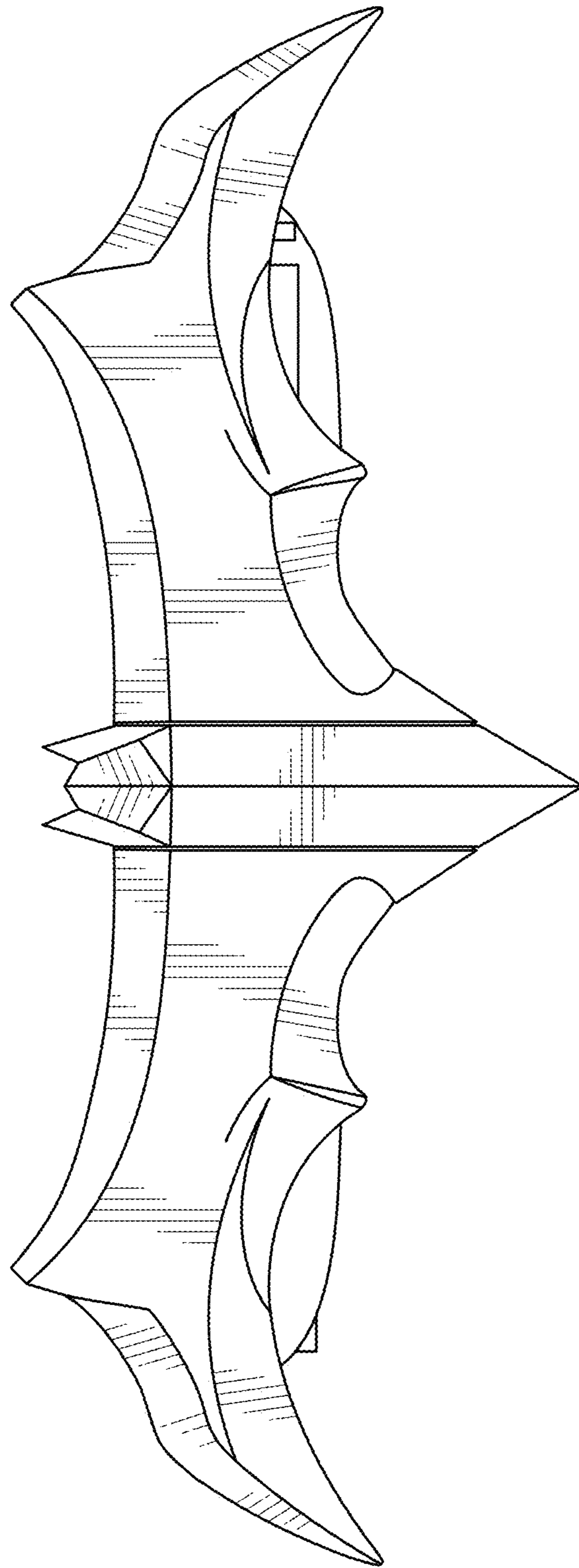


FIG. 6

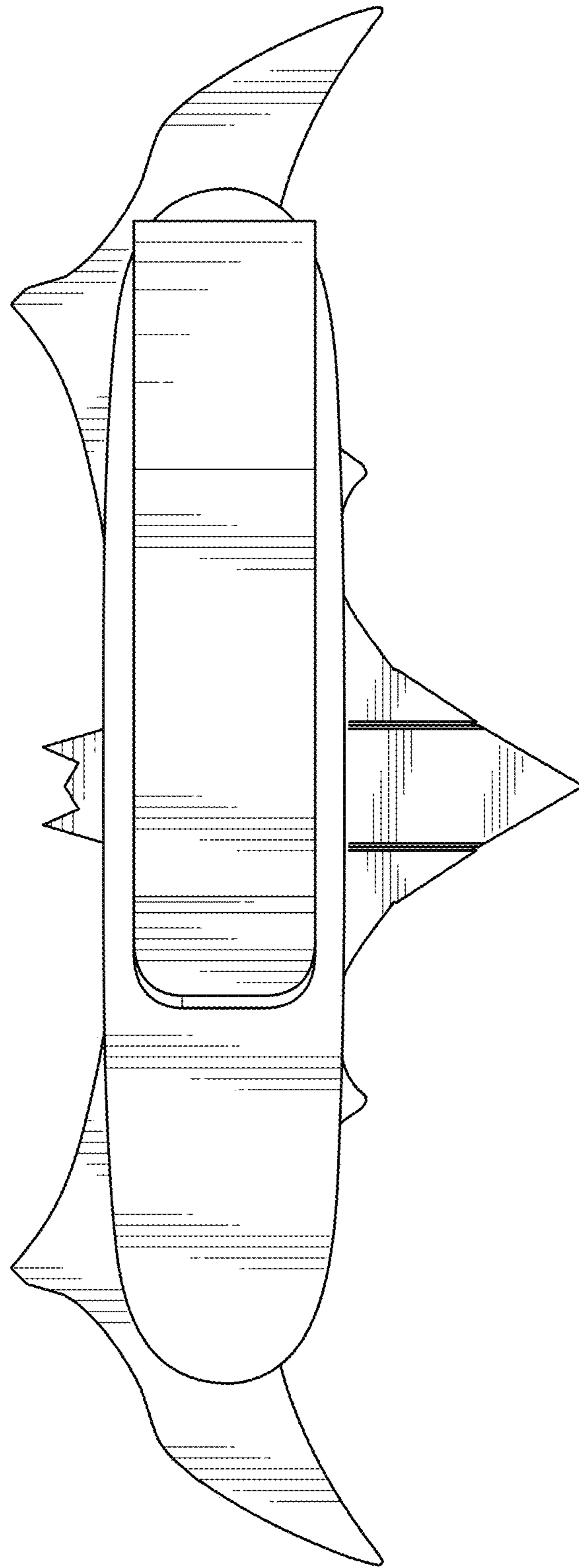


FIG. 7