



US0D1000722S

(12) **United States Design Patent** (10) **Patent No.:** **US D1,000,722 S**  
**Jang** (45) **Date of Patent:** **\*\* Oct. 3, 2023**

(54) **PET KENNEL**

(71) Applicant: **Hyejeong Jang**, Kingsland, GA (US)

(72) Inventor: **Hyejeong Jang**, Kingsland, GA (US)

(\*\*) Term: **15 Years**

(21) Appl. No.: **29/807,673**

(22) Filed: **Sep. 14, 2021**

(51) **LOC (14) Cl.** ..... **30-02**

(52) **U.S. Cl.**  
USPC ..... **D30/119; D30/116; D6/675**

(58) **Field of Classification Search**  
USPC ..... **D30/108, 114, 116, 118, 119, 160;**  
**D6/331, 332, 390, 391, 392, 675, 675.2,**  
**D6/675.5; D25/48.3**

CPC .... **A01K 1/0017; A01K 1/0245; A01K 1/035;**  
**A01K 1/0353**

See application file for complete search history.

(56) **References Cited**

**U.S. PATENT DOCUMENTS**

1,096,629	A *	5/1914	Kirkpatrick	49/218
2,470,223	A *	5/1949	Powels	A01K 1/0245
				D30/109
3,234,908	A *	2/1966	Doskocil	B65D 85/50
				D30/108
D282,880	S *	3/1986	Barati	D30/114
4,844,016	A	6/1989	Filosa	
D360,491	S *	7/1995	Campbell	D30/108
6,732,676	B1 *	5/2004	Smith	A01K 1/0245
				119/496
7,150,244	B2	12/2006	Dawes	
D569,053	S *	5/2008	Lee	D30/161
D704,901	S *	5/2014	Diskin	D30/108
D821,038	S *	6/2018	Rathman	D30/114
D825,229	S *	8/2018	Massaud	D6/675
D855,259	S *	7/2019	Rathman	D30/114
10,750,713	B2	8/2020	Rathman et al.	

(Continued)

**OTHER PUBLICATIONS**

“Fine Rustic: Farmhouse Crate/Kennel, Baluster-Style”. Found online Jun. 7, 2022 and Dec. 12, 2022, supported by facebook.com and instagram.com. References dated Oct. 8, 2018 through Apr. 28, 2022. Retrieved from [https://www.facebook.com/TheFineRustic/?ref=page\\_internal](https://www.facebook.com/TheFineRustic/?ref=page_internal), <https://www.instagram.com/p/CSxiBcc17Nq/>, etc.\*

(Continued)

*Primary Examiner* — Kendra Leslie Hamilton

(74) *Attorney, Agent, or Firm* — Marks Gray, P.A.; Mitchell Ghaneie; Josephine Chen

(57) **CLAIM**

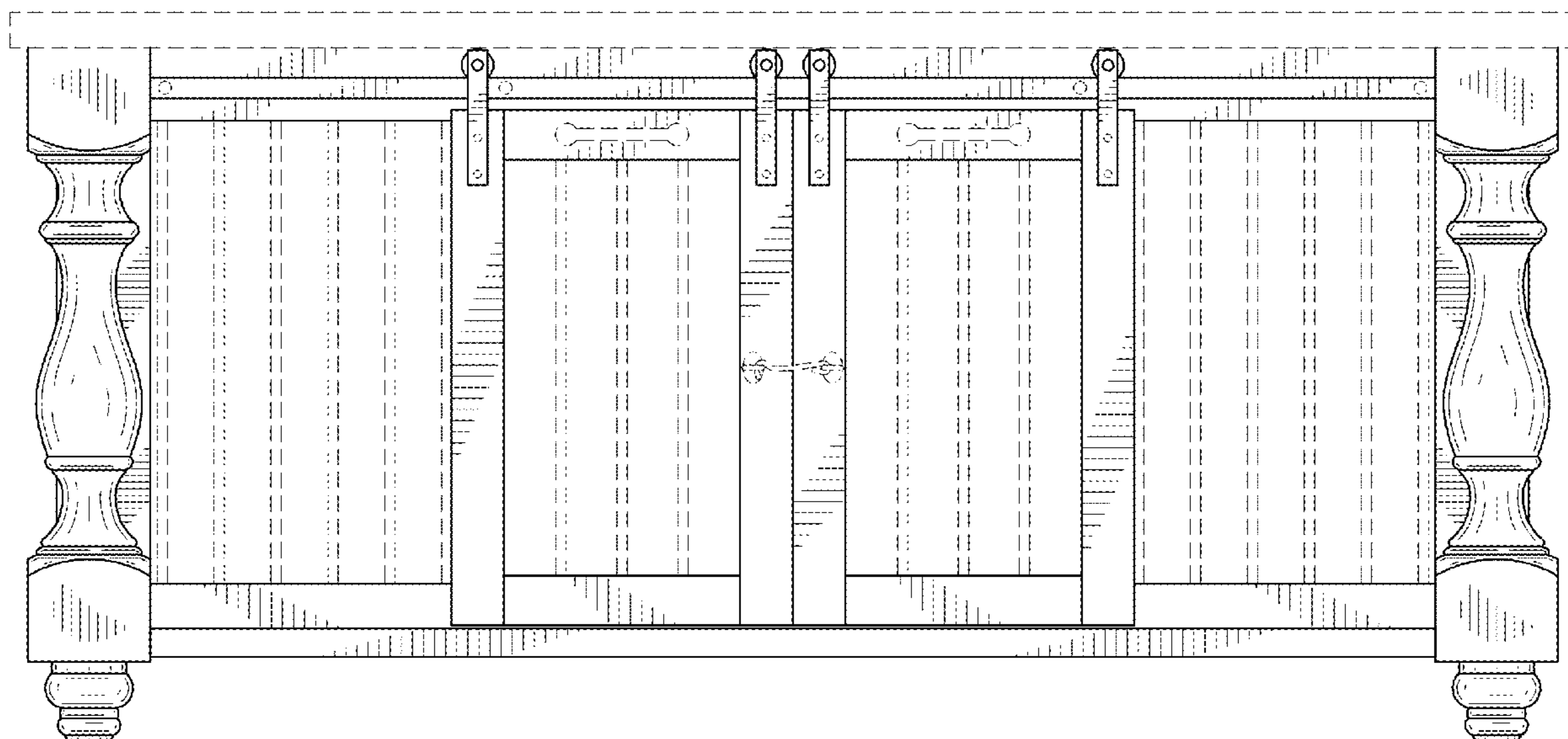
The ornamental design for a pet kennel, as shown and described.

**DESCRIPTION**

FIG. 1 is a front isometric view of a first embodiment of a pet kennel;  
FIG. 2 is a rear isometric view thereof;  
FIG. 3 is a top view thereof;  
FIG. 4 is a bottom view thereof;  
FIG. 5 is a left side view thereof;  
FIG. 6 is a right side view thereof;  
FIG. 7 is a front view thereof;  
FIG. 8 is a rear view thereof;  
FIG. 9 is a front isometric view of a second embodiment of the pet kennel;  
FIG. 10 is a rear isometric view thereof;  
FIG. 11 is a top view thereof;  
FIG. 12 is a bottom view thereof;  
FIG. 13 is a left side view thereof;  
FIG. 14 is a right side view thereof;  
FIG. 15 is a front view thereof; and,  
FIG. 16 is a rear view thereof.

In the drawings, the broken lines depict portions of the pet kennel that form no part of the claimed design.

**1 Claim, 14 Drawing Sheets**



(56)

**References Cited**

U.S. PATENT DOCUMENTS

D908,405 S \* 1/2021 Davis ..... D6/661  
D953,780 S \* 6/2022 Chen ..... D6/657

OTHER PUBLICATIONS

“Design59: Monastery Dining Table Leg”. Found online Dec. 12, 2022 at amazon.com. Reference dated Nov. 17, 2017. Retrieved from <https://www.amazon.com/Unfinished-Monastery-Dining-Console-Turned/dp/B077KCC63N/>.\*

“Dog’s Life: Coolest Crates Disguised as Stylish Furniture”. Found online Jun. 7, 2022 at [thisdogslife.com](https://www.thisdogslife.com). Reference dated Sep. 4, 2018. Retrieved from <https://www.thisdogslife.co/the-coolest-dog-crates-disguised-as-stylish-furniture/>.\*

“CarolinaLeg: Monastery Farmhouse Bench Leg”. Found online Dec. 12, 2022 at etsy.com. Reference dated Dec. 18, 2020. Retrieved from <https://www.etsy.com/listing/754194320/monastery-chunky-pine-farmhouse-bench?>.\*

\* cited by examiner

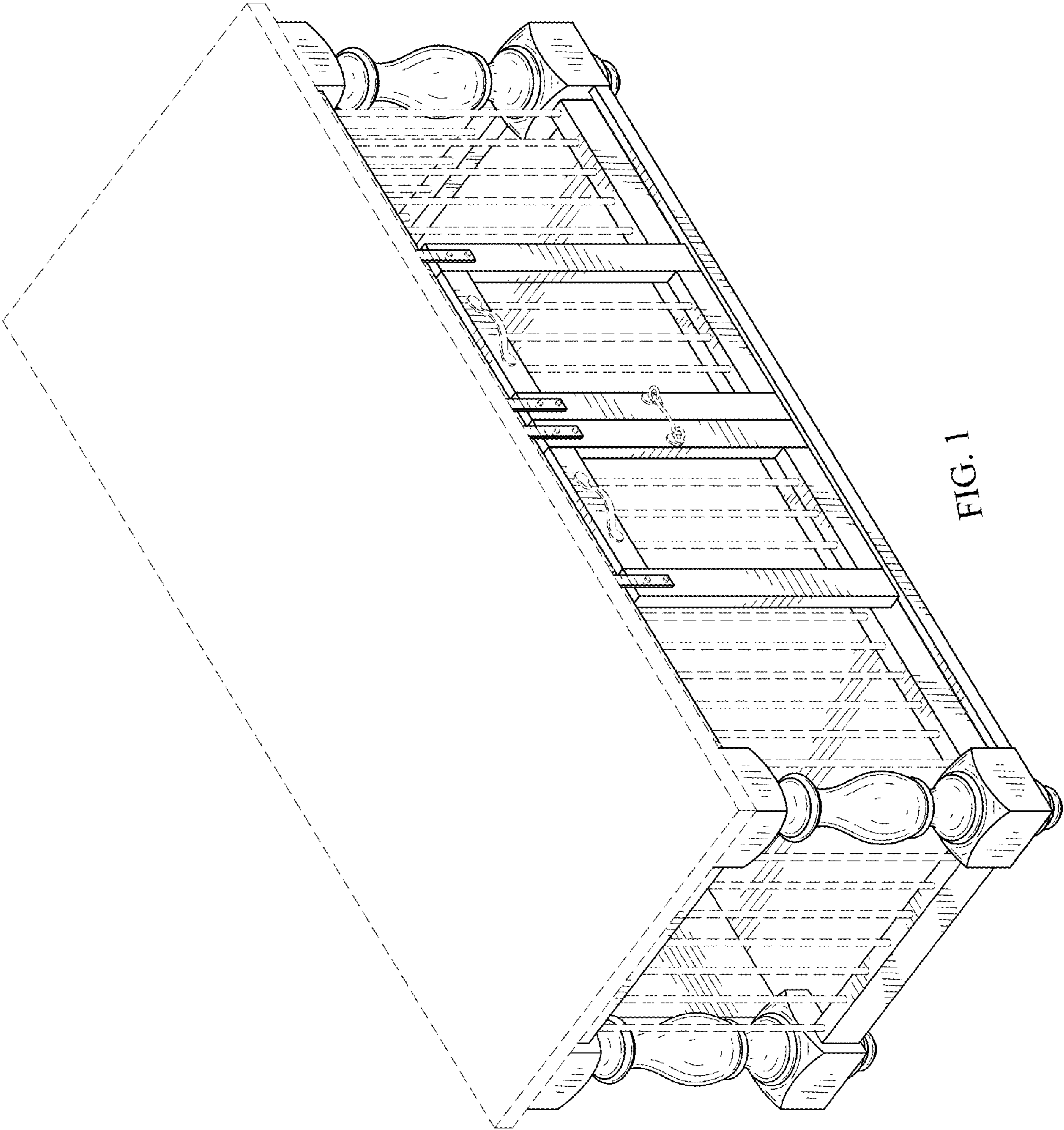


FIG. 1



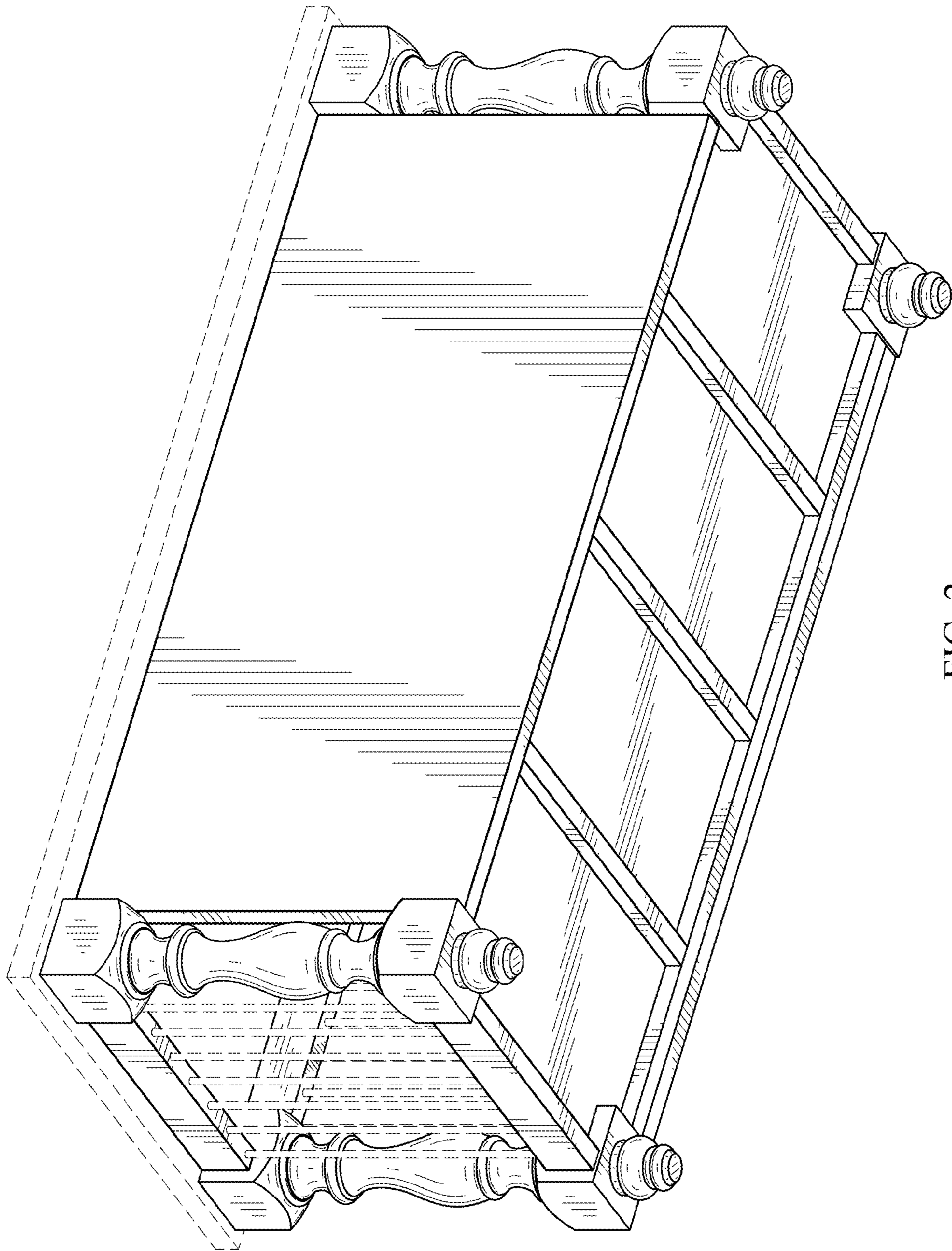


FIG. 2

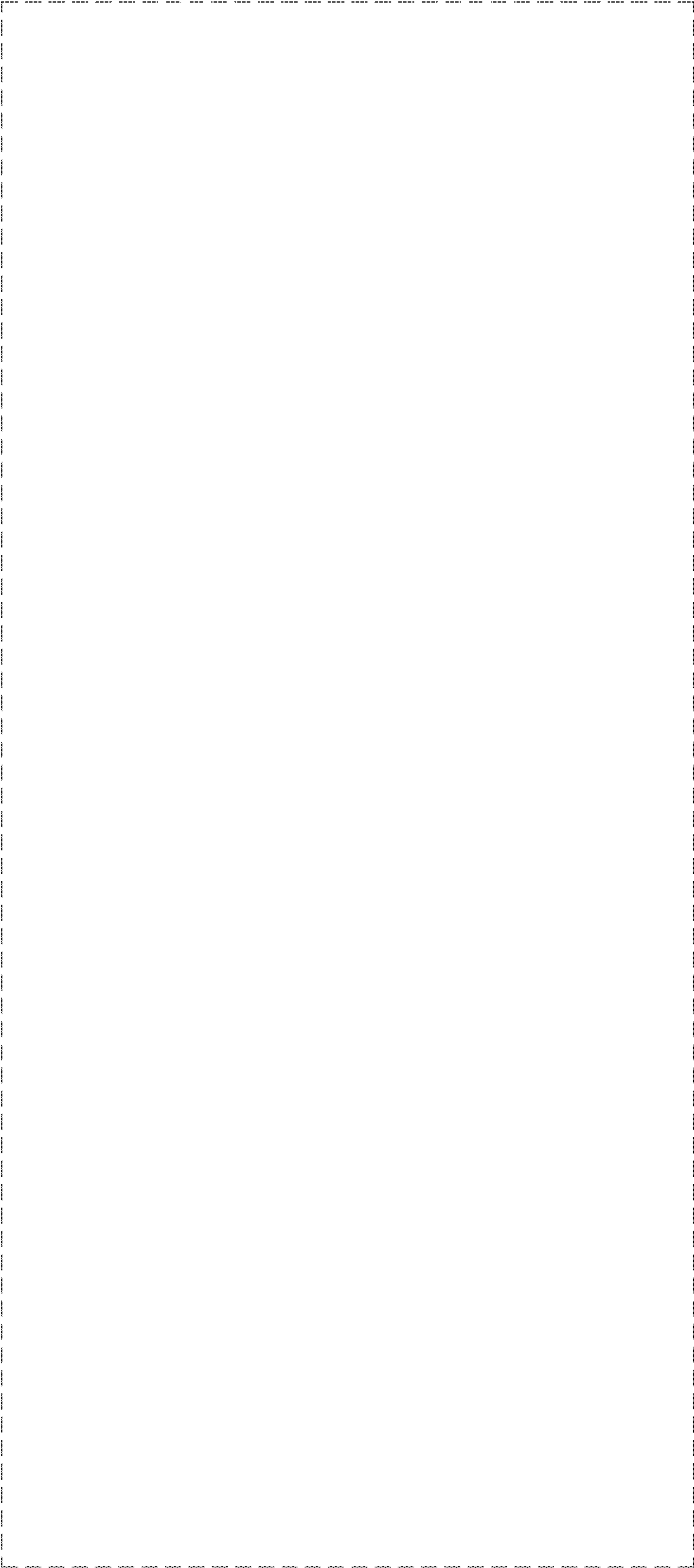


FIG. 3

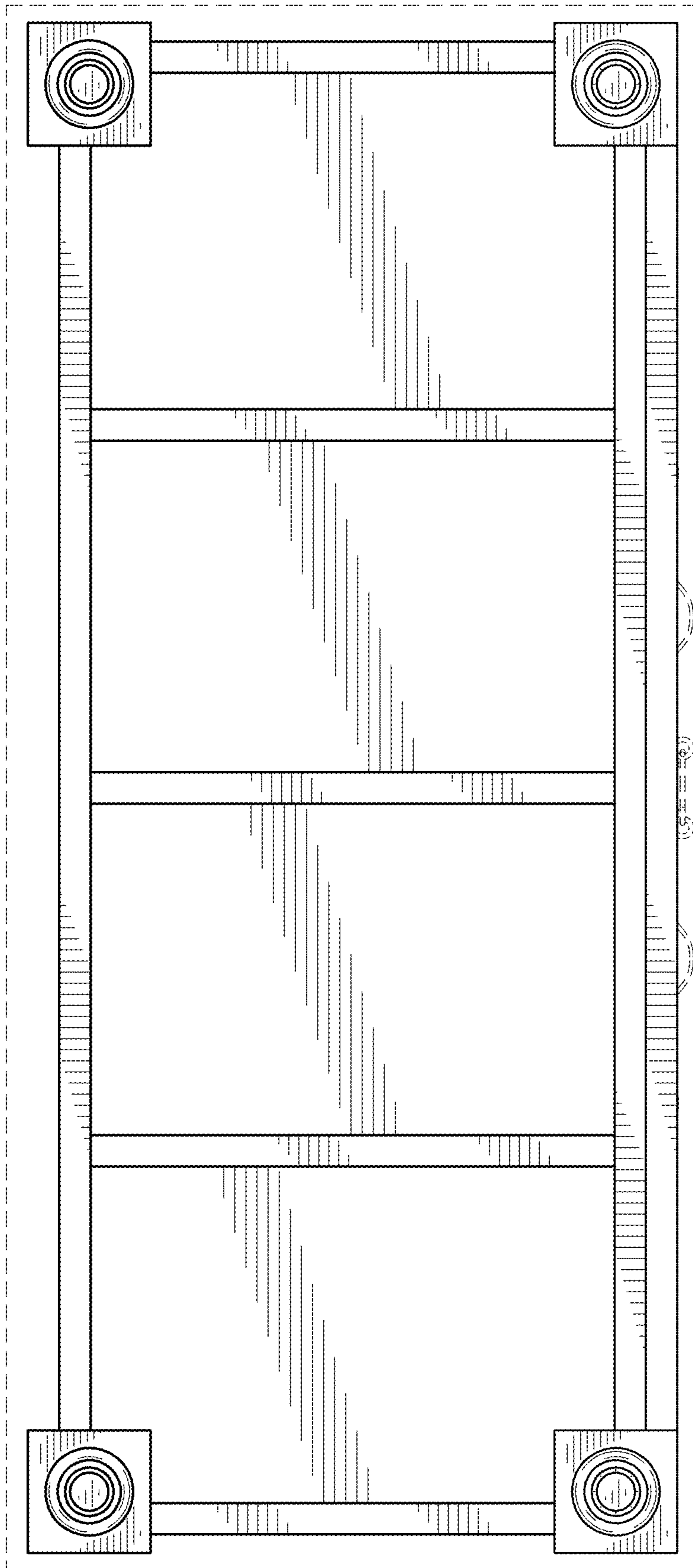


FIG. 4

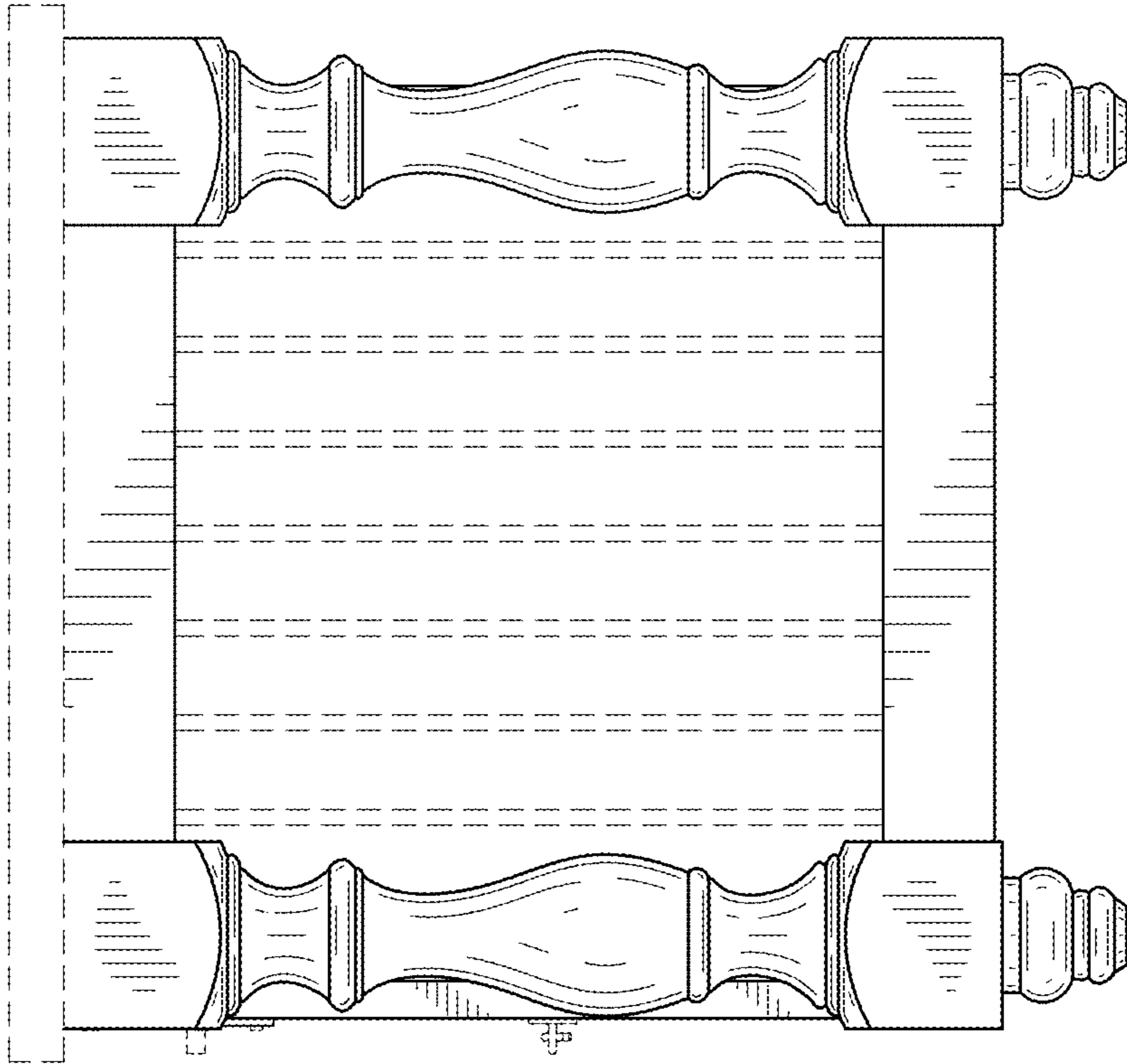


FIG. 6

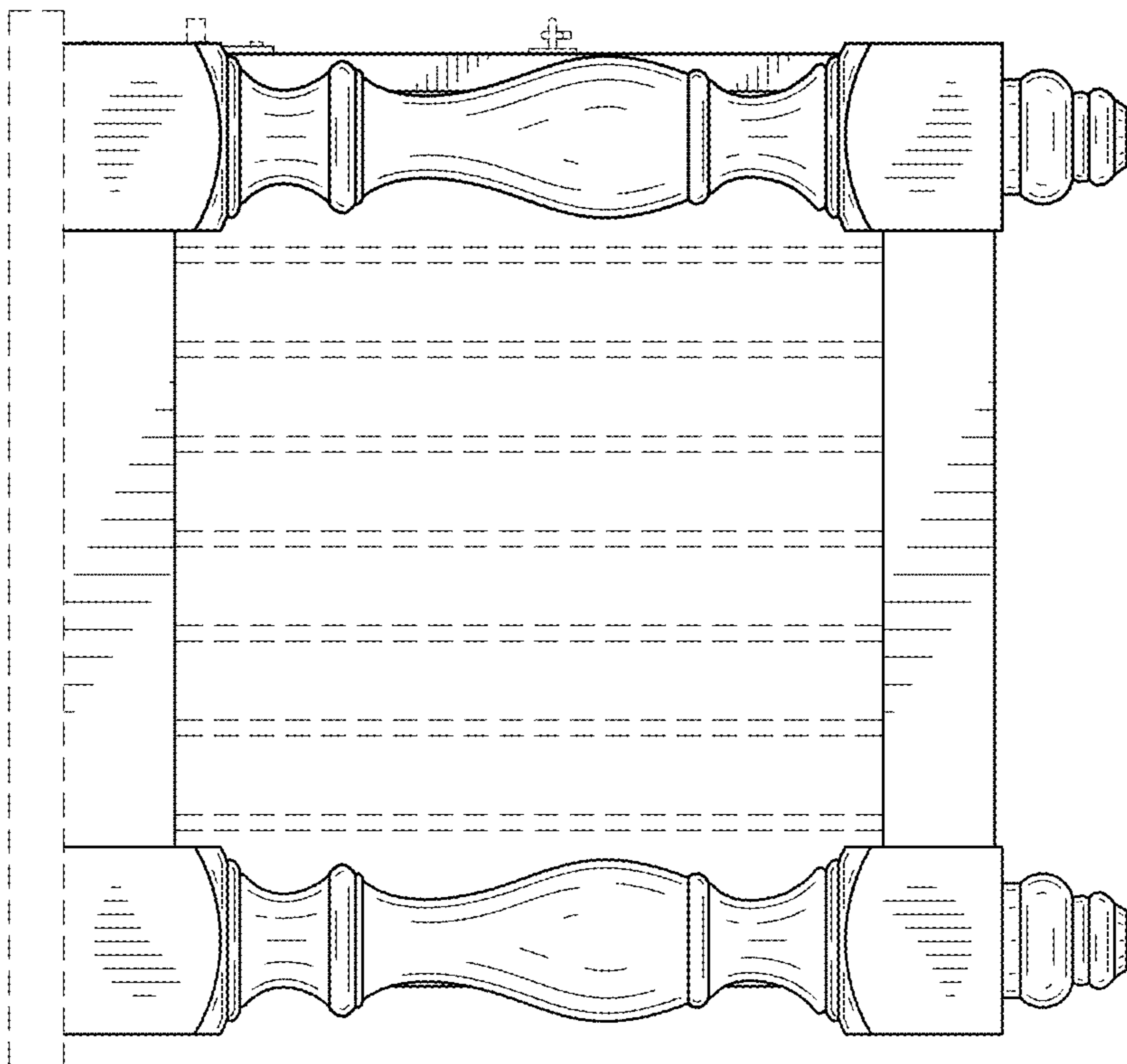


FIG. 5

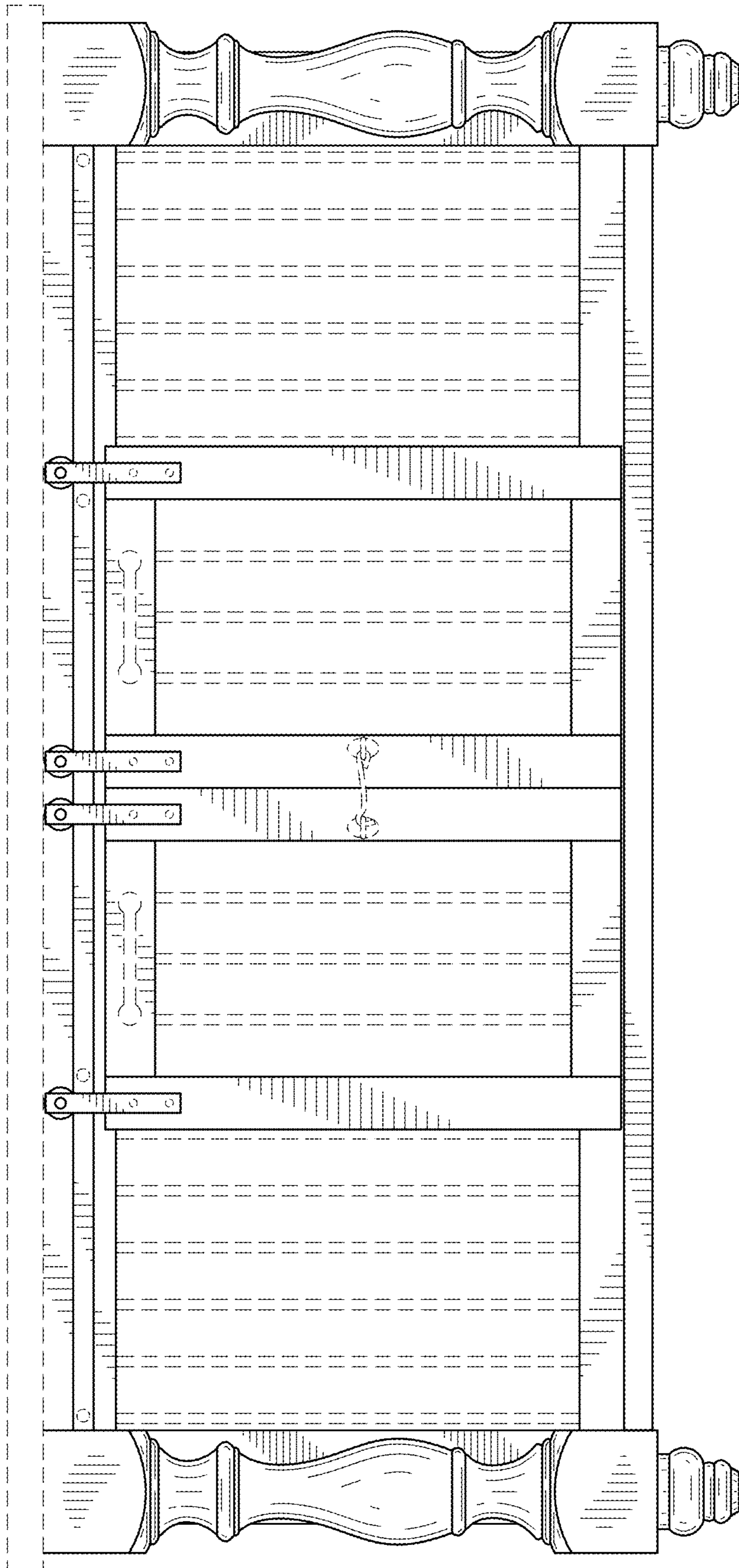


FIG. 7



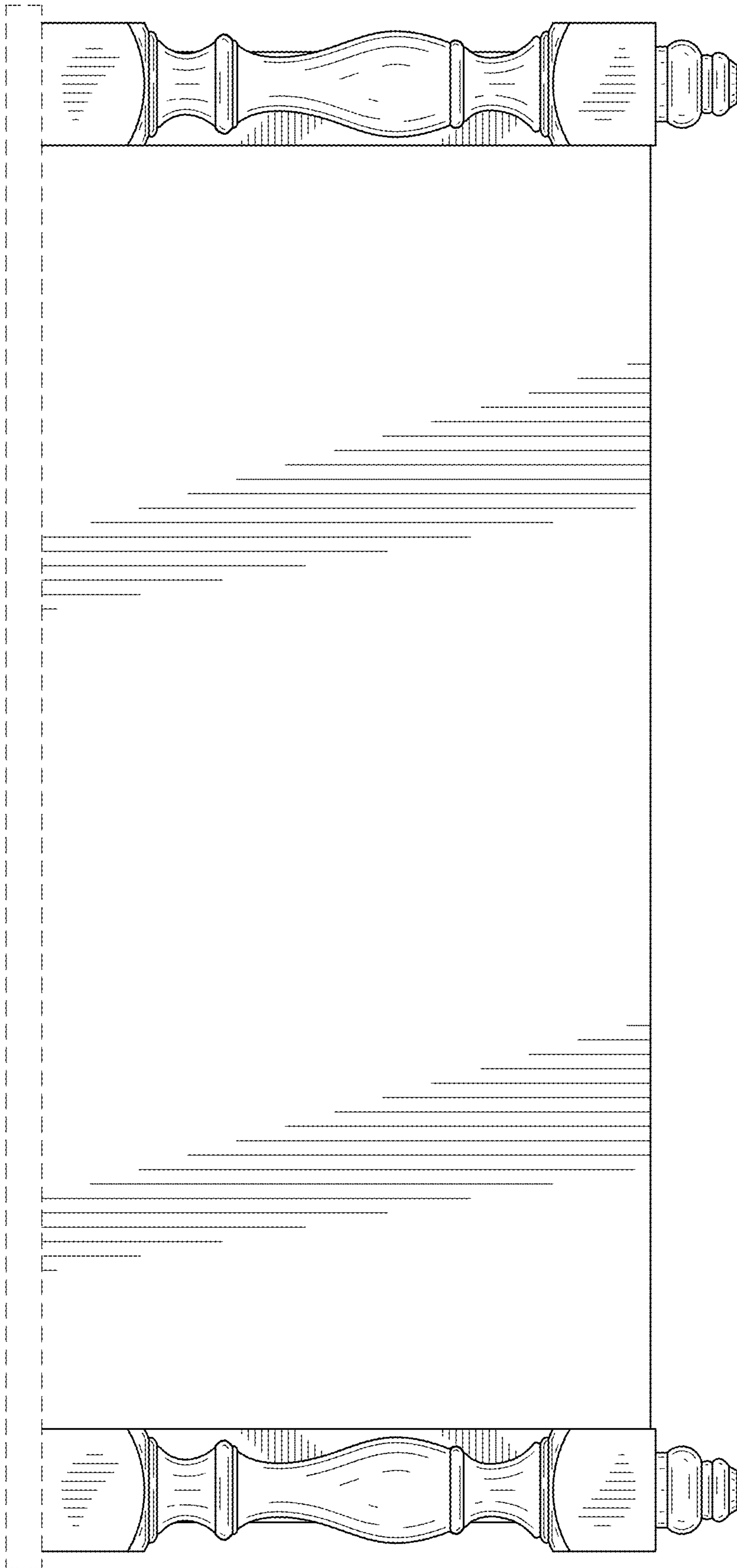


FIG. 8

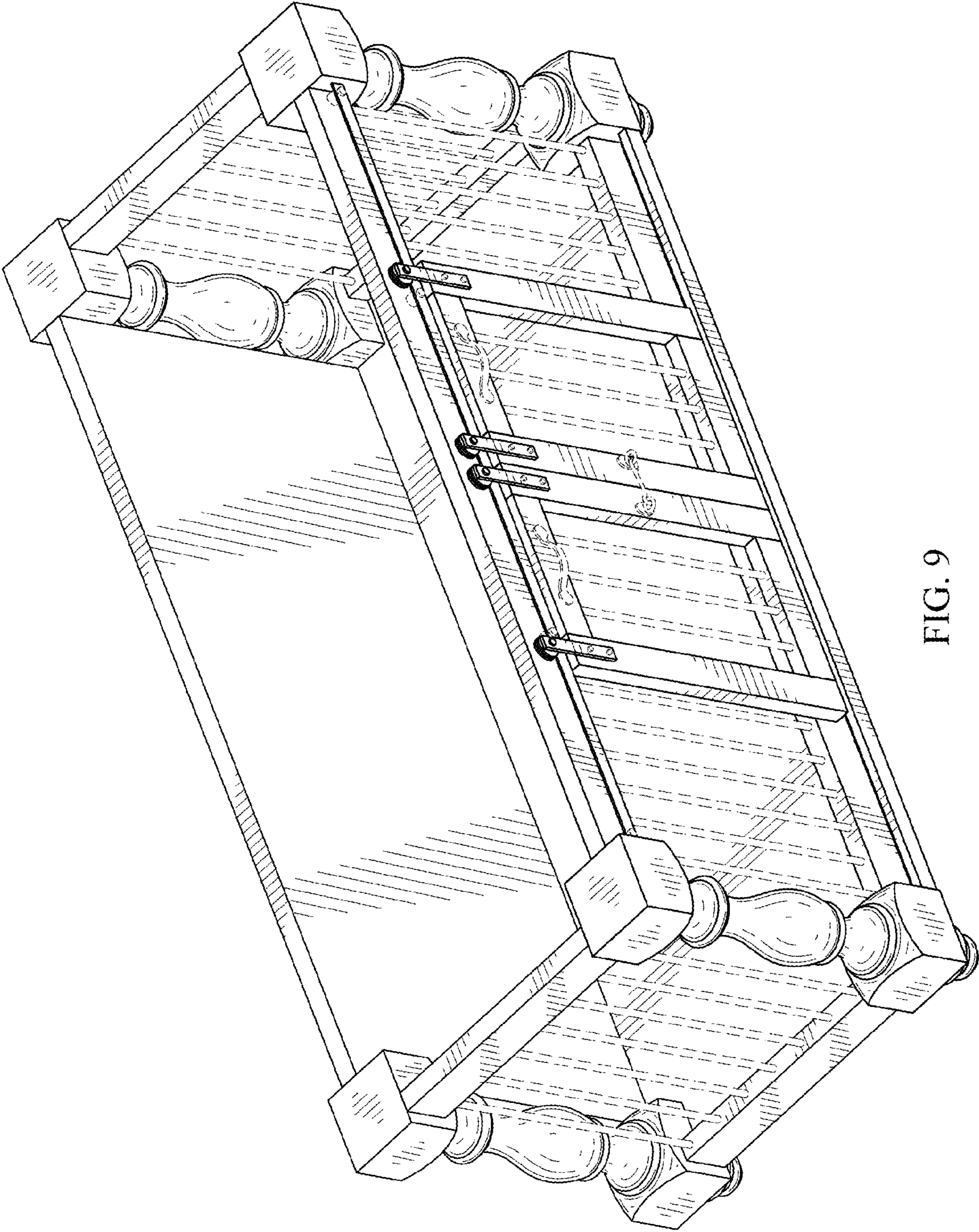


FIG. 9

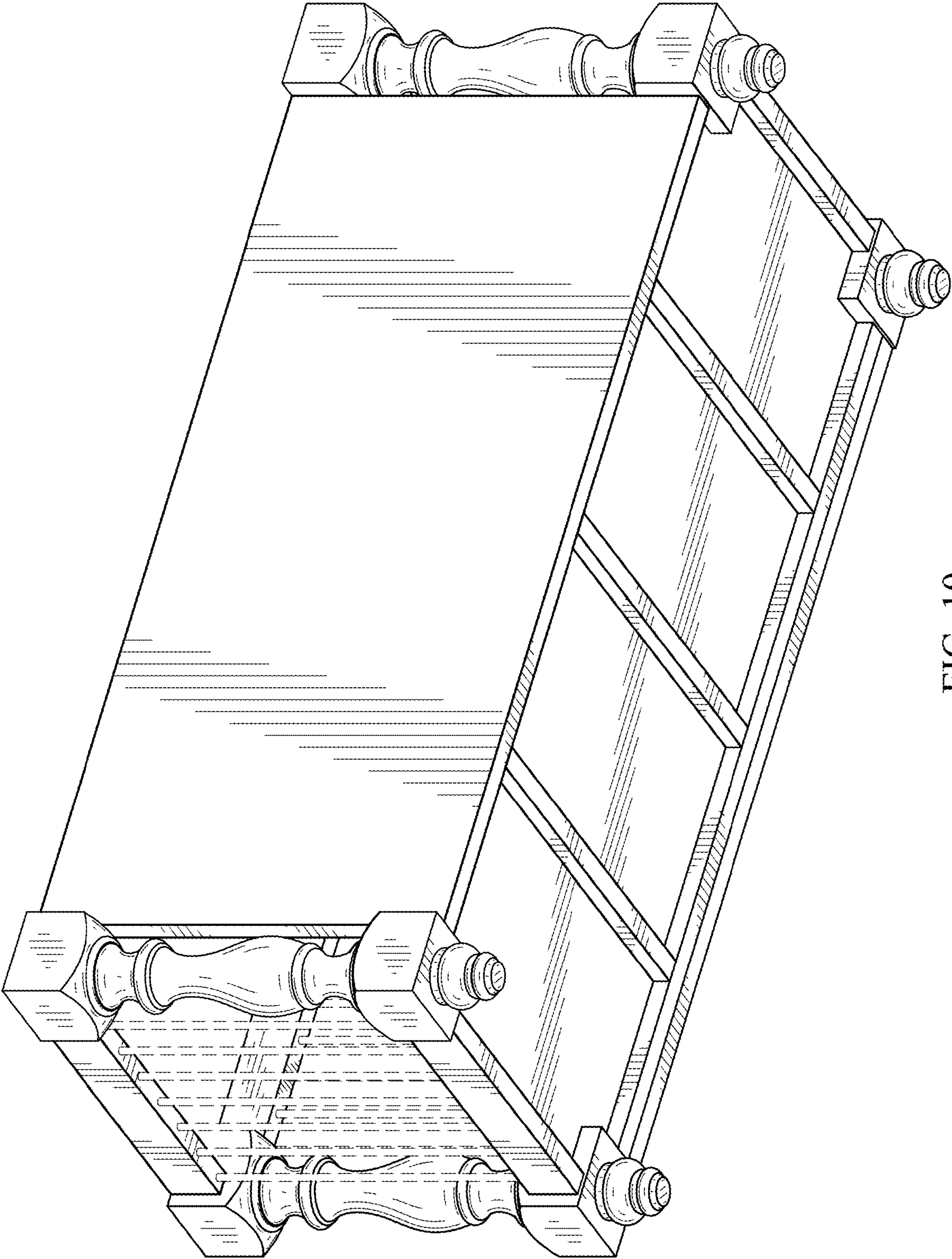


FIG. 10

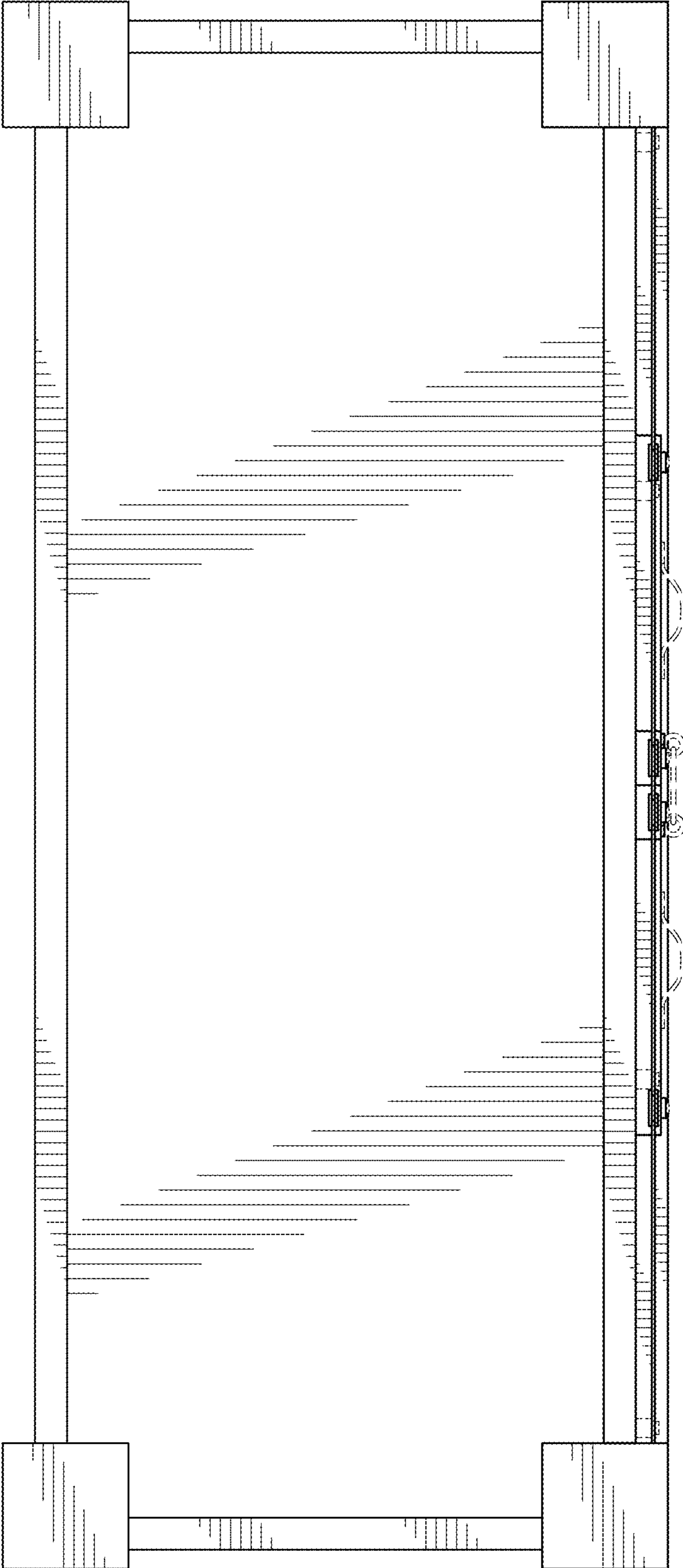


FIG. 11



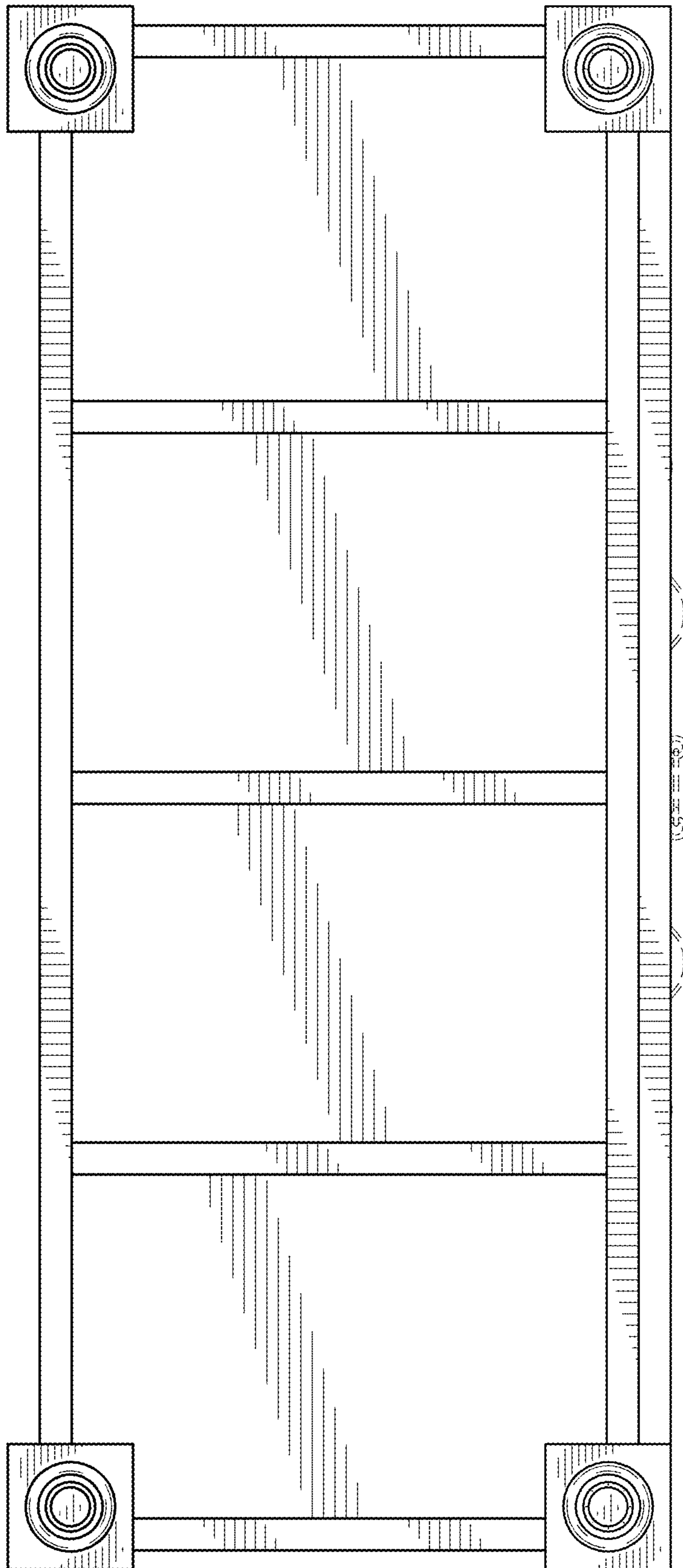


FIG. 12

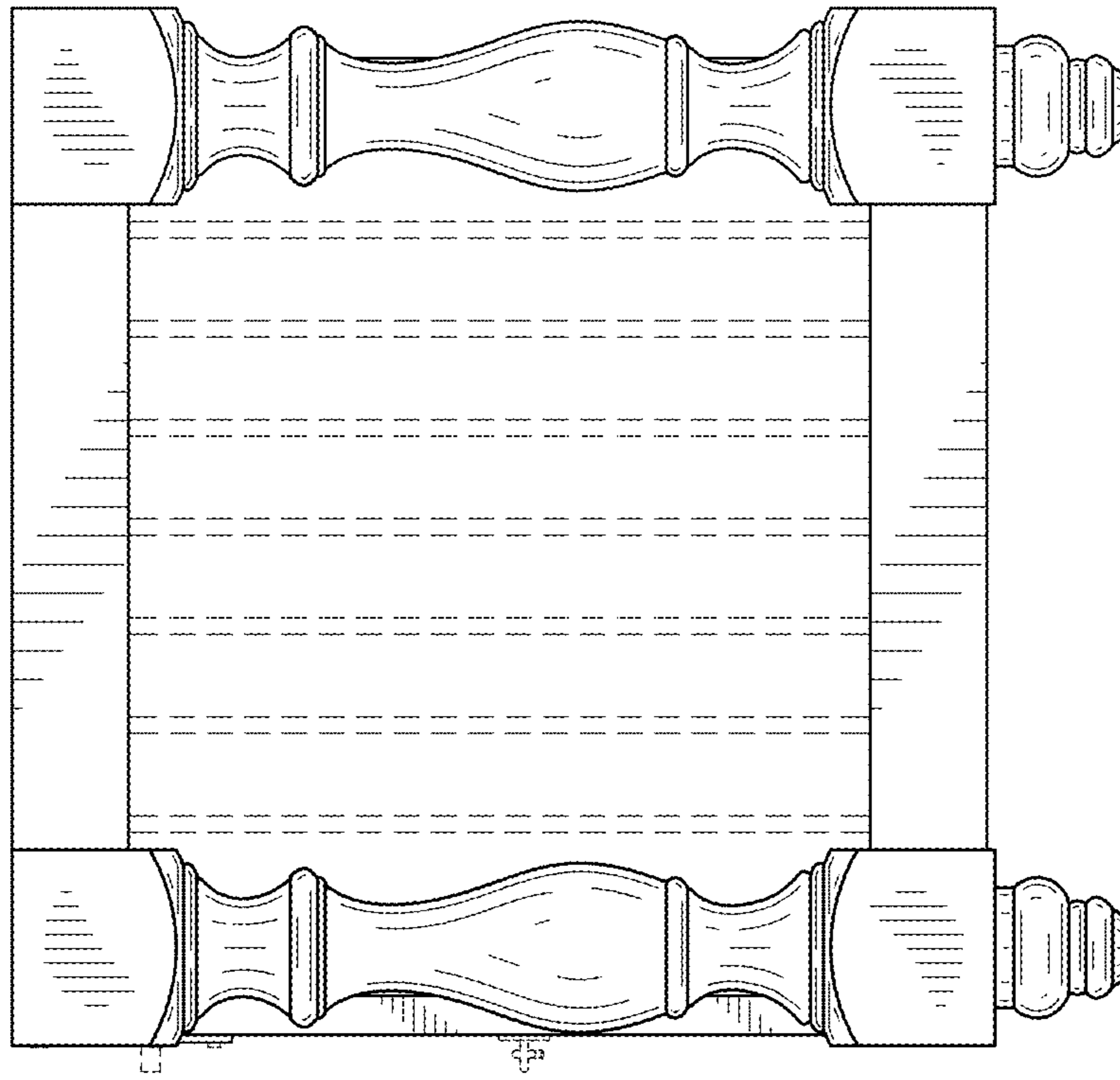


FIG. 14

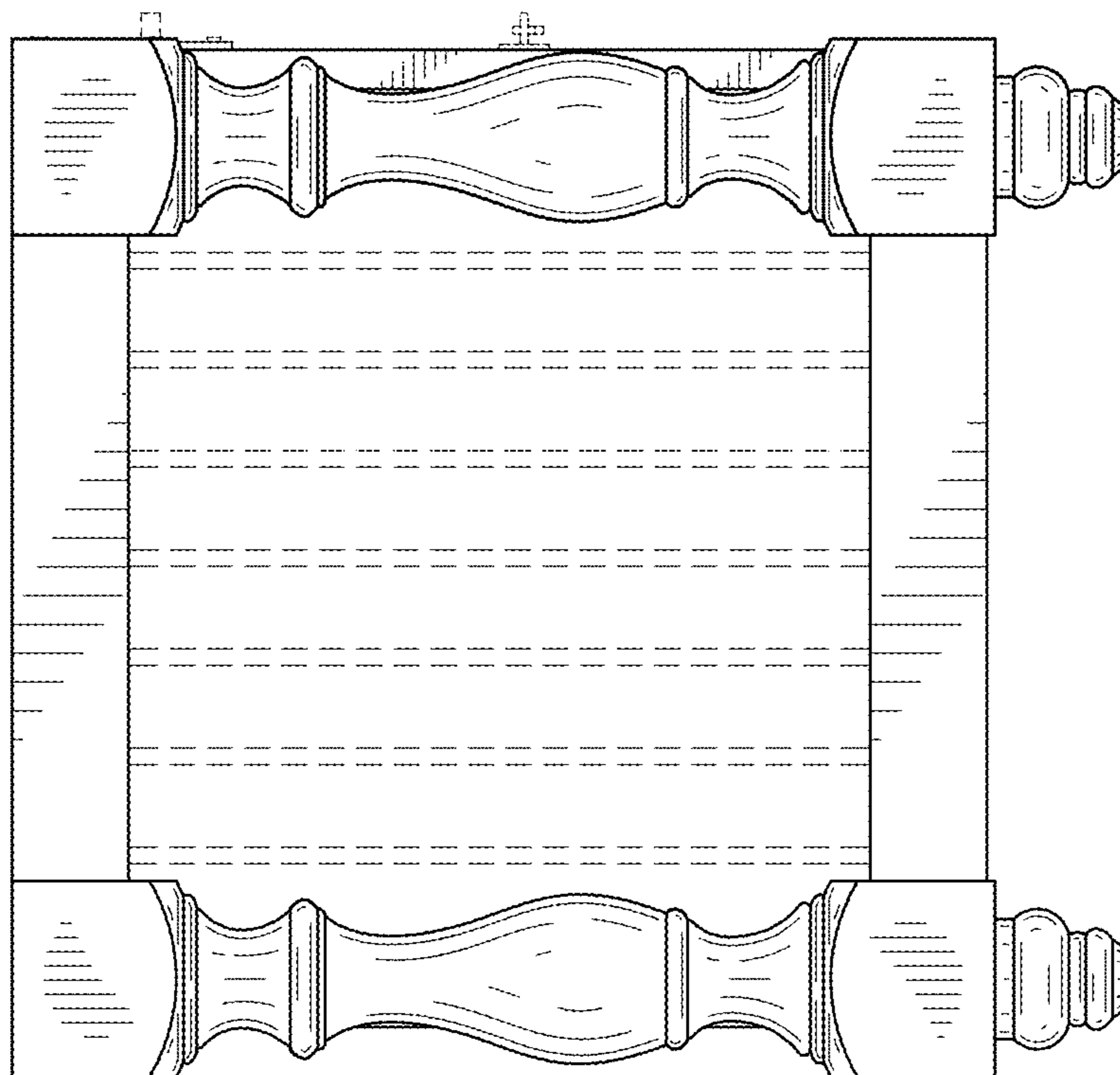


FIG. 13

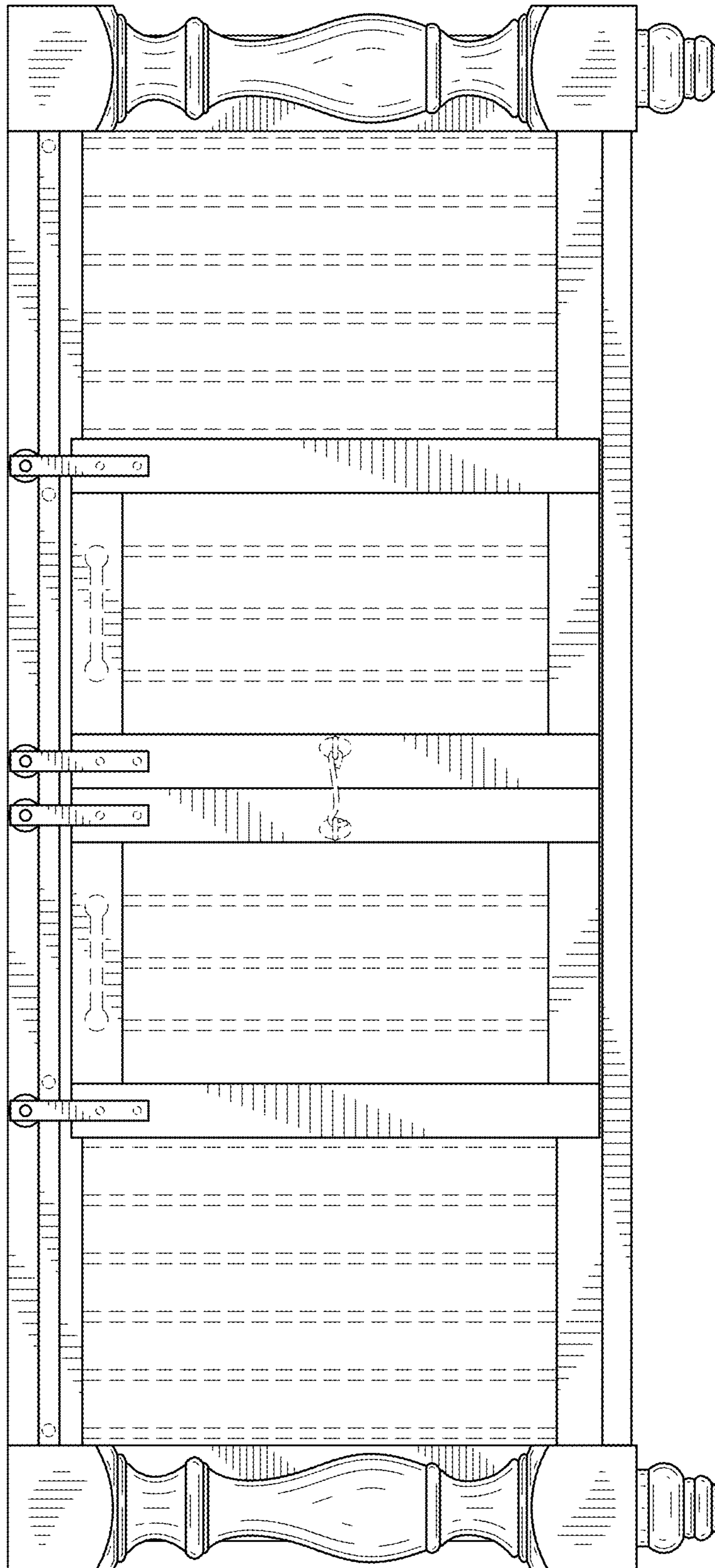


FIG. 15

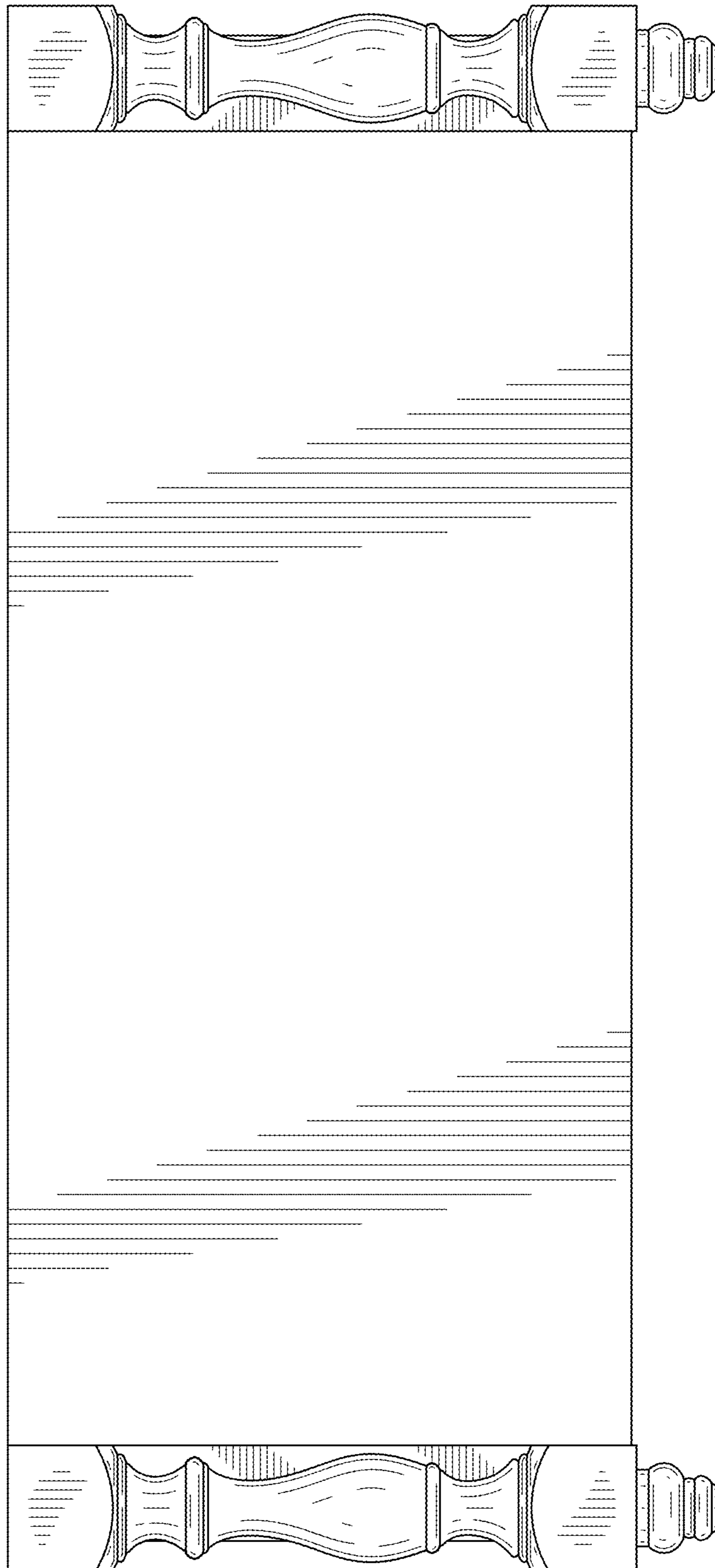


FIG. 16