



US0D1000681S

(12) **United States Design Patent** (10) **Patent No.:** **US D1,000,681 S**  
**Amato et al.** (45) **Date of Patent:** **\*\* Oct. 3, 2023**

(54) **LIGHTING FIXTURE**

(71) Applicant: **The Urban Electric Company**, North Charleston, SC (US)

(72) Inventors: **Michael Amato**, London (GB); **David Dawson**, Charleston, SC (US); **Joeangel Casanova**, Brooklyn, NY (US); **Jonathan Charpia**, Summerville, SC (US); **Brianna Magagnoli**, North Charleston, SC (US); **Janis Golubeckis**, Mount Pleasant, SC (US)

(73) Assignee: **The Urban Electric Company**, North Charleston, SC (US)

(\*\*) Term: **15 Years**

(21) Appl. No.: **29/805,746**

(22) Filed: **Aug. 30, 2021**

(51) **LOC (14) Cl.** ..... **26-03**

(52) **U.S. Cl.**  
USPC ..... **D26/89**

(58) **Field of Classification Search**  
USPC ..... D26/76, 89, 72, 80, 83, 85, 91  
CPC .... F21S 2/005; F21S 8/03; F21S 8/033; F21S 8/04; F21S 8/046; F21W 2131/1005; F21W 2131/107

See application file for complete search history.

(56) **References Cited**

**U.S. PATENT DOCUMENTS**

D656,654 S *	3/2012	Wauters	.....	D26/89
D705,471 S *	5/2014	Kim	.....	D26/89
D759,287 S *	6/2016	Chen	.....	D26/128
D834,235 S *	11/2018	Gambrel	.....	D26/89
D877,394 S *	3/2020	Amato	.....	D26/88
D898,980 S *	10/2020	Cai	.....	D26/89

D926,347 S	7/2021	Amato et al.	
D933,279 S *	10/2021	Wang	..... D26/89
D984,723 S *	4/2023	Chen	..... D26/128
D986,473 S *	5/2023	Browning	..... D26/89
D987,425 S *	5/2023	Wang	..... D26/24

**OTHER PUBLICATIONS**

Justice Design Group Lighting CLD-5555-NCKL Clips 12-Inch Square Flush-Mount from the Clouds Collection. ASIN: B0081KLX80. Date first available at amazon.com—May 8, 2012. (Year: 2012).\*  
AFX Sinclair LED Flush Mount Square Ceiling, Model No. SNF172400LAJUDSN. ASIN: B07SQ3SC64. Date first available at amazon.com—Jun. 5, 2019. (Year: 2019).\*

(Continued)

*Primary Examiner* — Clare E Heflin

(74) *Attorney, Agent, or Firm* — Haynsworth Sinkler Boyd, P.A.

(57) **CLAIM**

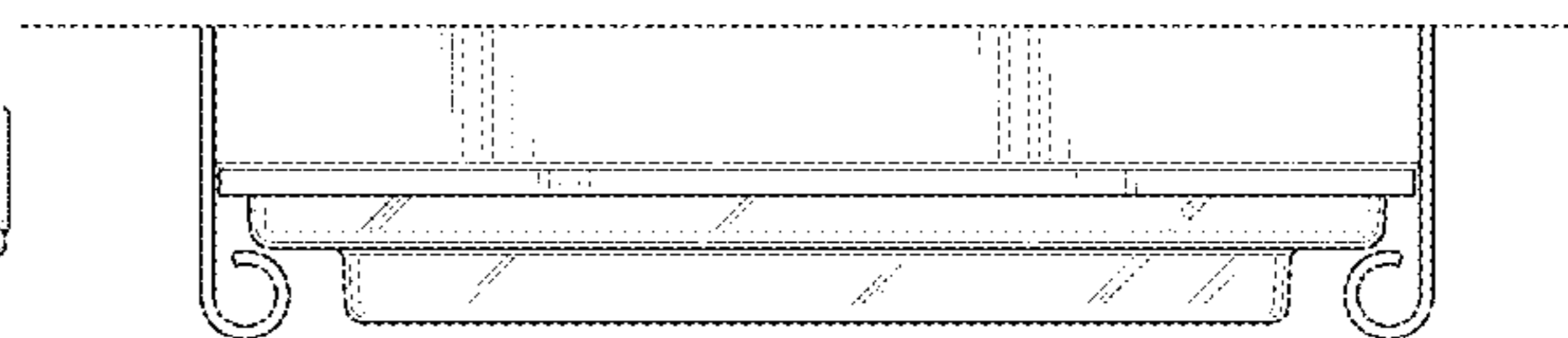
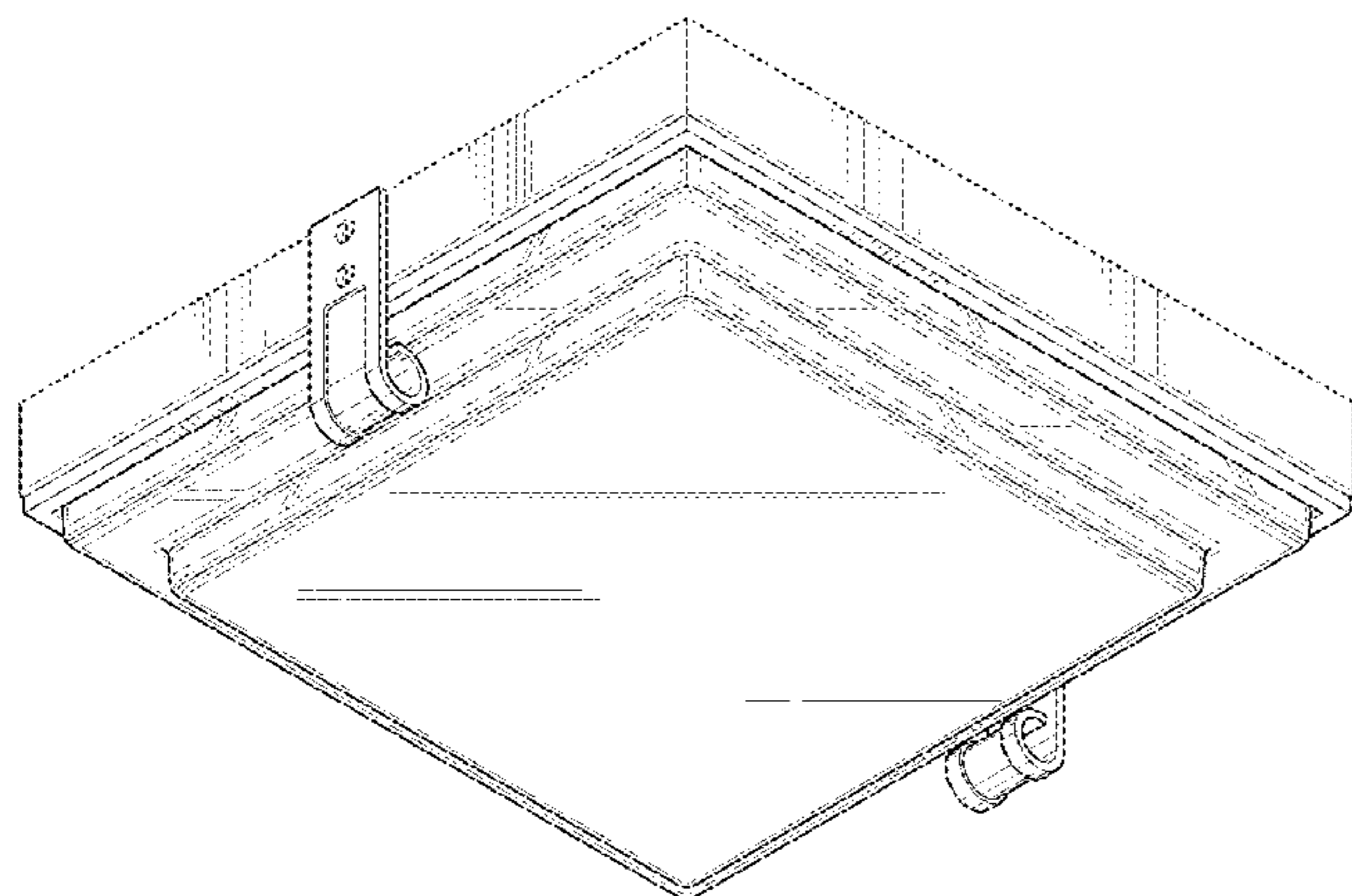
The ornamental design for a lighting fixture, as shown and described.

**DESCRIPTION**

FIG. 1 is a bottom perspective view of a lighting fixture depicting a new design;  
FIG. 2 is a top perspective view thereof;  
FIG. 3 is a front elevational view thereof;  
FIG. 4 is a back elevational view thereof;  
FIG. 5 is a left elevational view thereof;  
FIG. 6 is a right elevational view thereof;  
FIG. 7 is a top plan view thereof; and,  
FIG. 8 is a bottom plan view thereof.

The broken lines extending from the lighting fixture in FIGS. 3 through 6 represent environment which forms no part of the claimed design. The remaining broken line disclosures in the views represent portions of the lighting fixture that form no part of the claimed designs.

**1 Claim, 8 Drawing Sheets**



(56)

**References Cited**

OTHER PUBLICATIONS

Abra Matrix Black LED 12"Ceiling Light Fixture, Model No. 30012FM-BL . Available at [affordablelamps.com](http://affordablelamps.com). Site visited Jul. 29, 2023. (Year: 2023).\*

George Kovacs Hooked, 1 Light LED Flush Mount, Model No. P1111-613-L, ASIN: B00CMAXYZO. Date first available at [amazon.com](http://amazon.com)—May 2, 2013. (Year: 2013).\*

\* cited by examiner

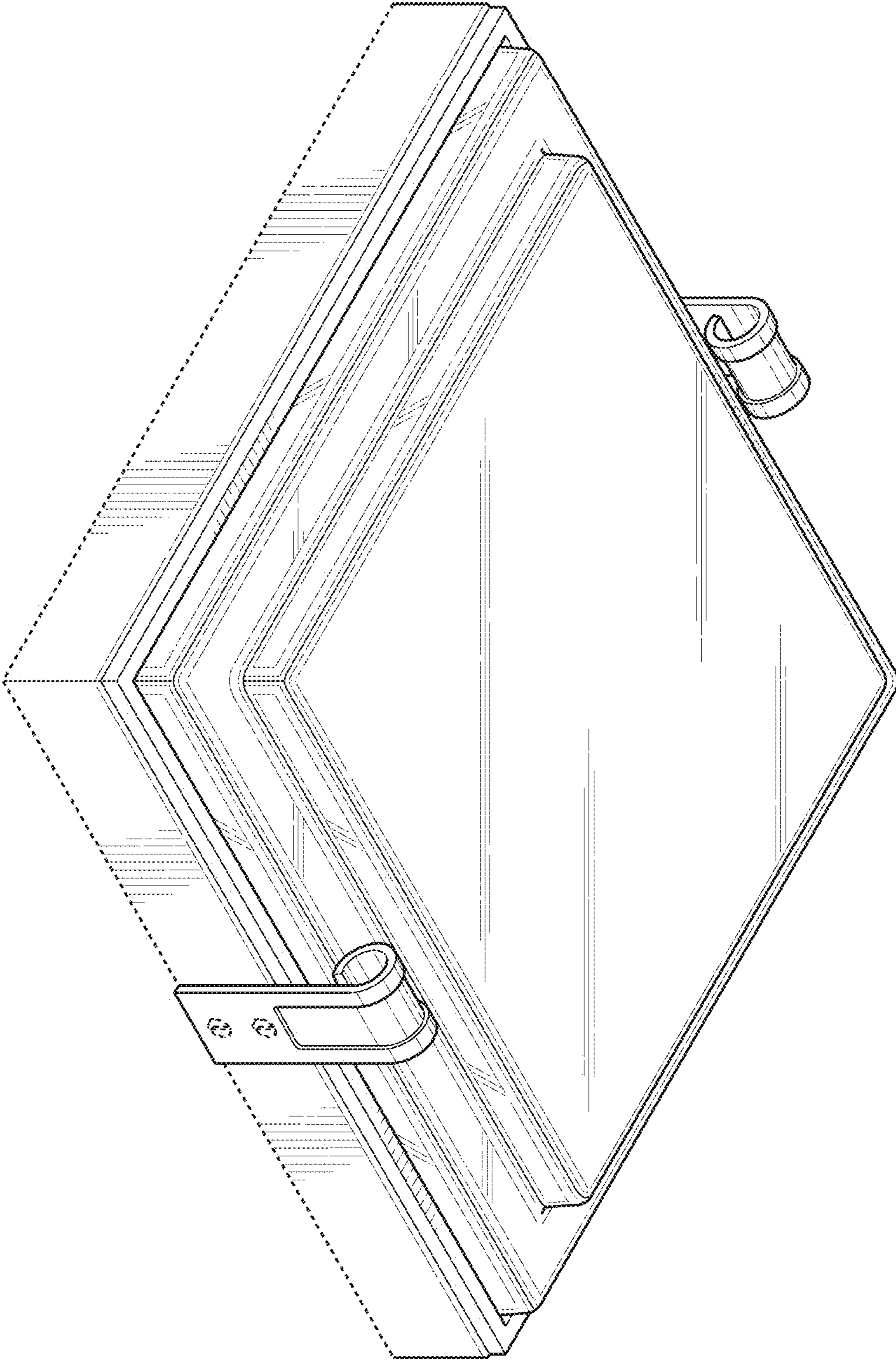


FIG. 1

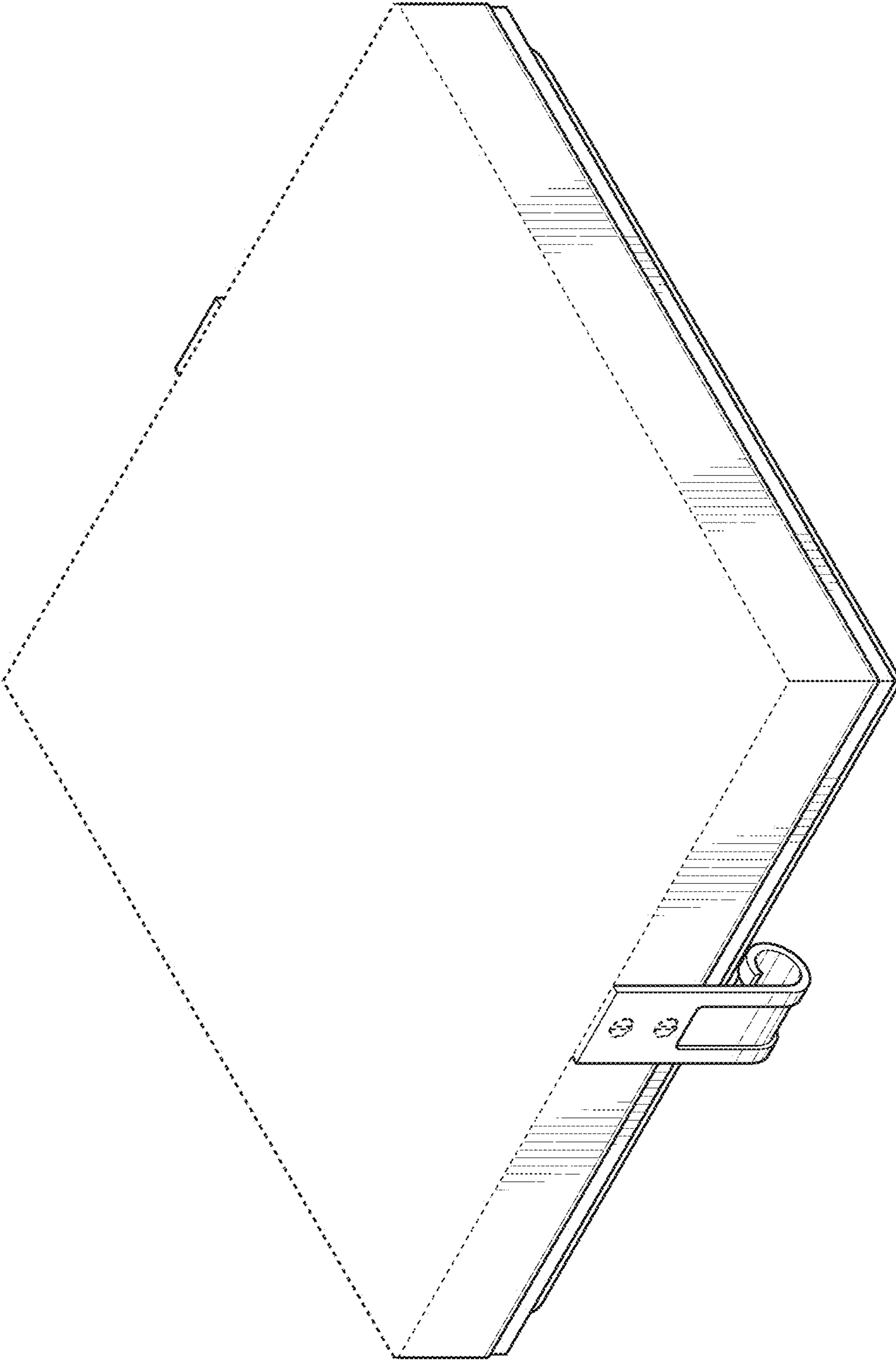


FIG. 2

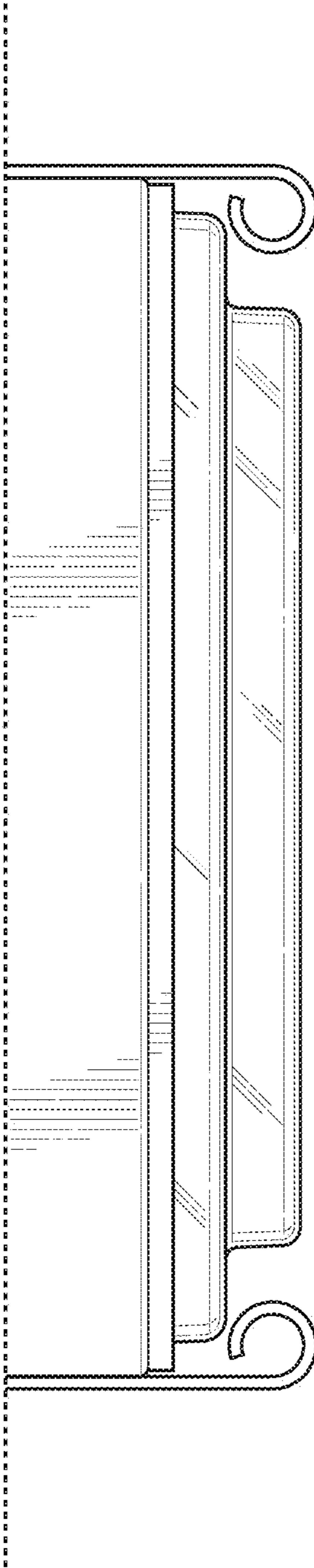


FIG. 3

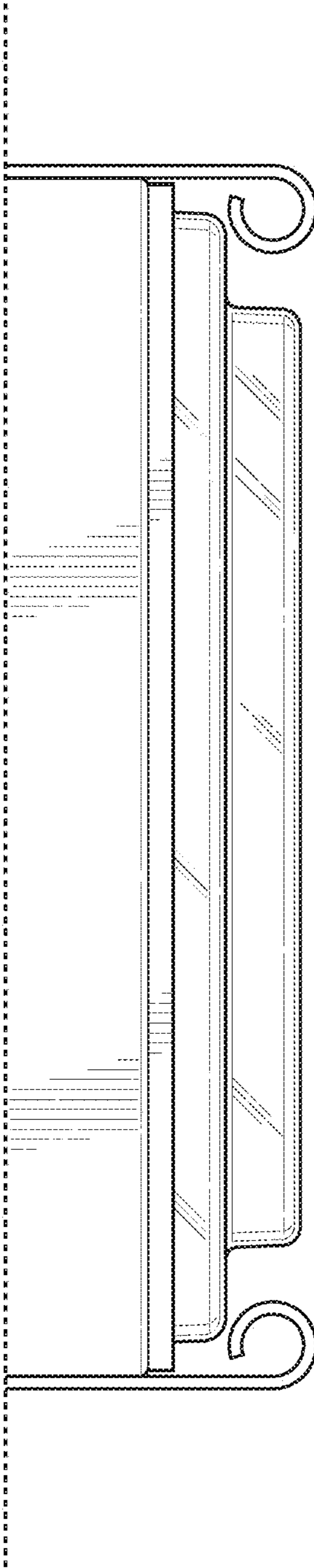


FIG. 4

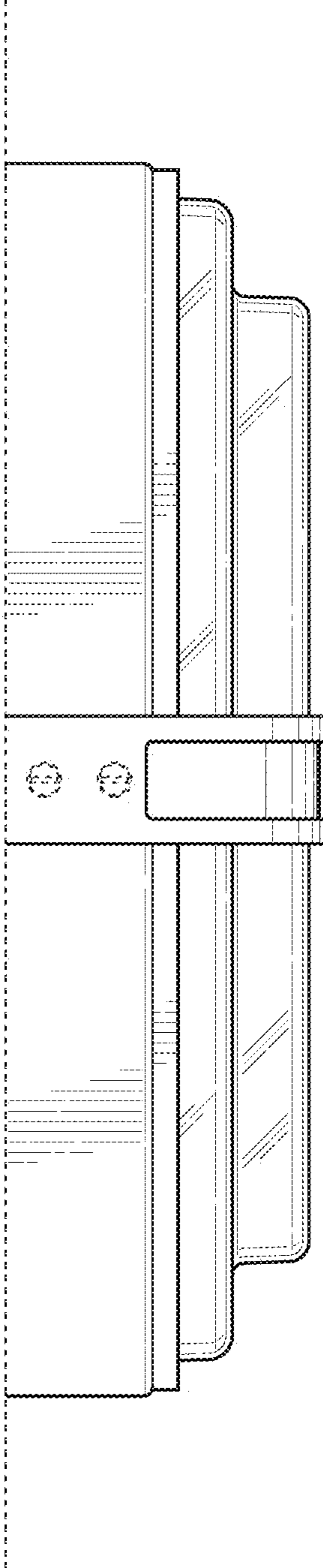


FIG. 5

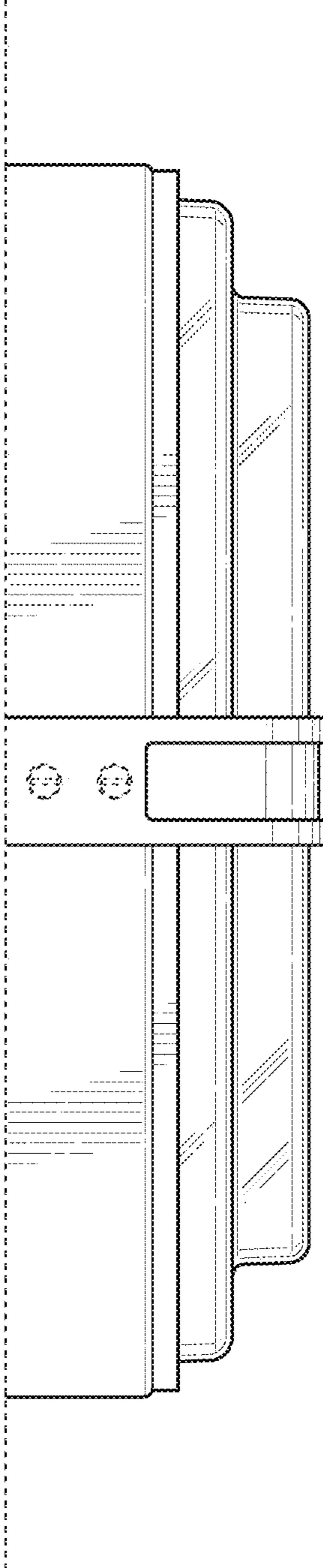


FIG. 6



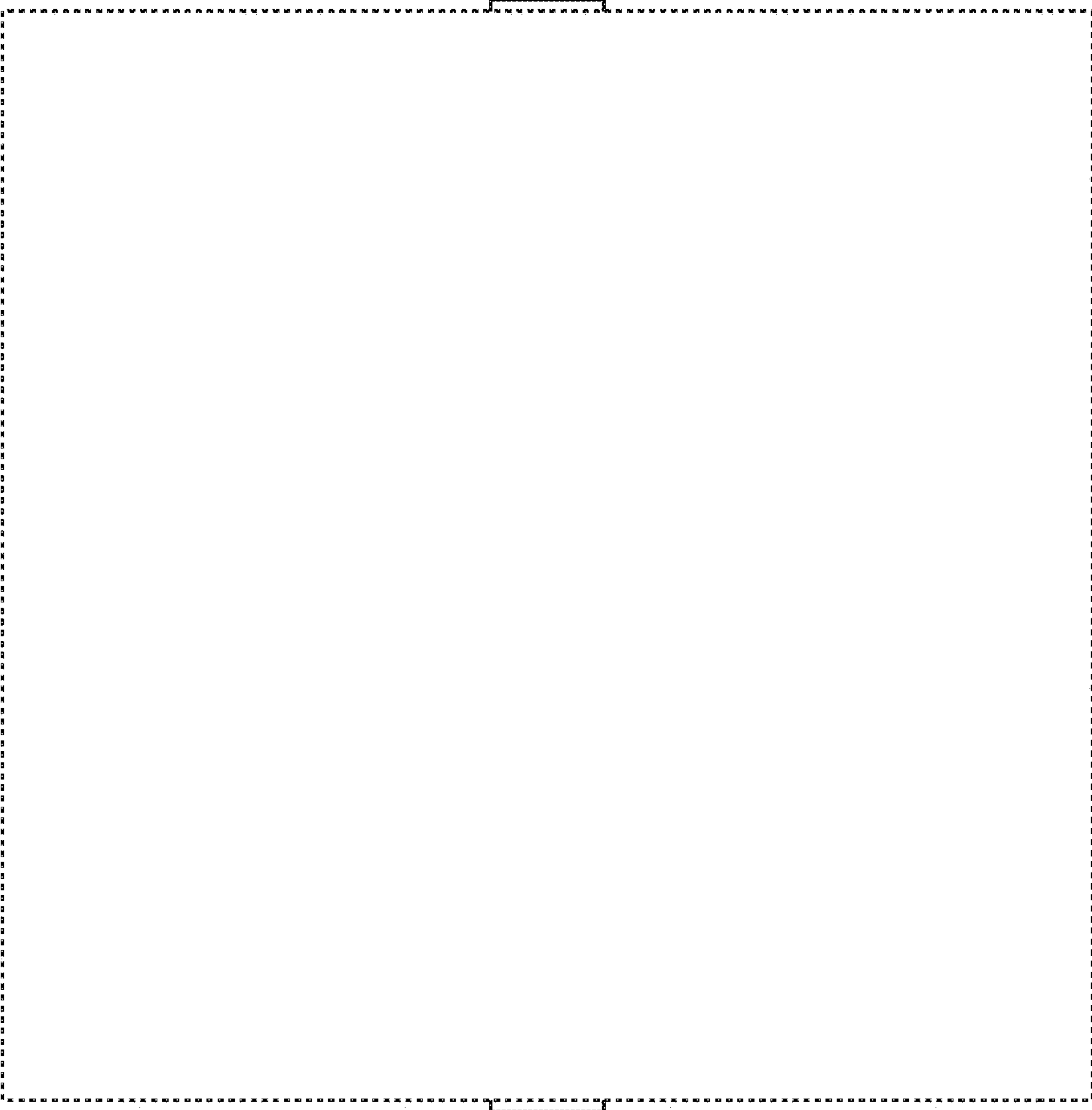


FIG. 7

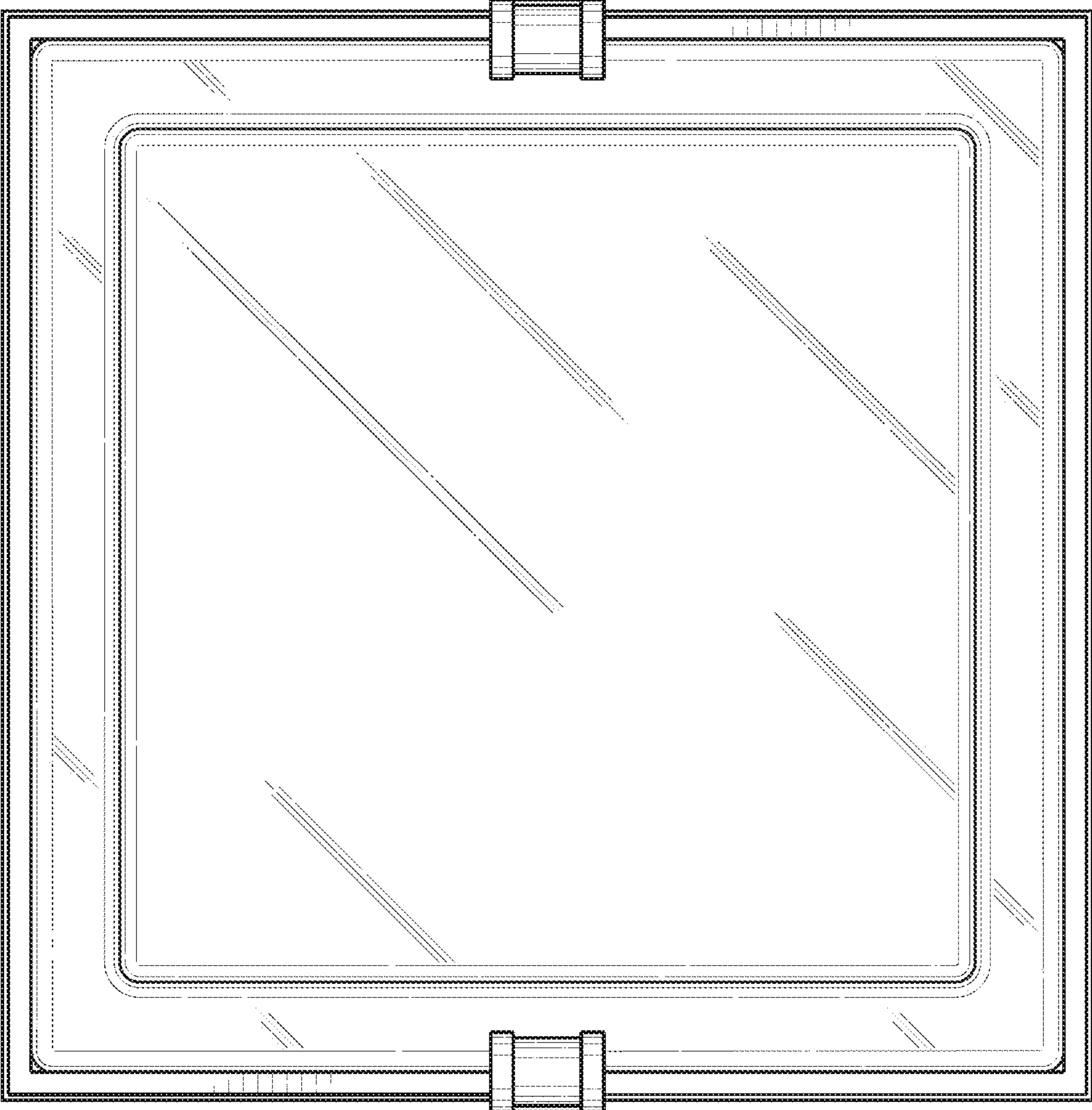


FIG. 8