



US0D1000554S

(12) **United States Design Patent** (10) **Patent No.:** **US D1,000,554 S**
Lin (45) **Date of Patent:** **** Oct. 3, 2023**

(54) **PLANKING PLATFORM WITH BASE**

(71) Applicant: **Zhejiang Lixin Sports Equipment Co., Ltd.**, Huzhou (CN)

(72) Inventor: **Keng-Che Lin**, Hangzhou (CN)

(73) Assignee: **Zhejiang Lixin Sports Equipment Co., Ltd.**, Huzhou (CN)

(**) Term: **15 Years**

(21) Appl. No.: **29/828,462**

(22) Filed: **Feb. 25, 2022**

(30) **Foreign Application Priority Data**

Sep. 1, 2021 (CN) 202130575904.8

(51) **LOC (14) Cl.** **21-02**

(52) **U.S. Cl.**
USPC **D21/688**

(58) **Field of Classification Search**
USPC D21/399, 412, 443, 662, 671, 683, 685,
D21/686, 687, 688, 689, 694, 698, 798;
D24/171, 200, 211, 231
CPC A61H 2203/0406; A61H 15/00; A61H
2015/0042; A61H 2201/1623; A61H
39/02; A63B 21/4037; A63B 22/16; A63B
22/18

See application file for complete search history.

(56) **References Cited**

U.S. PATENT DOCUMENTS

D489,778 S *	5/2004	Fan	D21/688
D507,026 S *	7/2005	Chen	D21/688
D612,896 S *	3/2010	Talley	D21/686
D627,015 S *	11/2010	Senegal	D21/662
D660,928 S *	5/2012	Guarrasi	D21/688
D847,358 S *	4/2019	Matsushita	D24/200
D865,195 S *	10/2019	Matsushita	D24/200
D870,828 S *	12/2019	Dicharry	D21/688

D903,790 S *	12/2020	Matsushita	D21/662
D921,778 S *	6/2021	Grbic	D21/686
D926,268 S *	7/2021	Xu	D21/662
D941,942 S *	1/2022	Schmidt	D21/688
D952,070 S *	5/2022	Gridley	F24F 11/89 D21/686

(Continued)

OTHER PUBLICATIONS

“Stealthgo + Portable Plank Board Core Trainer” Jan. 10, 2022, Amazon, site visited May 3, 2023: <https://www.amazon.com/StealthGO-Portable-Plank-Board-Trainer/dp/B09Q4CWLX8> (Year: 2022).*

(Continued)

Primary Examiner — Jack Reickel

Assistant Examiner — Salamah Jordan

(74) *Attorney, Agent, or Firm* — ScienBiziP, P.C.

(57) **CLAIM**

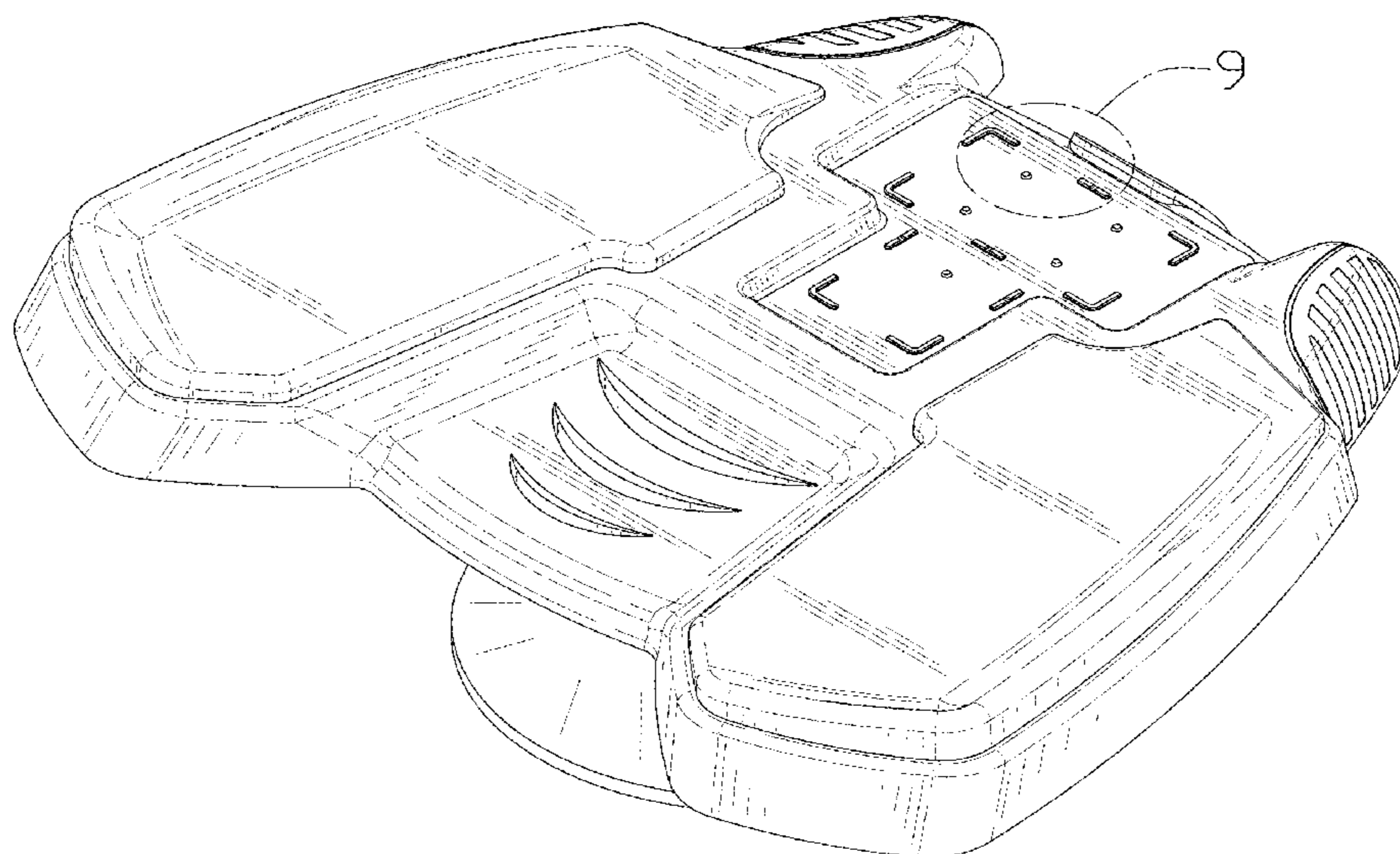
The ornamental design for a planking platform with base, as shown and described.

DESCRIPTION

FIG. 1 is a front, right and top perspective view of a planking platform with base, showing my design.
FIG. 2 is a rear, left and bottom perspective view thereof.
FIG. 3 is a front elevation view thereof.
FIG. 4 is a rear elevation view thereof.
FIG. 5 is a left side elevation view thereof.
FIG. 6 is a right side elevation view thereof.
FIG. 7 is a top plan view thereof.
FIG. 8 is a bottom plan view thereof; and,
FIG. 9 is a partial enlarged view of an area labeled 9 in FIG. 1 comprising humps.

The broken lines in the drawings depict portions of the planking platform with base that form no part of the claimed design. In addition, the dot-dash broken lines in the drawings illustrate an enlarged portion of the design.

1 Claim, 9 Drawing Sheets



(56)

References Cited

U.S. PATENT DOCUMENTS

D973,156 S * 12/2022 Klopman A63B 26/003
D21/686
2006/0105895 A1* 5/2006 Lu A63B 26/003
2015/0238795 A1* 8/2015 Domesick A63B 21/0023
2016/0220862 A1* 8/2016 Johnson A63B 21/068
2020/0289884 A1* 9/2020 Davide A63B 21/4035
2023/0048498 A1* 2/2023 Domesick A63B 21/4035

OTHER PUBLICATIONS

“Stealth Abs + Plank Core Trainer” Oct. 15, 2018, Amazon, site visited May 3, 2023: <https://www.amazon.com/dp/B07JG5R256> (Year: 2018).*

“Here’s How The Stealth Core Trainer Works” Dec. 24, 2019, Youtube, May 3, 2023: <https://www.youtube.com/watch?v=z-rMP7Ci12U> (Year: 2019).*

* cited by examiner

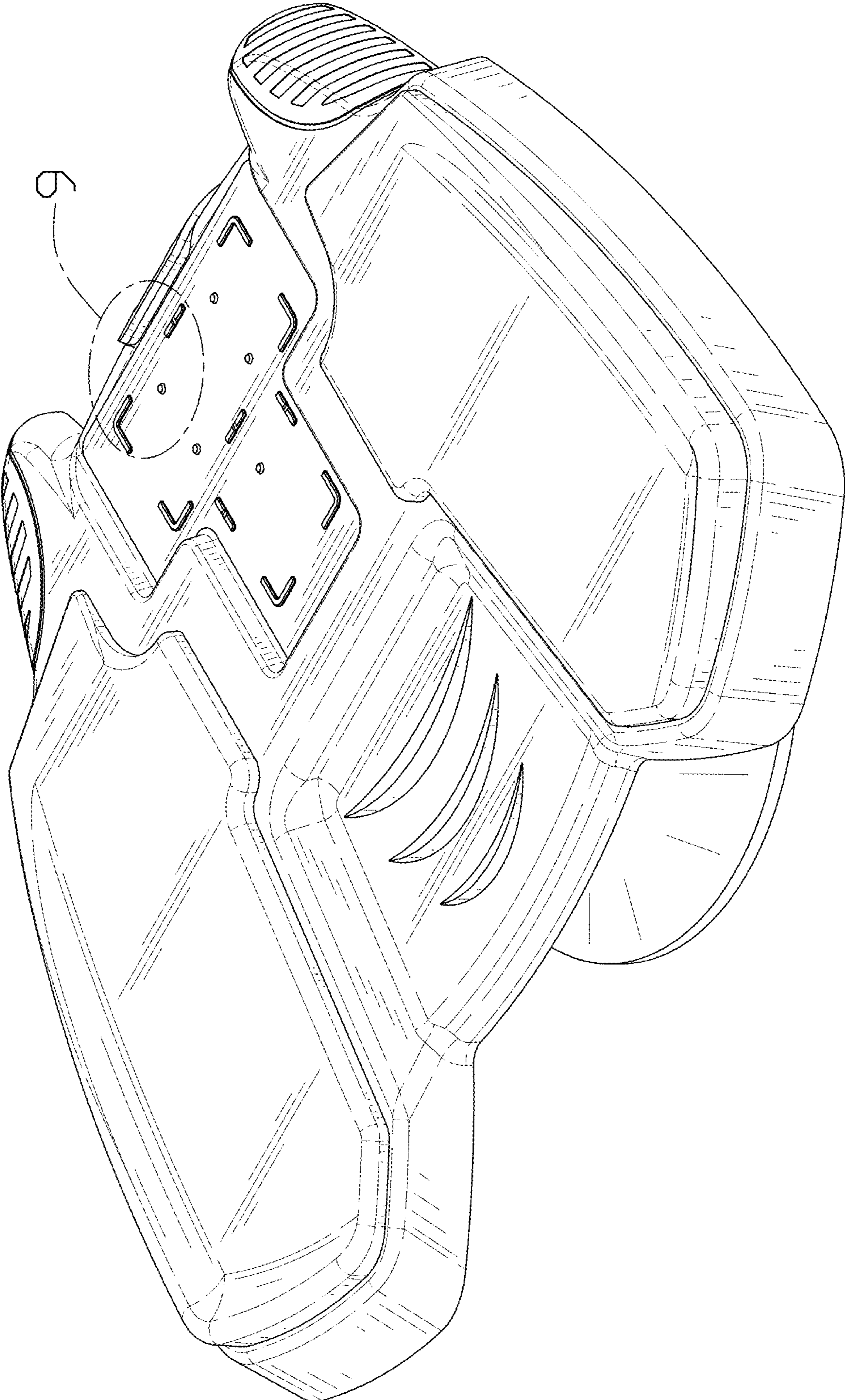


FIG. 1

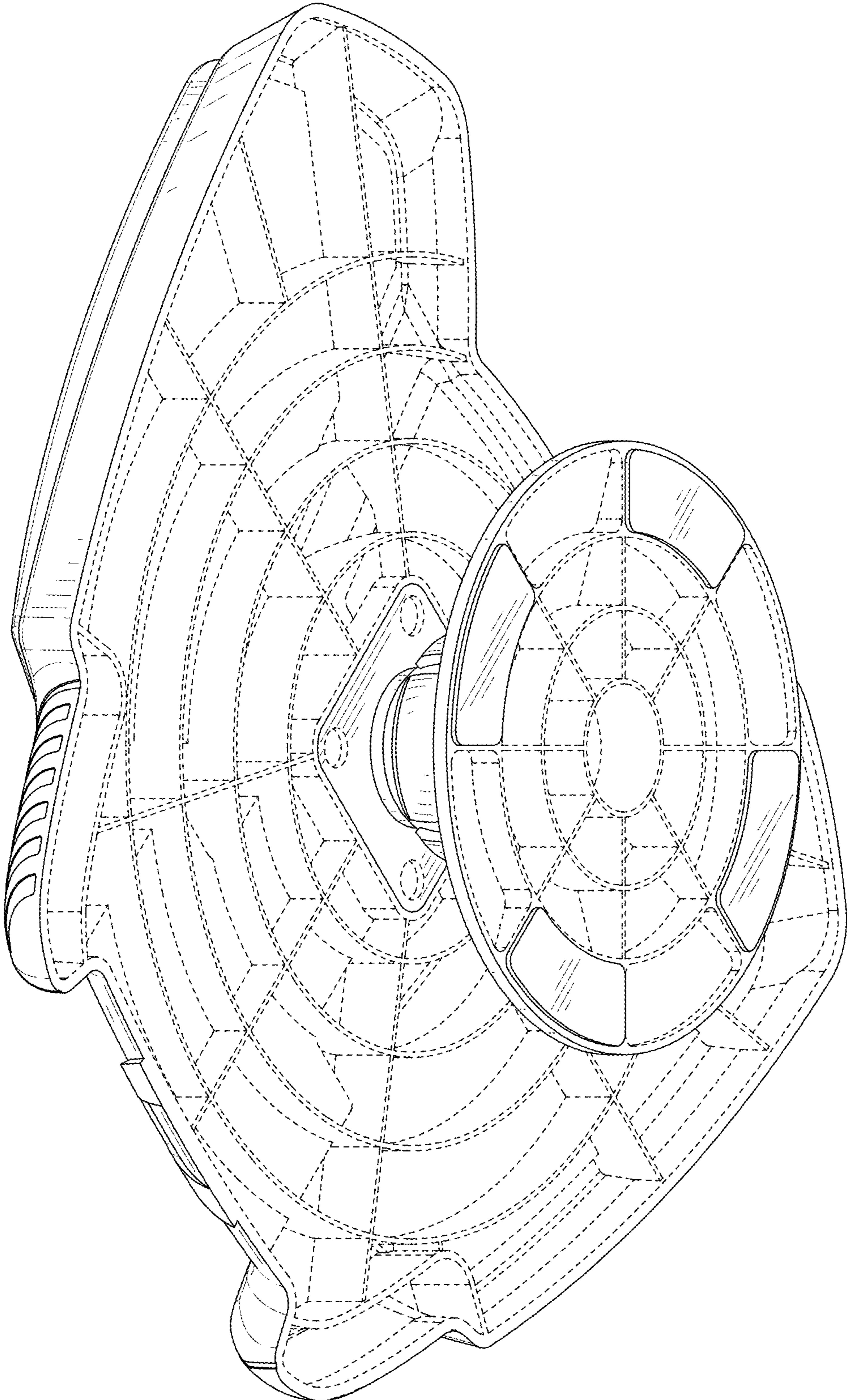


FIG. 2

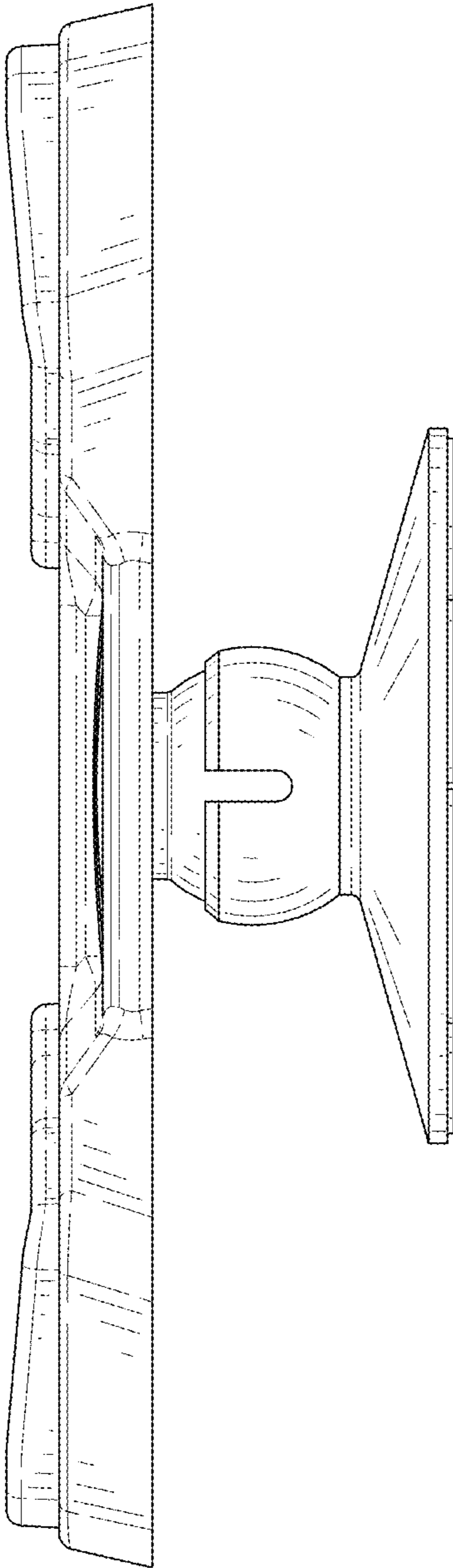


FIG. 3

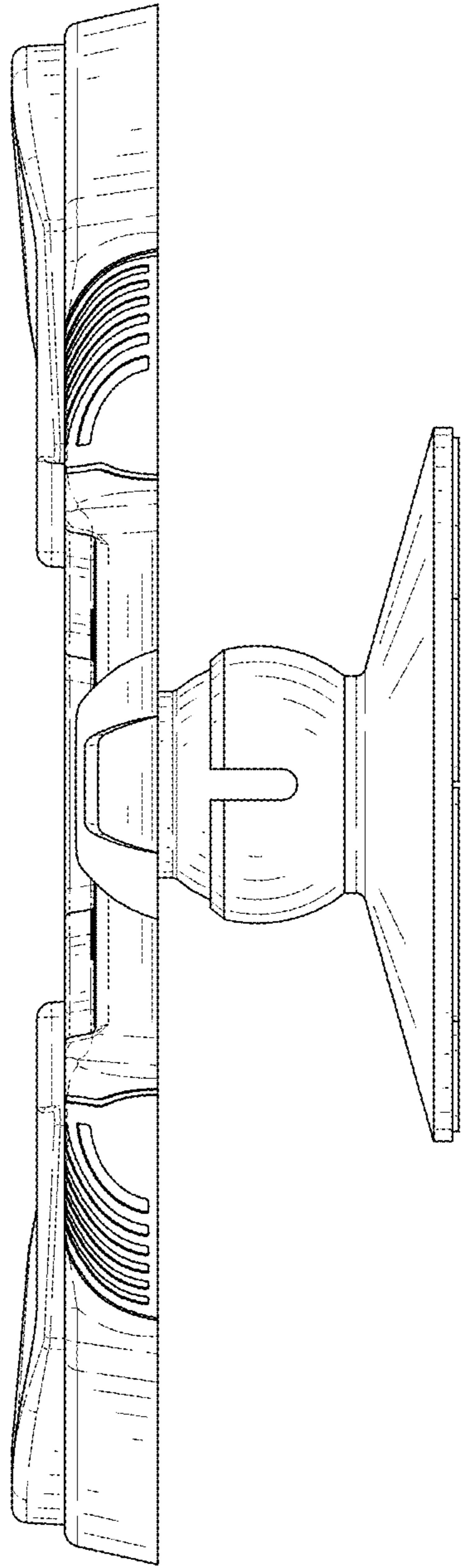


FIG. 4

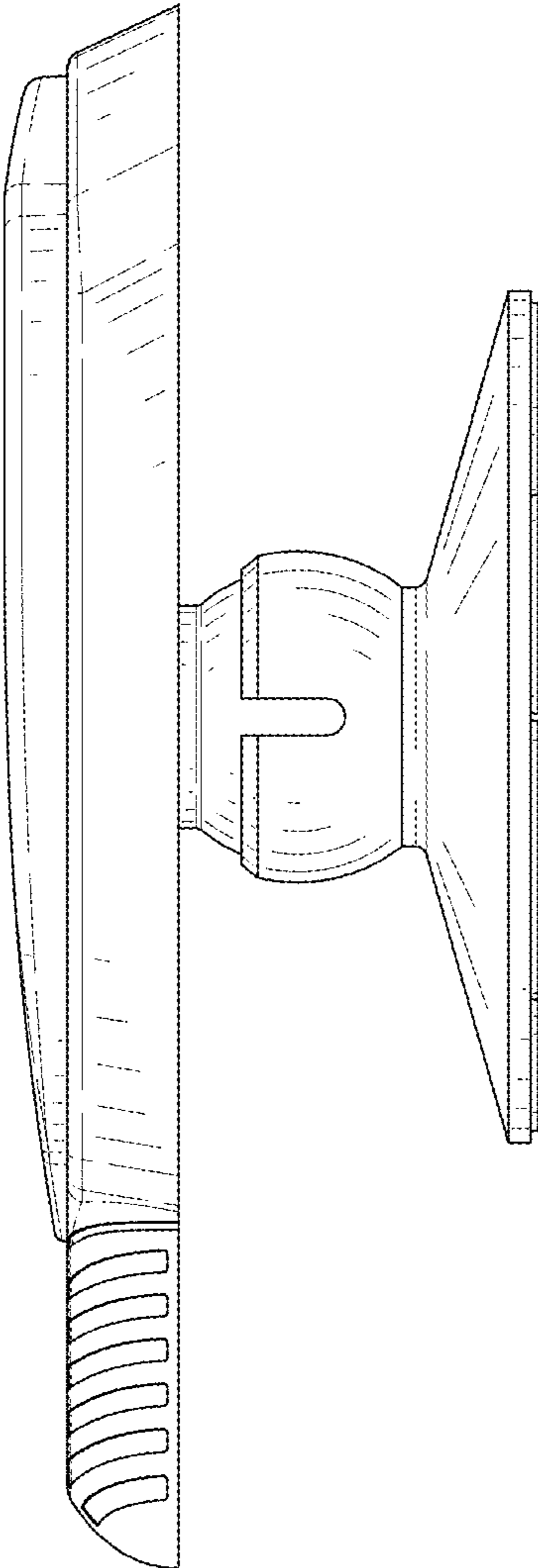


FIG. 5

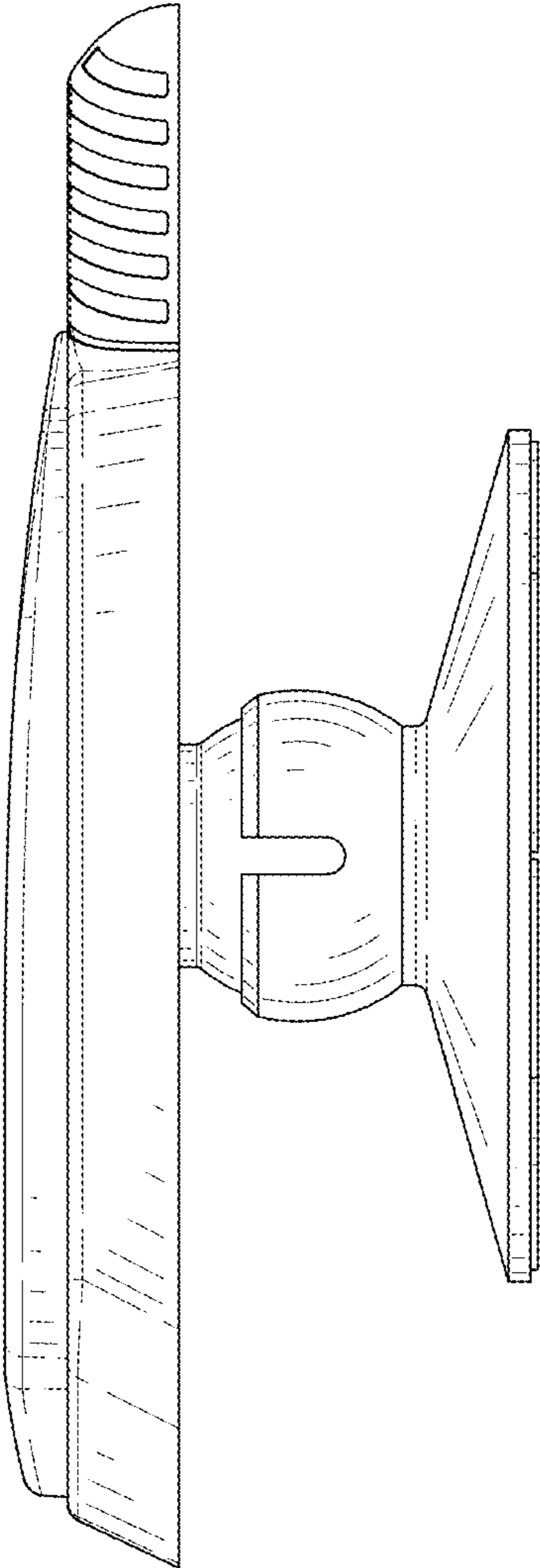


FIG. 6

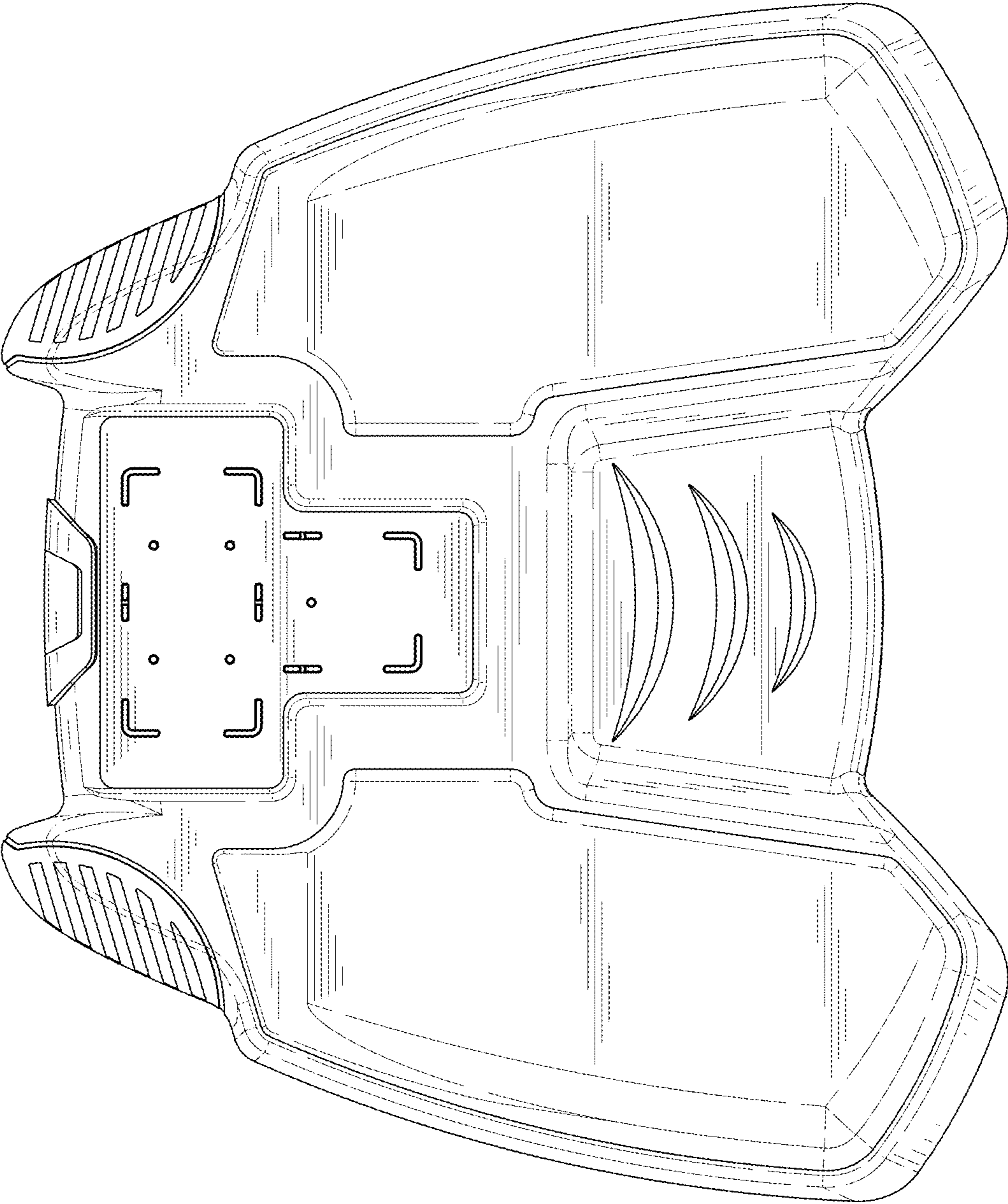


FIG. 7

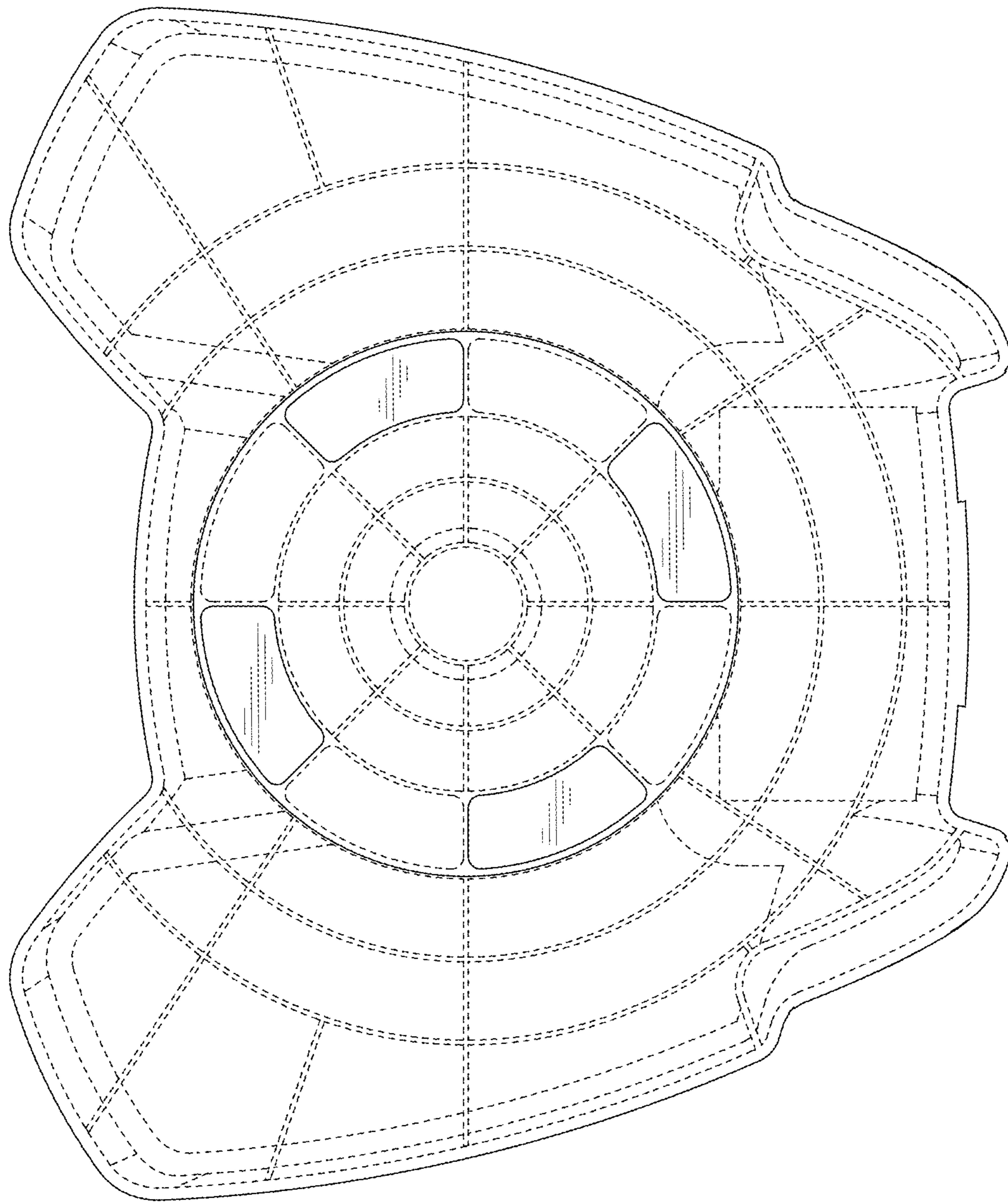


FIG. 8

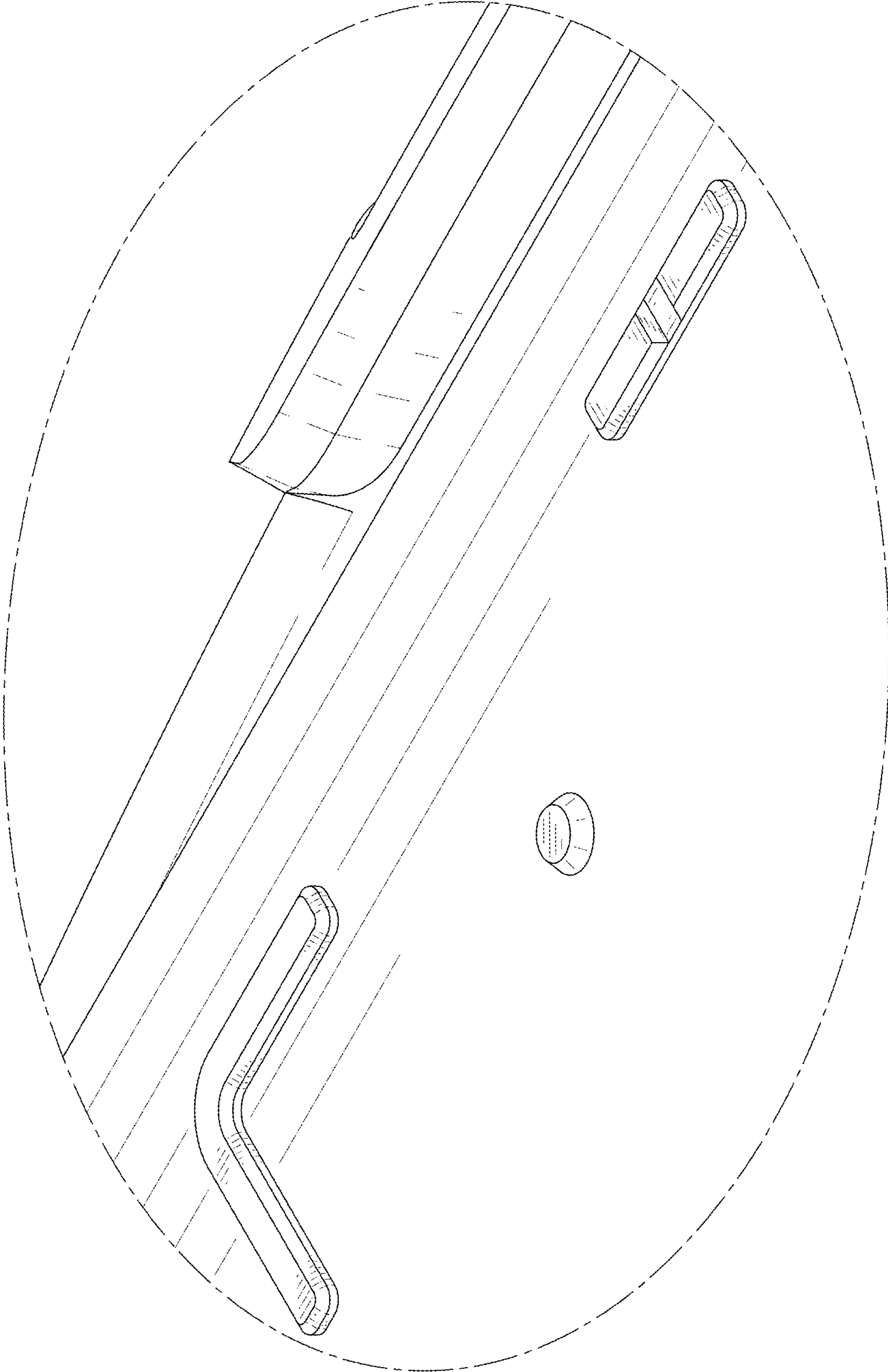


FIG. 9