



US0D1000243S

(12) **United States Design Patent**
Li

(10) **Patent No.: US D1,000,243 S**

(45) **Date of Patent: ** Oct. 3, 2023**

- (54) **ELECTRIC SCISSORS**
- (71) Applicant: **Suzhou Ailixi Brushless Motor Co., Ltd., Suzhou (CN)**
- (72) Inventor: **Yagui Li, Suzhou (CN)**
- (73) Assignee: **Suzhou Ailixi Brushless Motor Co., Ltd., Suzhou (CN)**
- (**) Term: **15 Years**
- (21) Appl. No.: **29/798,770**
- (22) Filed: **Jul. 9, 2021**
- (51) **LOC (14) Cl. 08-05**
- (52) **U.S. Cl.**
USPC **D8/61**
- (58) **Field of Classification Search**
USPC D8/5, 57, 61, 70
CPC H02K 7/06; B26B 15/00; A01G 3/037;
H02P 3/08; H02P 7/04
See application file for complete search history.

- D959,224 S * 8/2022 Li A01G 3/037
D8/61
- D966,853 S * 10/2022 Chen B26B 15/00
D8/61
- 2005/0160606 A1* 7/2005 Yao B26B 15/00
30/228
- 2010/0077621 A1* 4/2010 Quigley B26B 15/00
30/228
- 2010/0192383 A1* 8/2010 Ishiguro A01G 3/037
30/247
- 2012/0246942 A1* 10/2012 Nie A01G 3/037
30/247
- 2013/0000130 A1* 1/2013 Maniwa A01G 3/037
30/228
- 2013/0019481 A1* 1/2013 Yamaoka A01G 3/037
30/266
- 2013/0055574 A1* 3/2013 Nie B26B 15/00
30/228
- 2013/0276313 A1* 10/2013 Zhou A01G 3/037
30/228
- 2014/0165411 A1* 6/2014 Binder B26B 15/00
30/228

(Continued)

Primary Examiner — Philip S Hyder
(74) *Attorney, Agent, or Firm* — Shen Huang

(56) **References Cited**

U.S. PATENT DOCUMENTS

- 6,044,564 A * 4/2000 Jeltsch A01G 3/037
30/247
- D570,660 S * 6/2008 Wang D8/61
- D633,765 S * 3/2011 Nakamura A01G 3/037
D8/61
- D657,221 S * 4/2012 Isobe D8/61
- 10,099,392 B2* 10/2018 Suda H02K 7/06
- D891,214 S * 7/2020 Lu F16C 11/0604
D8/61
- D907,978 S * 1/2021 Schaefer B23D 29/02
D8/98
- D926,543 S * 8/2021 Chen A01G 3/037
D8/61
- D930,449 S * 9/2021 Chen B26B 15/00
D8/61

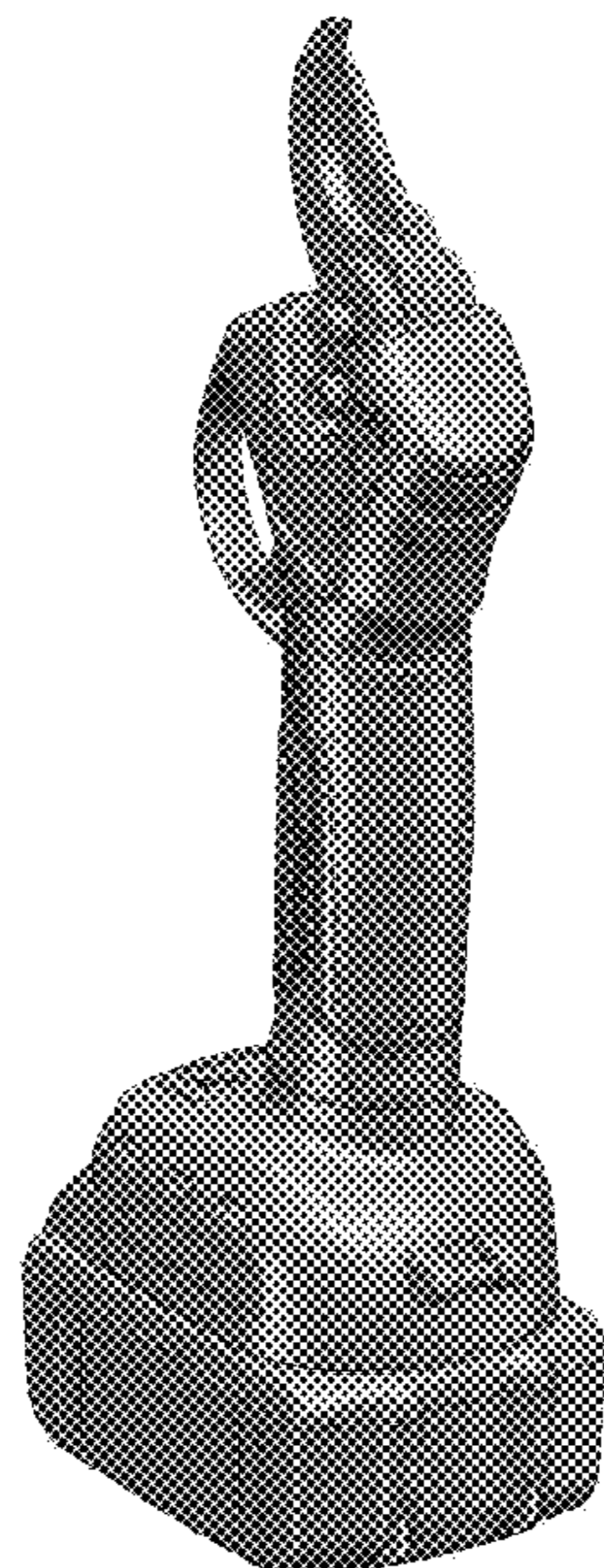
(57) **CLAIM**

The ornamental design for an electric scissors, as shown and described.

DESCRIPTION

FIG. 1 is a top, front, and right side perspective view of an electric scissors, showing my new design;
FIG. 2 is a front elevation view thereof;
FIG. 3 is a rear elevation view thereof;
FIG. 4 is a left side elevation view thereof;
FIG. 5 is a right side elevation view thereof;
FIG. 6 is a top plan view thereof; and,
FIG. 7 is a bottom plan view thereof.

1 Claim, 6 Drawing Sheets



(56)

References Cited

U.S. PATENT DOCUMENTS

2015/0113810 A1* 4/2015 Zurcher F16C 11/0604
74/89.36
2015/0121706 A1* 5/2015 Zurcher B23D 29/02
74/89.36
2016/0219793 A1* 8/2016 Xianpeng A01G 3/037
2017/0251607 A1* 9/2017 Pellenc B26B 15/00
2017/0359962 A1* 12/2017 Ma A01G 3/037
2018/0103593 A1* 4/2018 Zador B26B 15/00
2018/0272445 A1* 9/2018 Perkins B23D 29/00
2021/0068349 A1* 3/2021 Sabie A01G 3/037
2021/0299894 A1* 9/2021 Lu B26B 13/285
2022/0312680 A1* 10/2022 Nii B26B 15/00

* cited by examiner

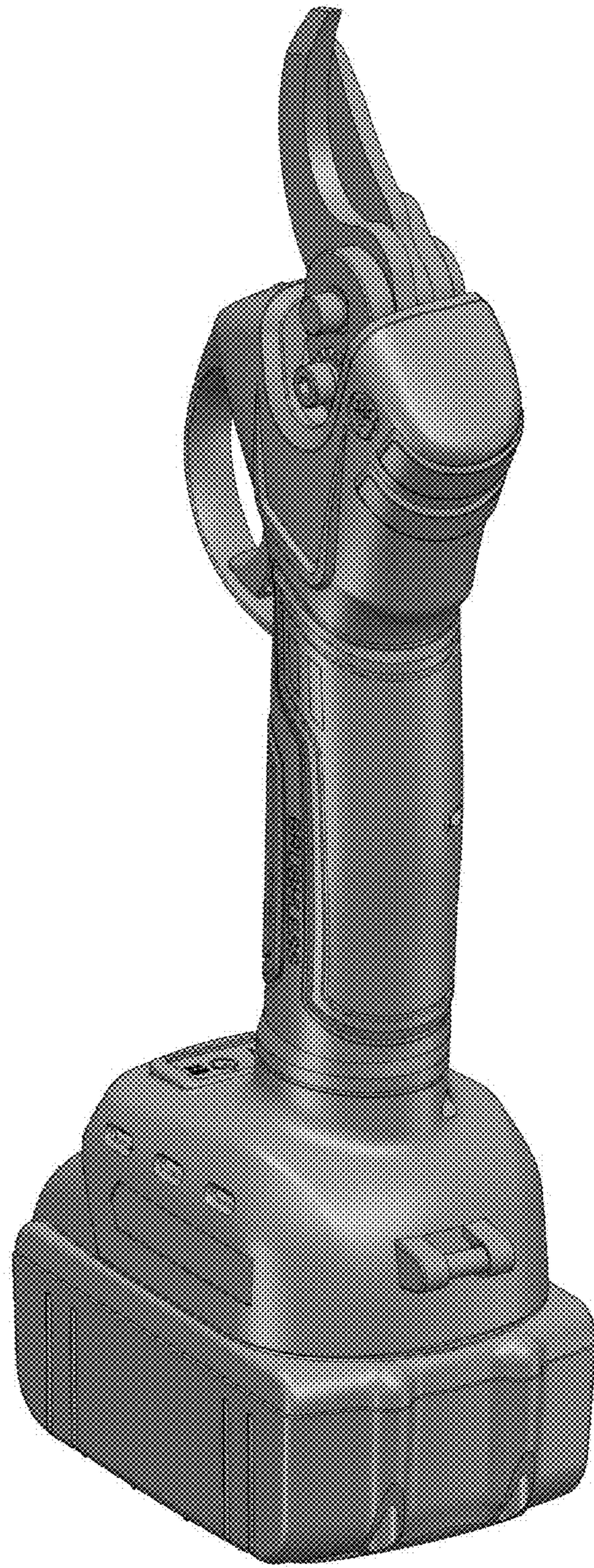


FIG.1



FIG.2



FIG.3

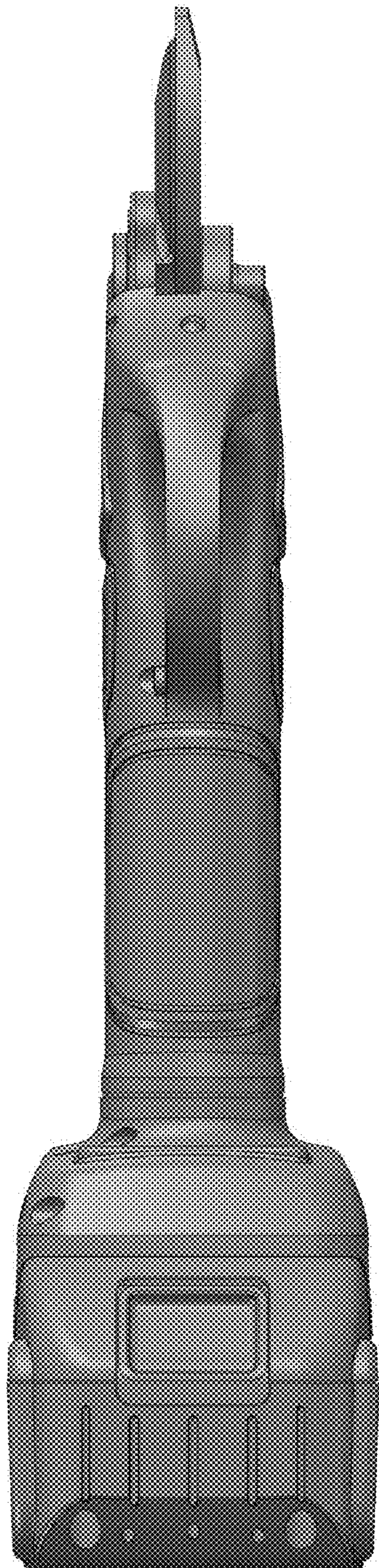


FIG. 4



FIG. 5

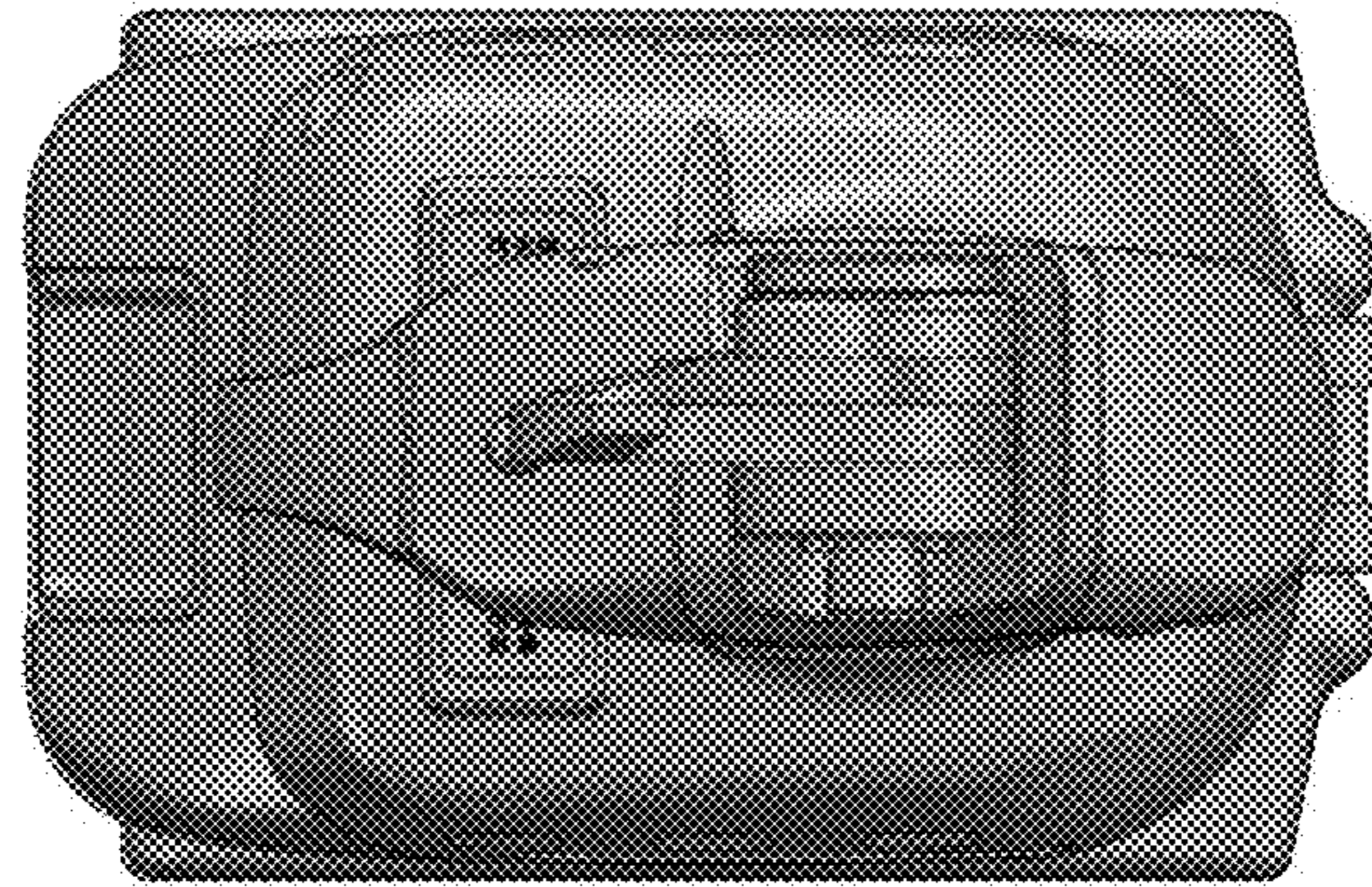


FIG. 6

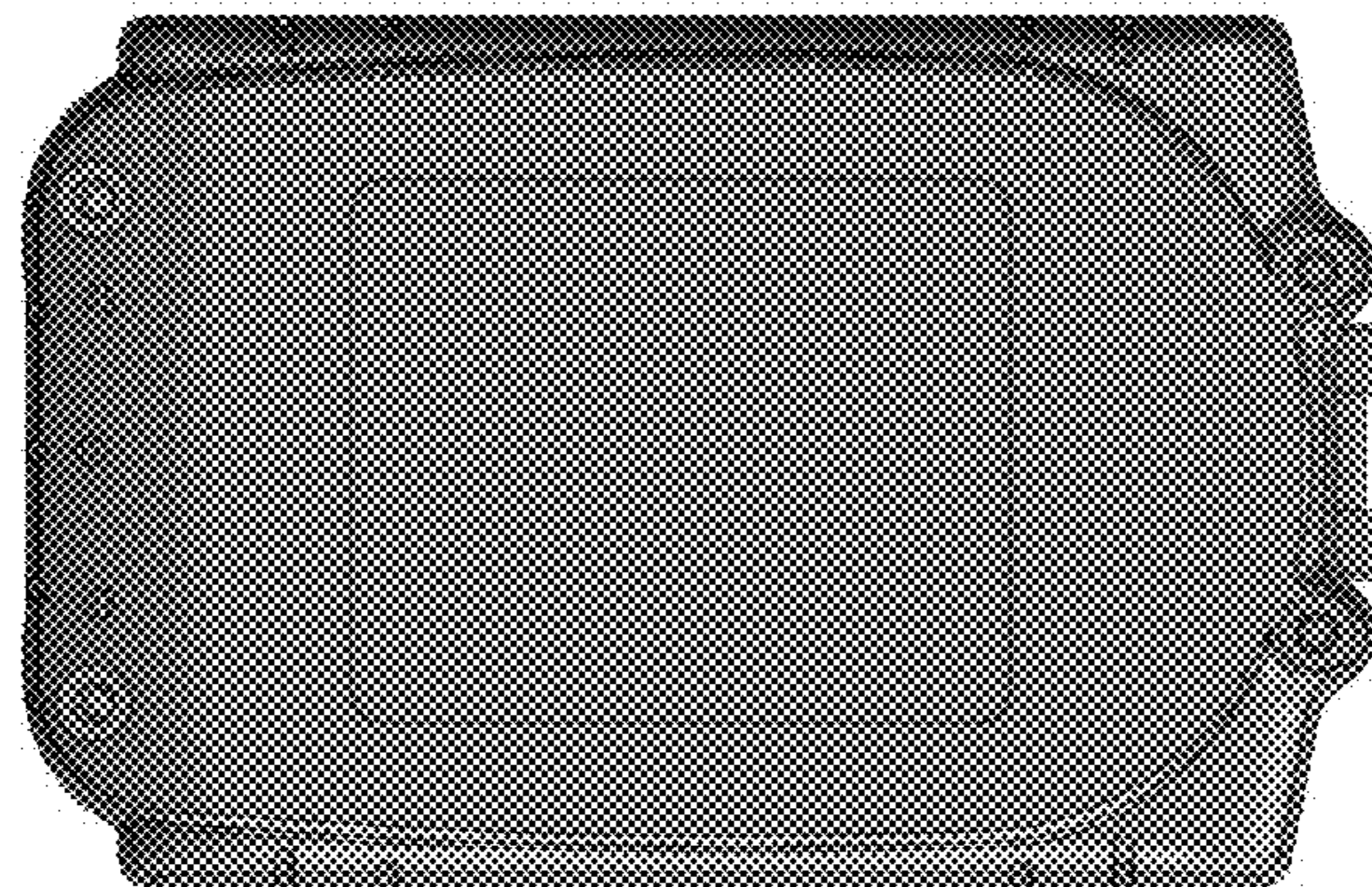


FIG. 7