



US0D1000159S

(12) **United States Design Patent** (10) **Patent No.:** **US D1,000,159 S**  
**Zhang** (45) **Date of Patent:** **\*\* Oct. 3, 2023**

(54) **IRONING BOARD HOLDER**

(71) Applicant: **Dengmei Zhang**, Guangdong (CN)

(72) Inventor: **Dengmei Zhang**, Guangdong (CN)

(\*\*) Term: **15 Years**

(21) Appl. No.: **29/892,972**

(22) Filed: **May 24, 2023**

(30) **Foreign Application Priority Data**

Dec. 23, 2022 (CN) ..... 202230858074.4

(51) **LOC (14) Cl.** ..... **07-05**

(52) **U.S. Cl.**  
USPC ..... **D6/566**

(58) **Field of Classification Search**  
USPC ..... D6/514, 540, 552, 566; D8/367,  
D8/370-373; D32/66, 73  
CPC ..... A47B 96/06; D06F 81/06  
See application file for complete search history.

(56) **References Cited**

**U.S. PATENT DOCUMENTS**

D354,412 S *	1/1995	Emery	.....	D6/548
D470,394 S *	2/2003	Harwanko	.....	D8/372
D499,286 S *	12/2004	Harwanko	.....	D6/514
D547,098 S *	7/2007	Goodman	.....	D6/514
D565,882 S *	4/2008	Goodman	.....	D6/514
D570,633 S *	6/2008	Goodman	.....	D6/566
D692,683 S *	11/2013	Coraluzzo	.....	D6/514
D743,779 S *	11/2015	Cohen	.....	D8/371
D891,144 S *	7/2020	Felsenthal	.....	D6/514
D943,855 S *	2/2022	Park	.....	D32/66
D981,828 S *	3/2023	Hunt	.....	D8/372

**FOREIGN PATENT DOCUMENTS**

CN	306475166	*	4/2021
CN	307969093	*	4/2023
GB	6187903	*	1/2022

**OTHER PUBLICATIONS**

Spectrum Diversified Store: Over the Door Ironing Board Holder (White)—No-Installation Storage Organizer for Laundry Room, Kitchen, Home, Wardrobe, Closet, & Bedroom / Rubberized Hook Ends for No Damage <https://a.co/d/3ytARBu>, Customer Review: Jul. 22, 2017 (Year: 2017).\*

TJ.Moree: Ironing Board Hanger Wall Mount—Laundry Room Iron and Ironing Board Holder with Large Storage Wooden Base Basket and Removable Hooks(T&V Shaped) <https://a.co/d/2Qh7rd3>, Jul. 4, 2022 (Year: 2022).\*

\* cited by examiner

*Primary Examiner* — Jennifer L Rempfer

*Assistant Examiner* — Bethany Louise Mallino

(74) *Attorney, Agent, or Firm* — Kunzler Bean & Adamson, PC; Alandra Adams

(57) **CLAIM**

The ornamental design for a ironing board holder, as shown and described.

**DESCRIPTION**

FIG. 1 is a front, right and top perspective view of a ironing board holder, showing my design.

FIG. 2 is a rear, left and bottom perspective view thereof.

FIG. 3 is a front elevation view thereof.

FIG. 4 is a rear elevation view thereof.

FIG. 5 is a left side elevation view thereof.

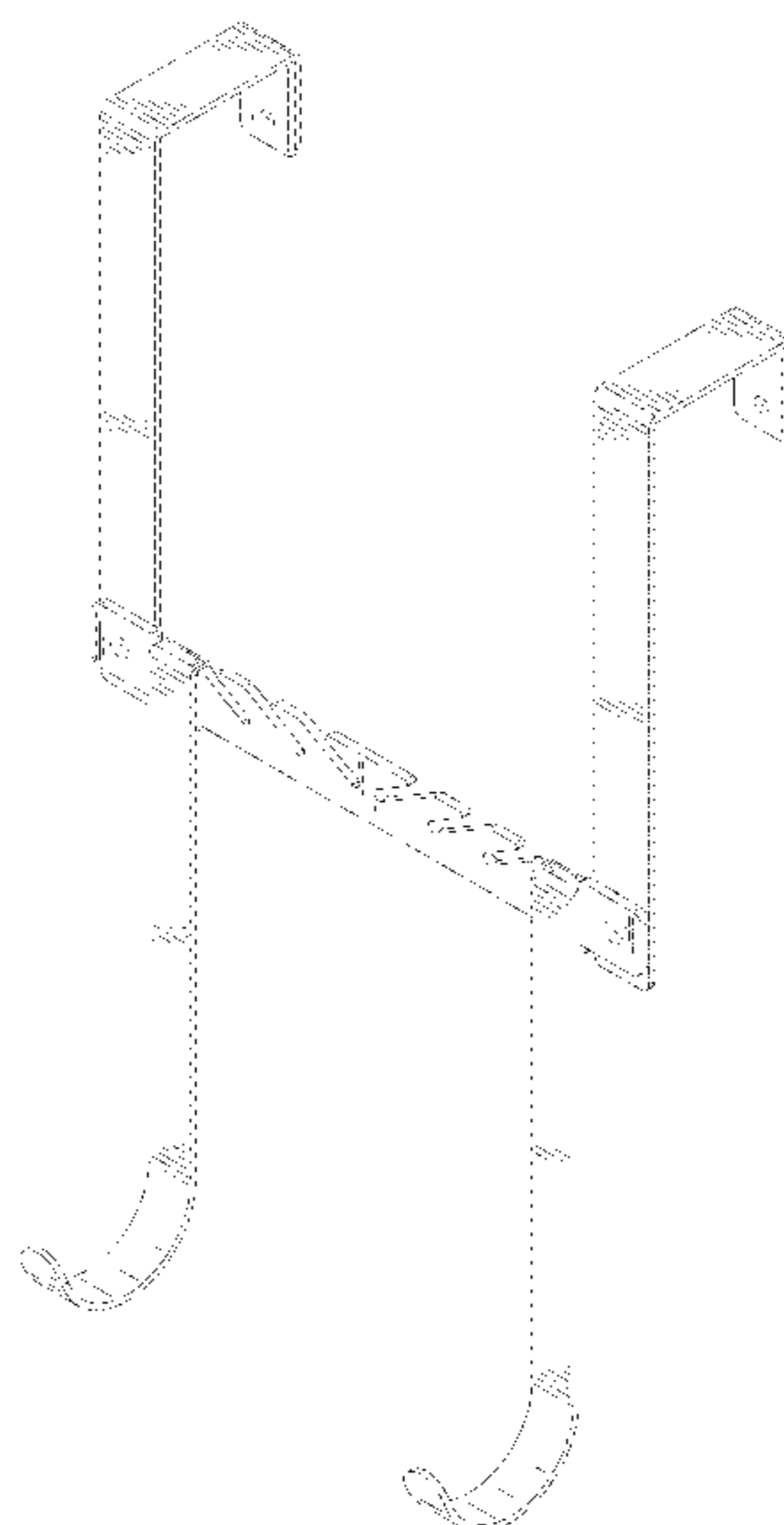
FIG. 6 is a right side elevation view thereof.

FIG. 7 is a top plan view thereof; and,

FIG. 8 is a bottom plan view thereof.

The broken lines depict portions of the ironing board holder that form no part of the claimed design.

**1 Claim, 8 Drawing Sheets**



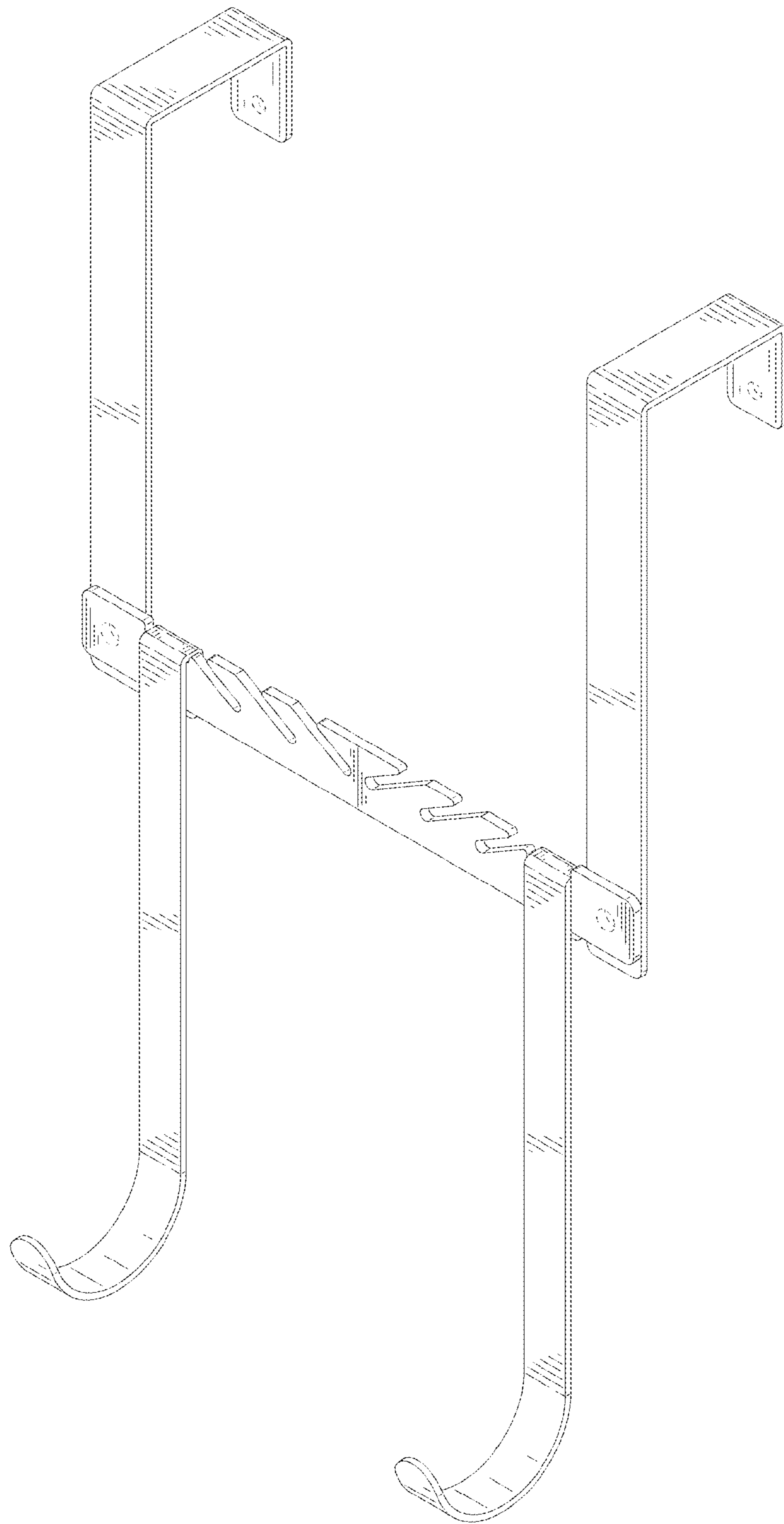


FIG. 1

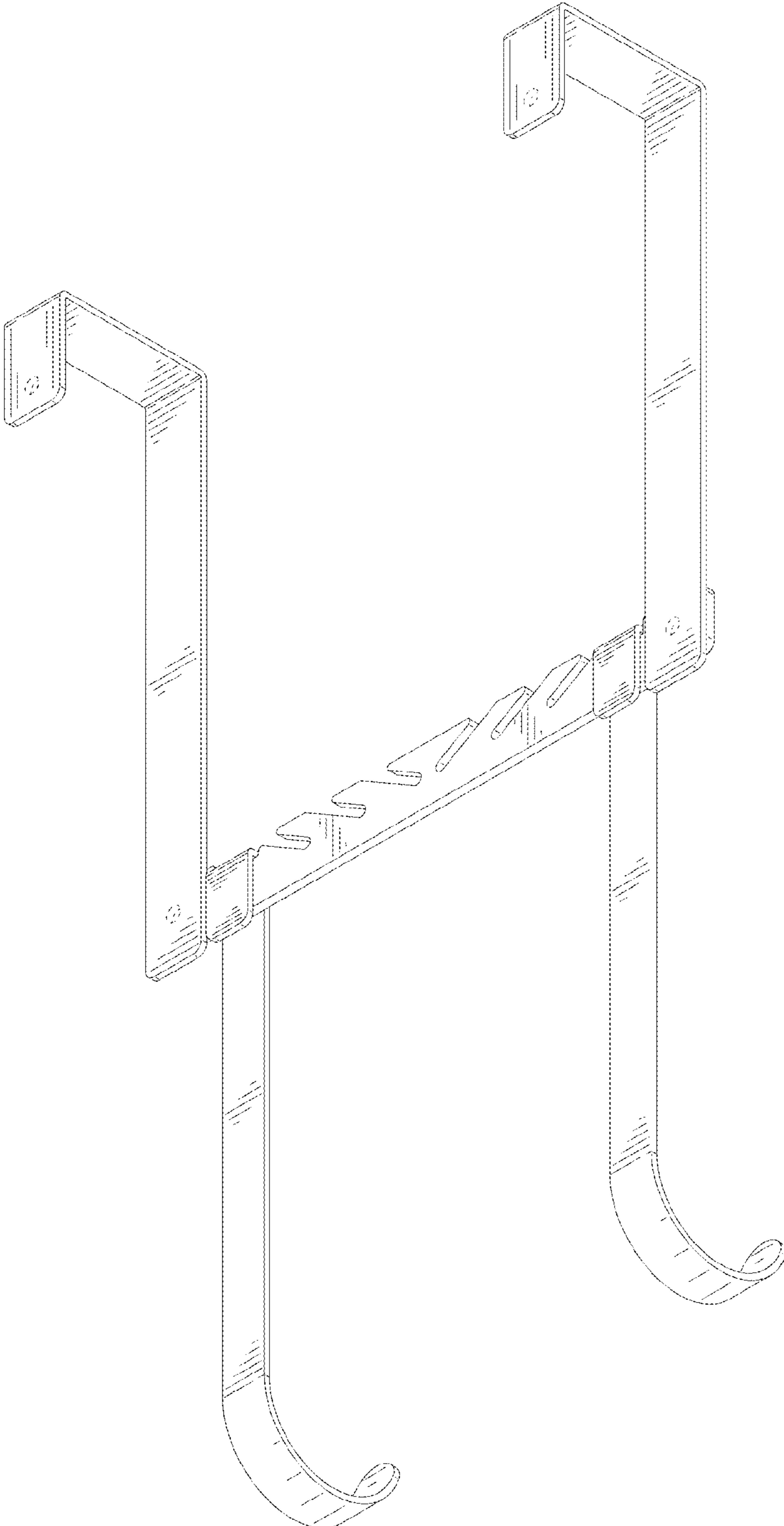


FIG. 2

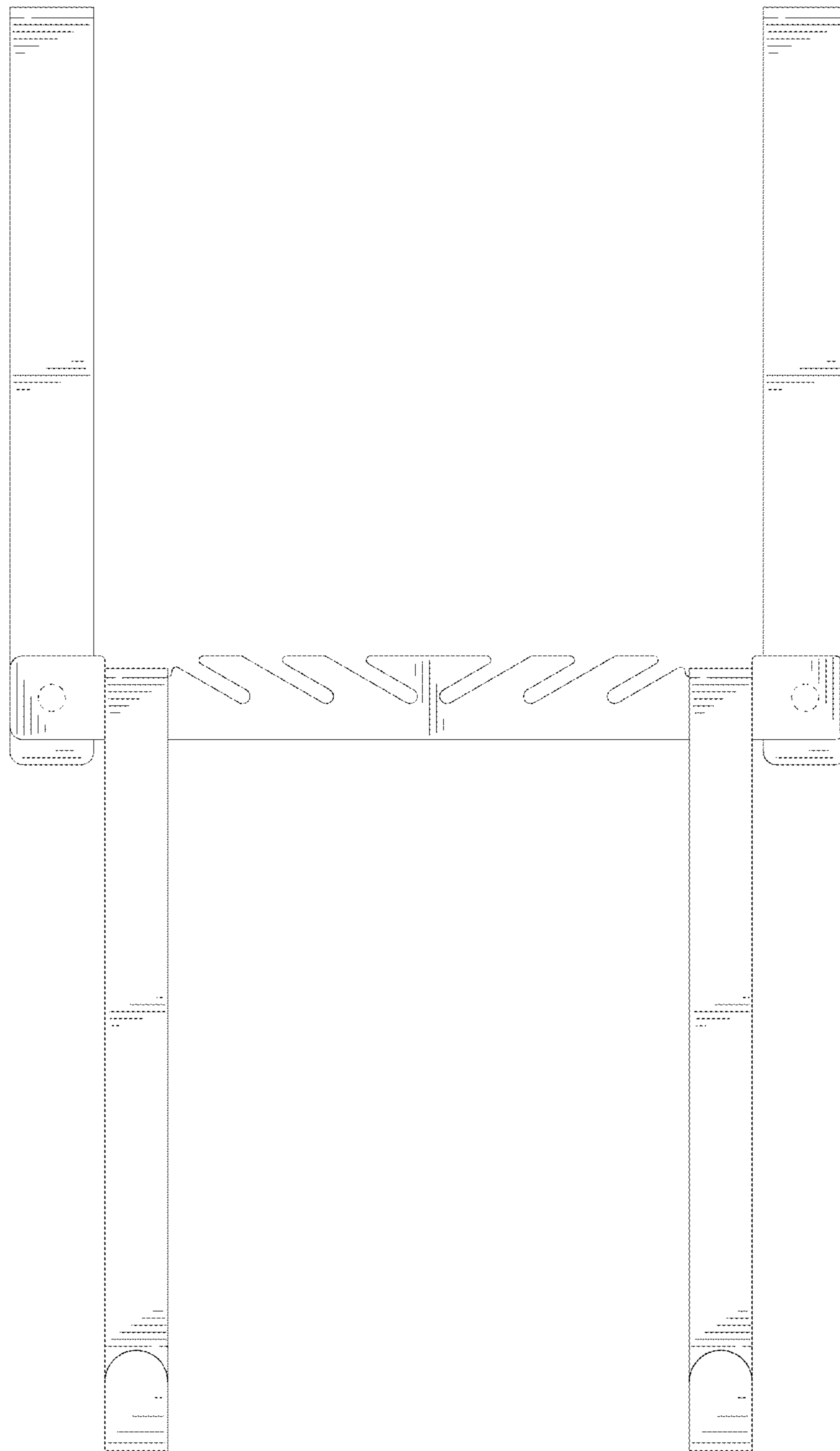


FIG. 3

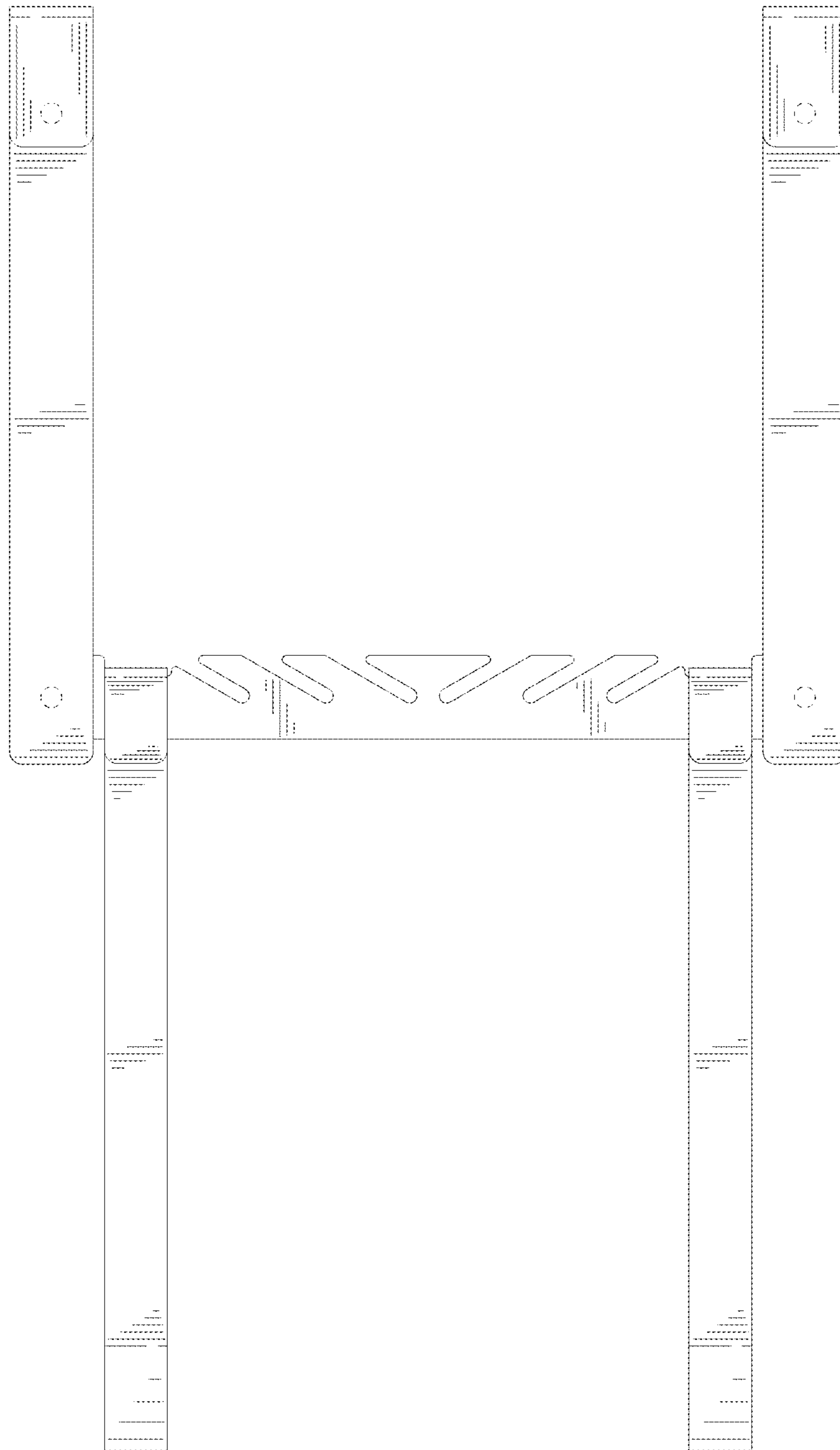


FIG. 4

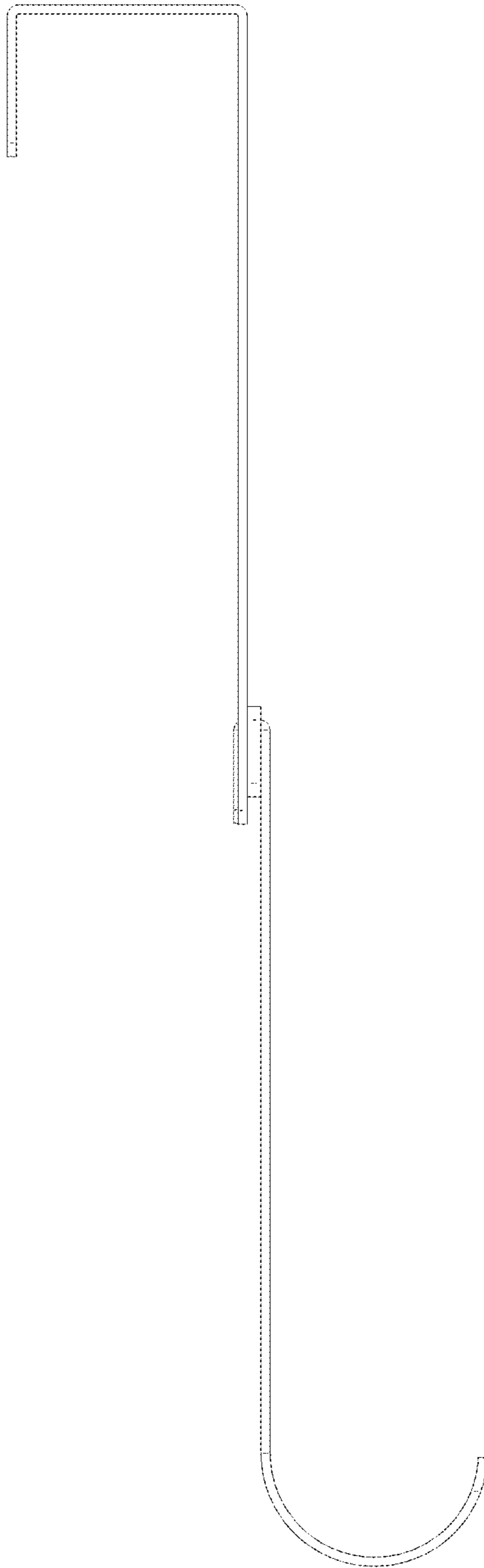


FIG. 5

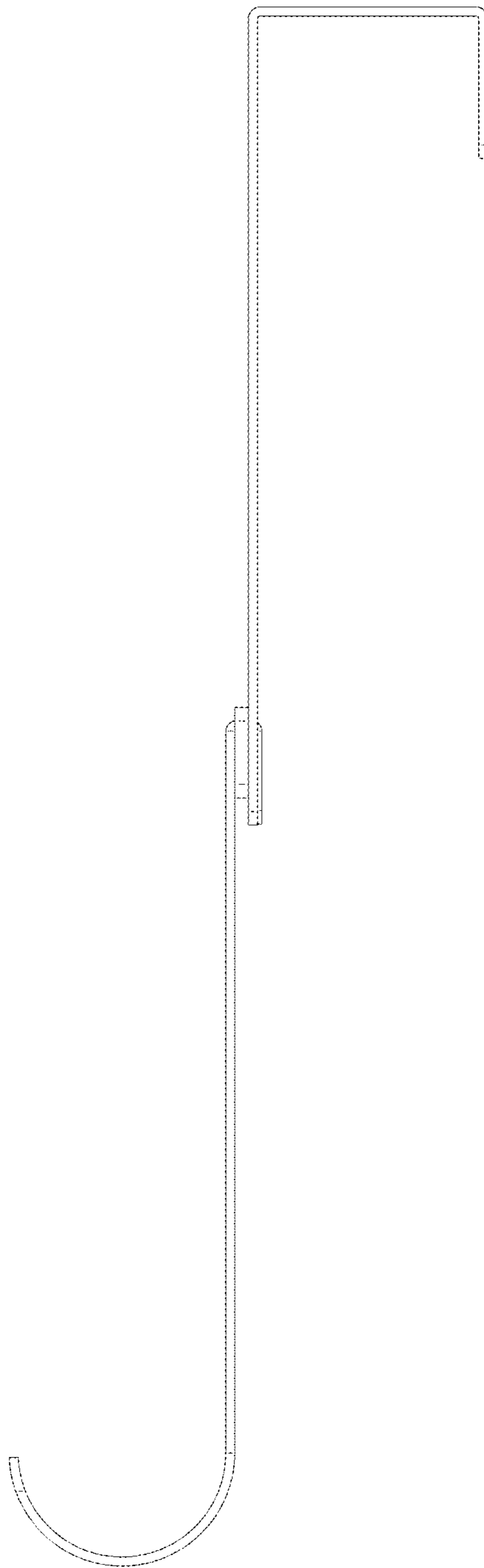


FIG. 6

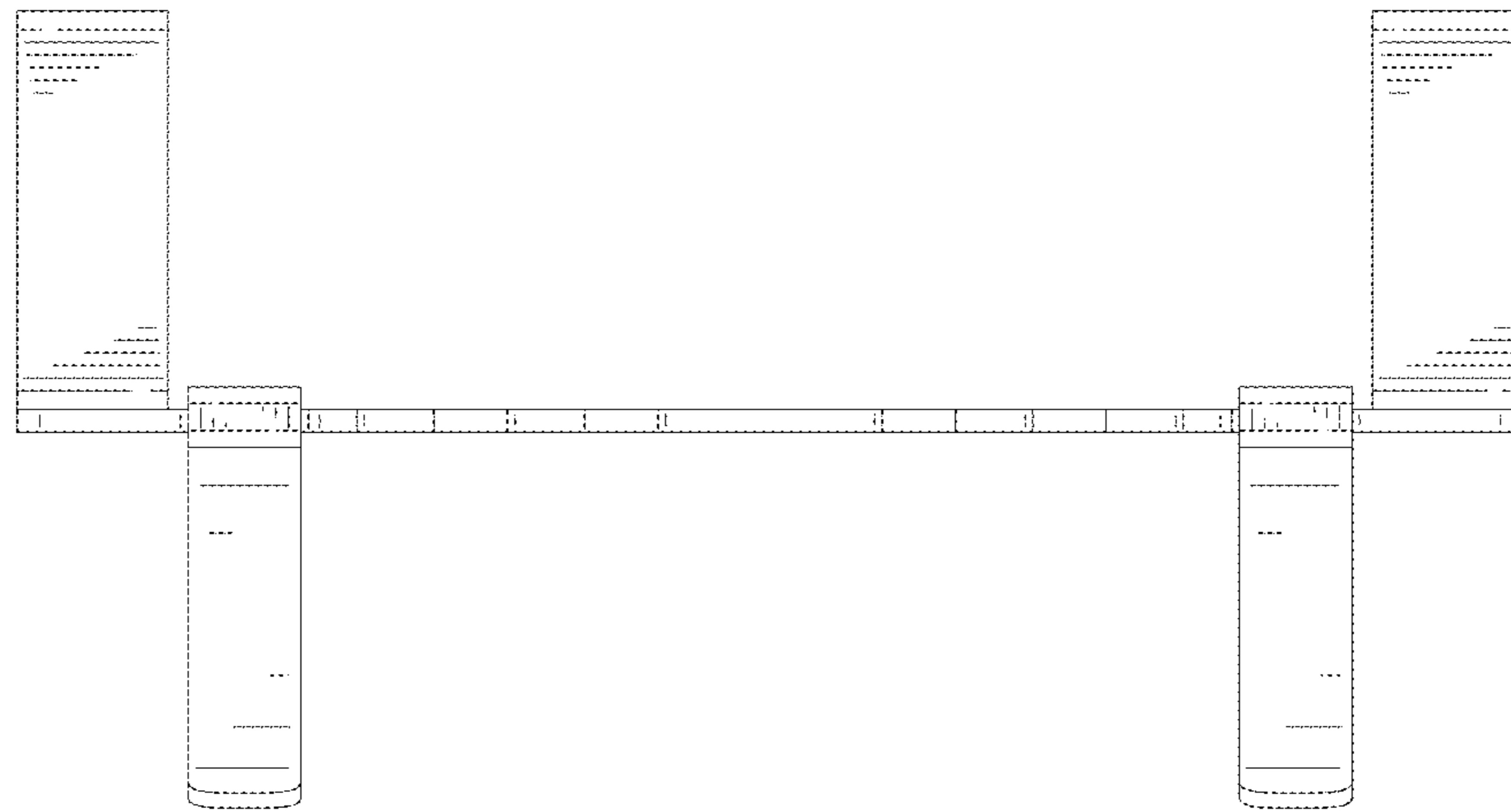


FIG. 7





FIG. 8