

US0D1000031S

(12) **United States Design Patent**
Flowers

(10) **Patent No.:** **US D1,000,031 S**
(45) **Date of Patent:** **** Sep. 26, 2023**

(54) **SHOULDER PAD STORAGE CART**

(71) Applicant: **TNT Sports Equipment**, Mitchell, SD (US)

(72) Inventor: **Thomas D. Flowers**, Mitchell, SD (US)

(73) Assignee: **TNT SPORTS EQUIPMENT**, Mitchell, SD (US)

(**) Term: **15 Years**

(21) Appl. No.: **29/812,651**

(22) Filed: **Oct. 22, 2021**

(51) **LOC (14) Cl.** **12-02**

(52) **U.S. Cl.**
USPC **D34/12**

(58) **Field of Classification Search**
USPC D34/12, 14-17, 19-24, 27; D21/788,
D21/796

CPC A63B 71/0036; A63B 71/12
See application file for complete search history.

(56) **References Cited**

U.S. PATENT DOCUMENTS

3,802,573	A	4/1974	Barnes	
5,377,849	A	1/1995	Martin	
5,634,649	A *	6/1997	Breining B25H 1/04 280/47.35
D530,876	S *	10/2006	Wyse D34/17
D610,770	S *	2/2010	Rossini D34/12
D612,124	S *	3/2010	Rossini D34/12

OTHER PUBLICATIONS

Jaypro, Shoulder Pad Storage Rack, Achillionsports, retrieved on Oct. 22, 2021. Retrieved from the Internet <URL: https://www.achillionsports.com/jaypro-shoulder-pad-storage-rack.html?cmp=googleproducts&kw=jaypro-shoulder-pad-storage-rack&utm_source=bing&utm_medium=cpc&utm_campaign=PLA&scid=scbplpjaypro-shoulder-pad-storage-rack&sc_intid=jaypro-shoulder-pad-storage-rack>.

Blazer, 2-stack Shoulder Pad Rack, Achillionsports, retrieved on Oct. 22, 2021. Retrieved from the Internet <URL: https://www.sportsunlimitedinc.com/blazer-2-stack-shoulder-pad-rack.html?utm_source=adwords&utm_medium=pla&country=US>.

Stackhouse, Shoulder Pad Cart, sportsfacilitiesgroup, retrieved on Oct. 22, 2021. Retrieved from the Internet <URL: <https://sportsfacilitiesgroup.com/store/stackhouse-shoulder-pad-cart>>.

* cited by examiner

Primary Examiner — Cynthia Ramirez

Assistant Examiner — Tamara L Hahn

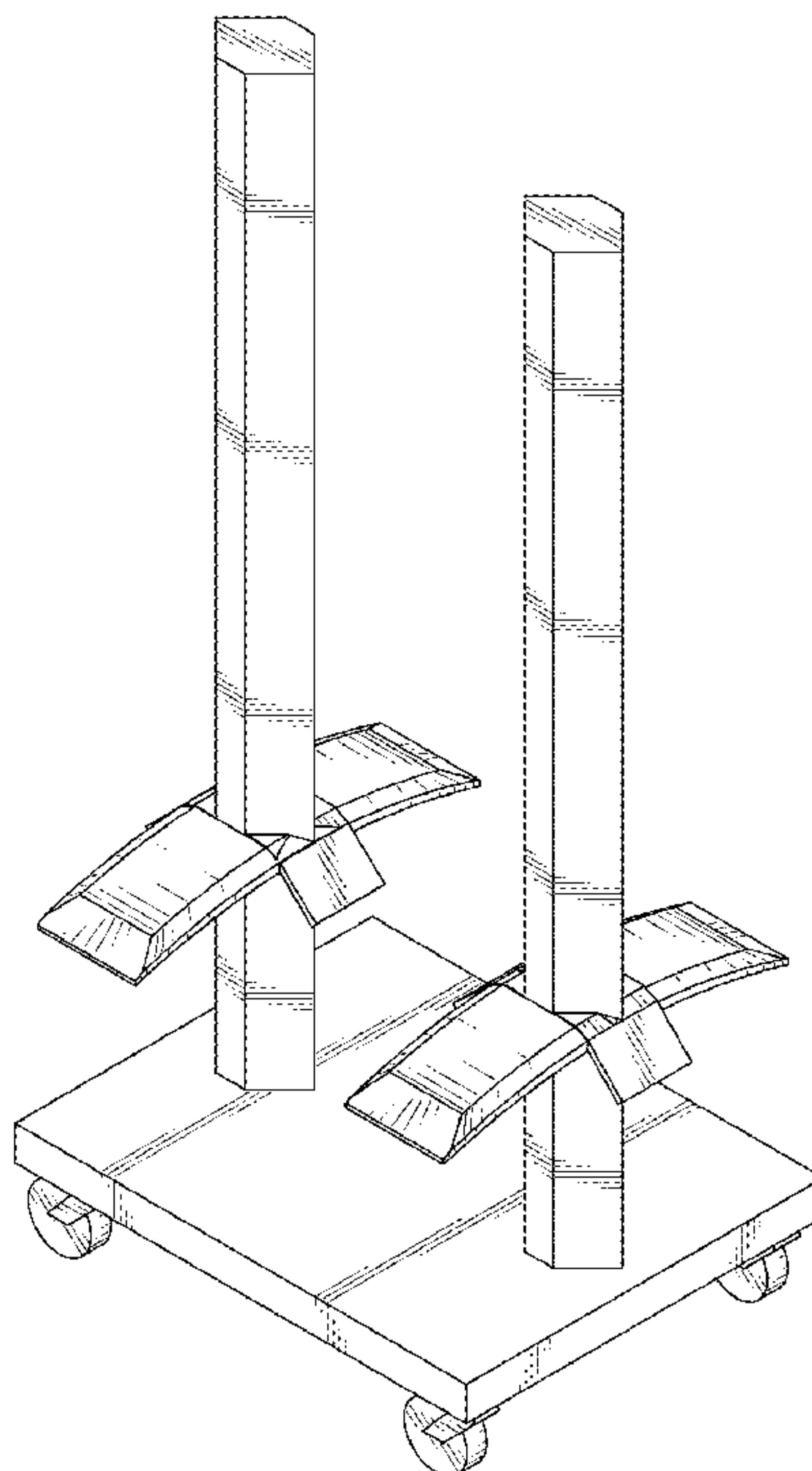
(57) **CLAIM**

The ornamental design for a shoulder pad storage cart, as shown and described.

DESCRIPTION

FIG. 1 is a top front perspective view of a shoulder pad storage cart showing my new design; FIG. 2 is a bottom rear perspective view thereof; FIG. 3 is a front elevational view thereof; FIG. 4 is a rear elevational view thereof; FIG. 5 is a right elevational view thereof; FIG. 6 is a left elevational plan view thereof; FIG. 7 is a top plan view thereof; and, FIG. 8 is a bottom plan view thereof.

1 Claim, 8 Drawing Sheets



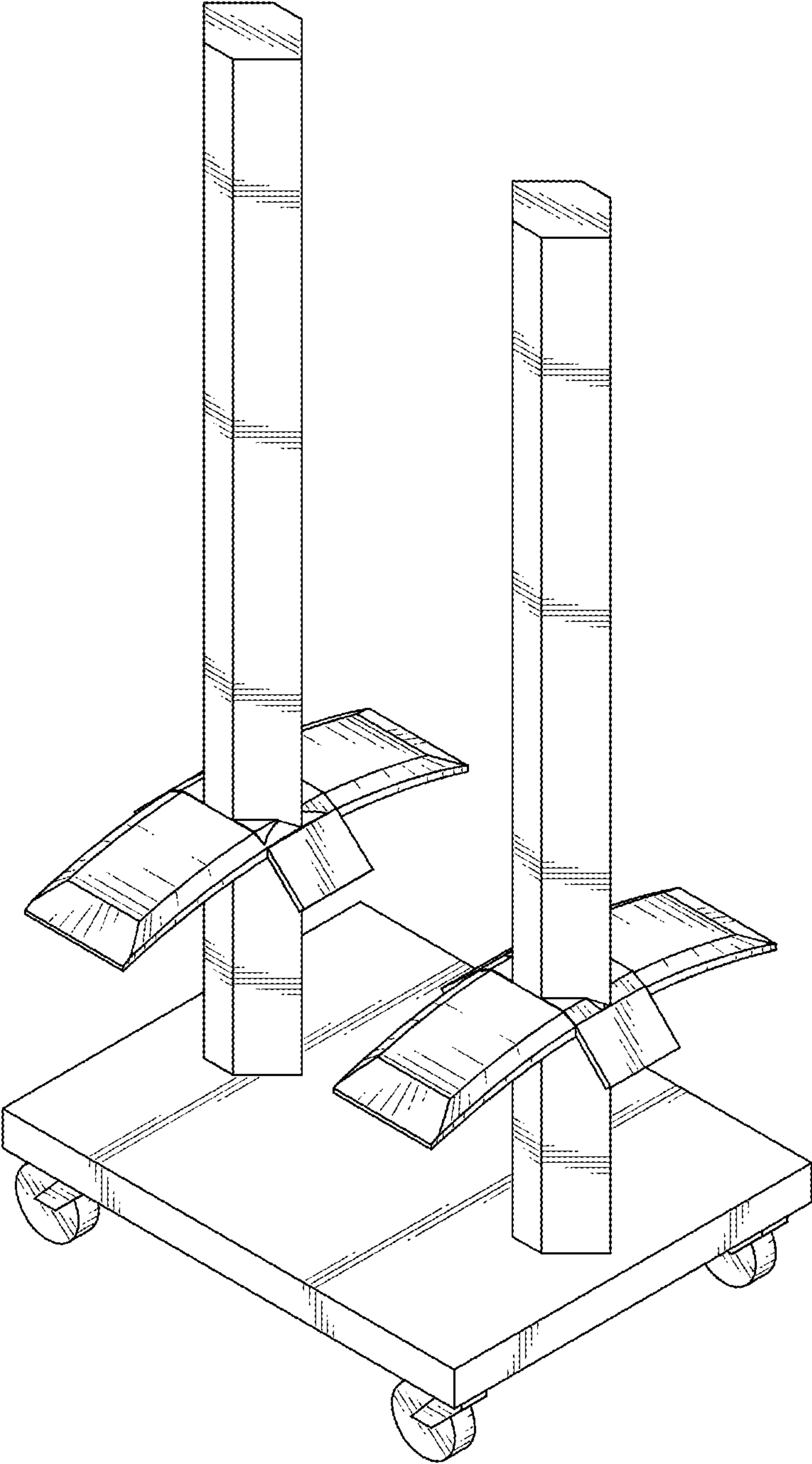


FIG. 1

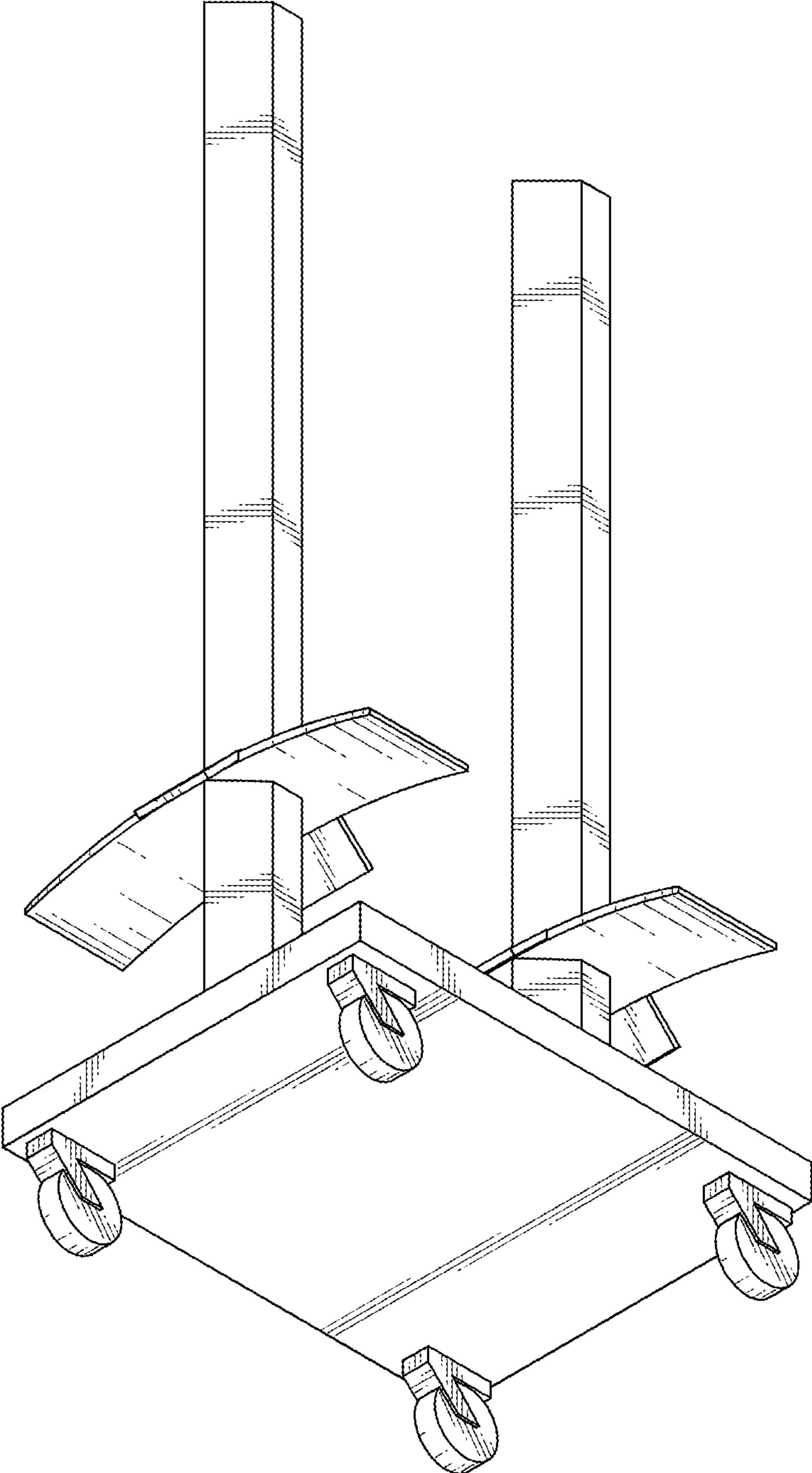


FIG. 2

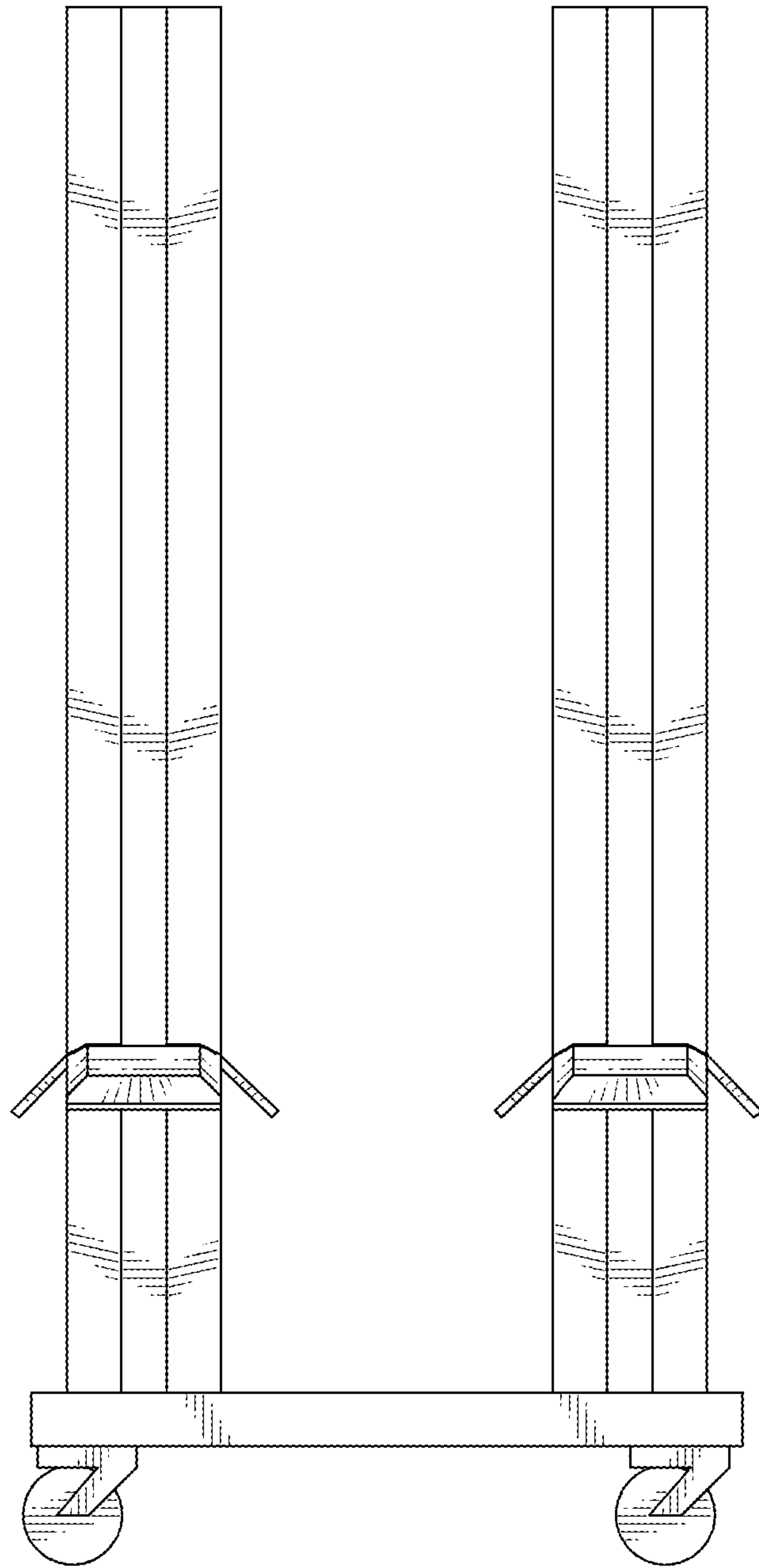


FIG. 3

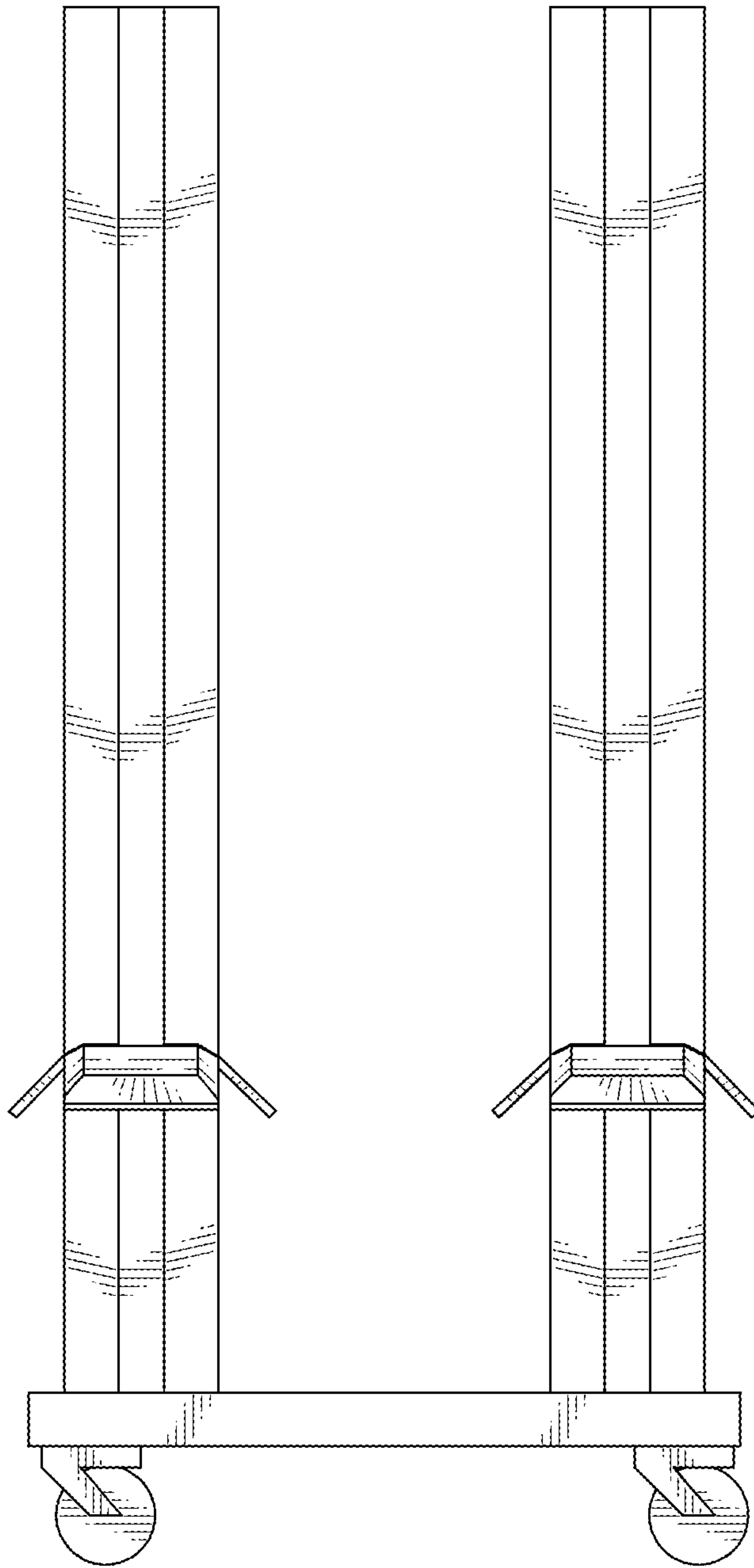


FIG. 4

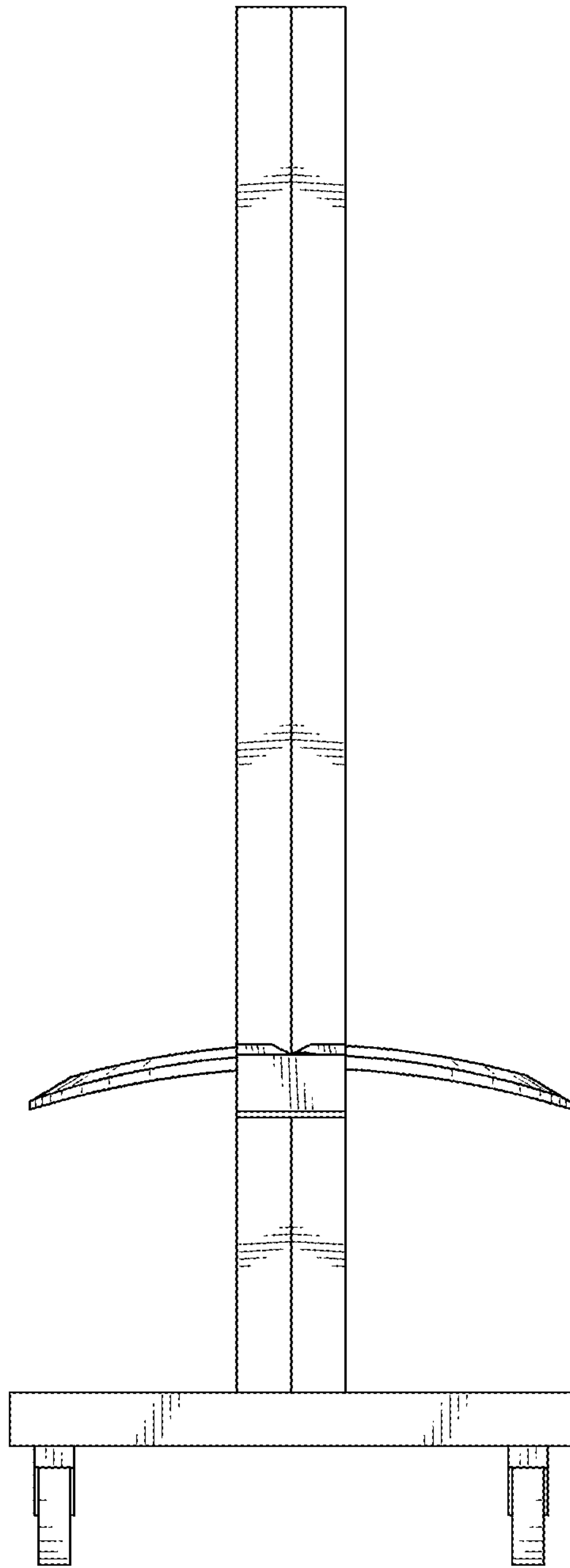


FIG. 5

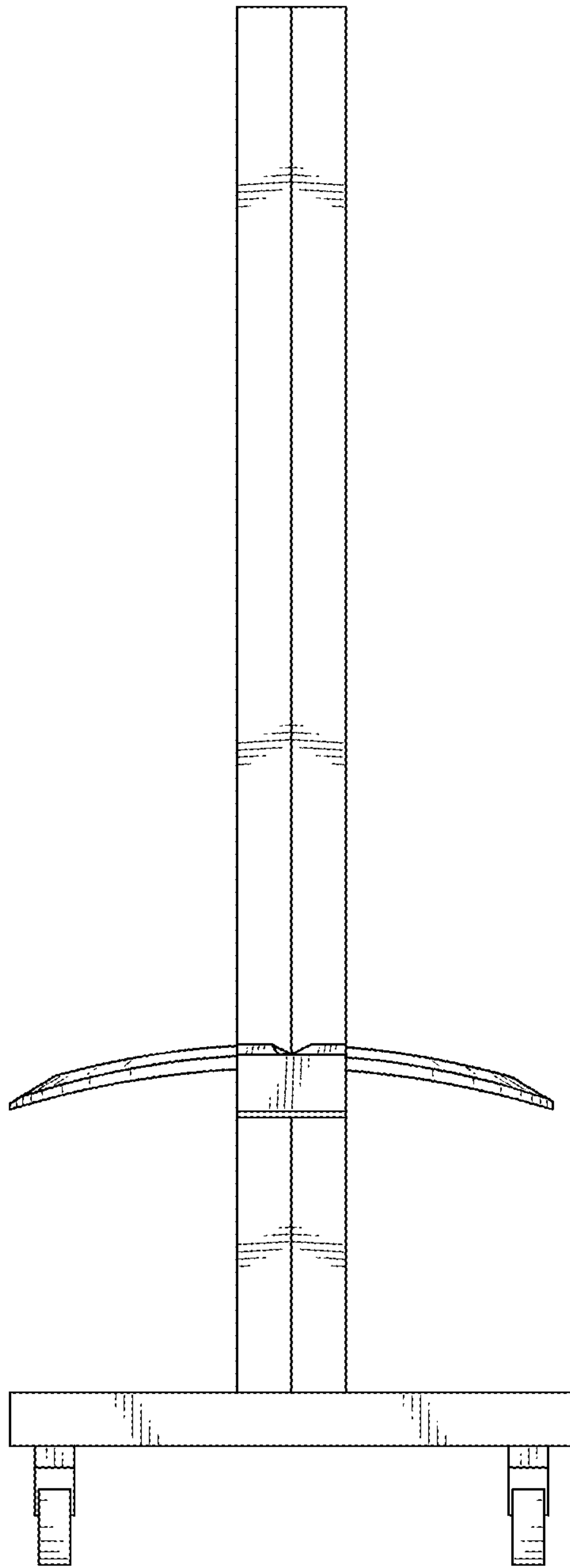


FIG. 6

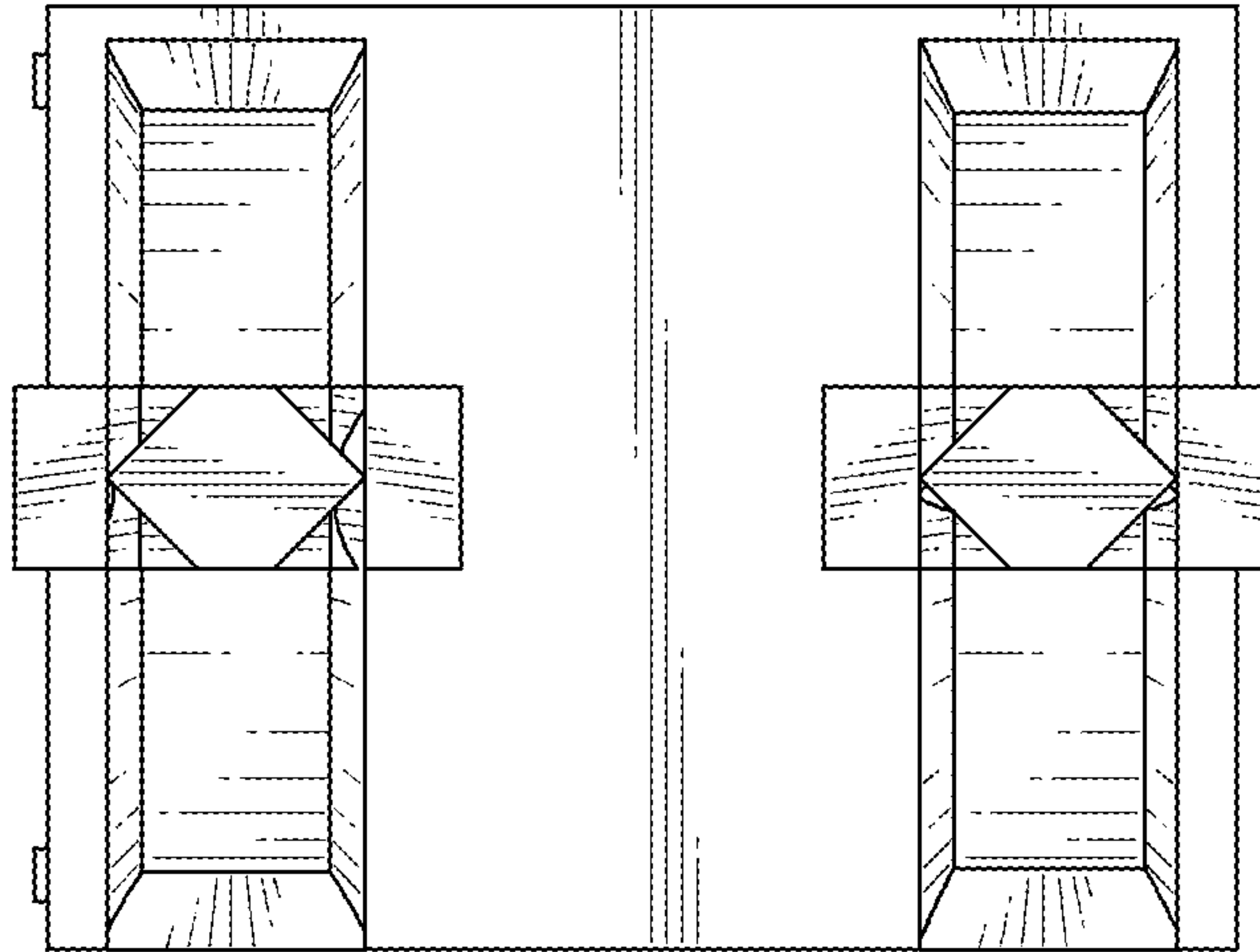


FIG. 7

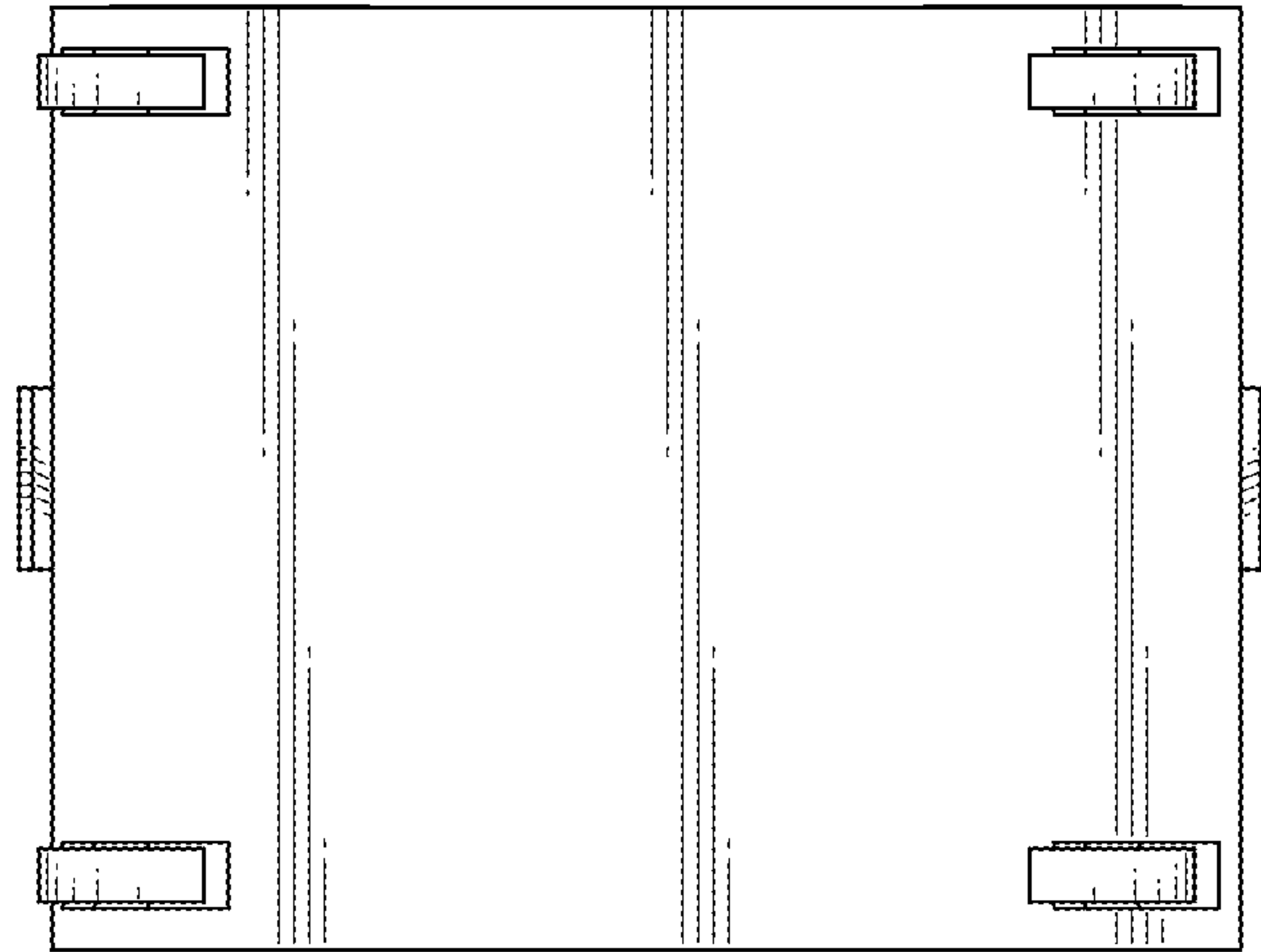


FIG. 8