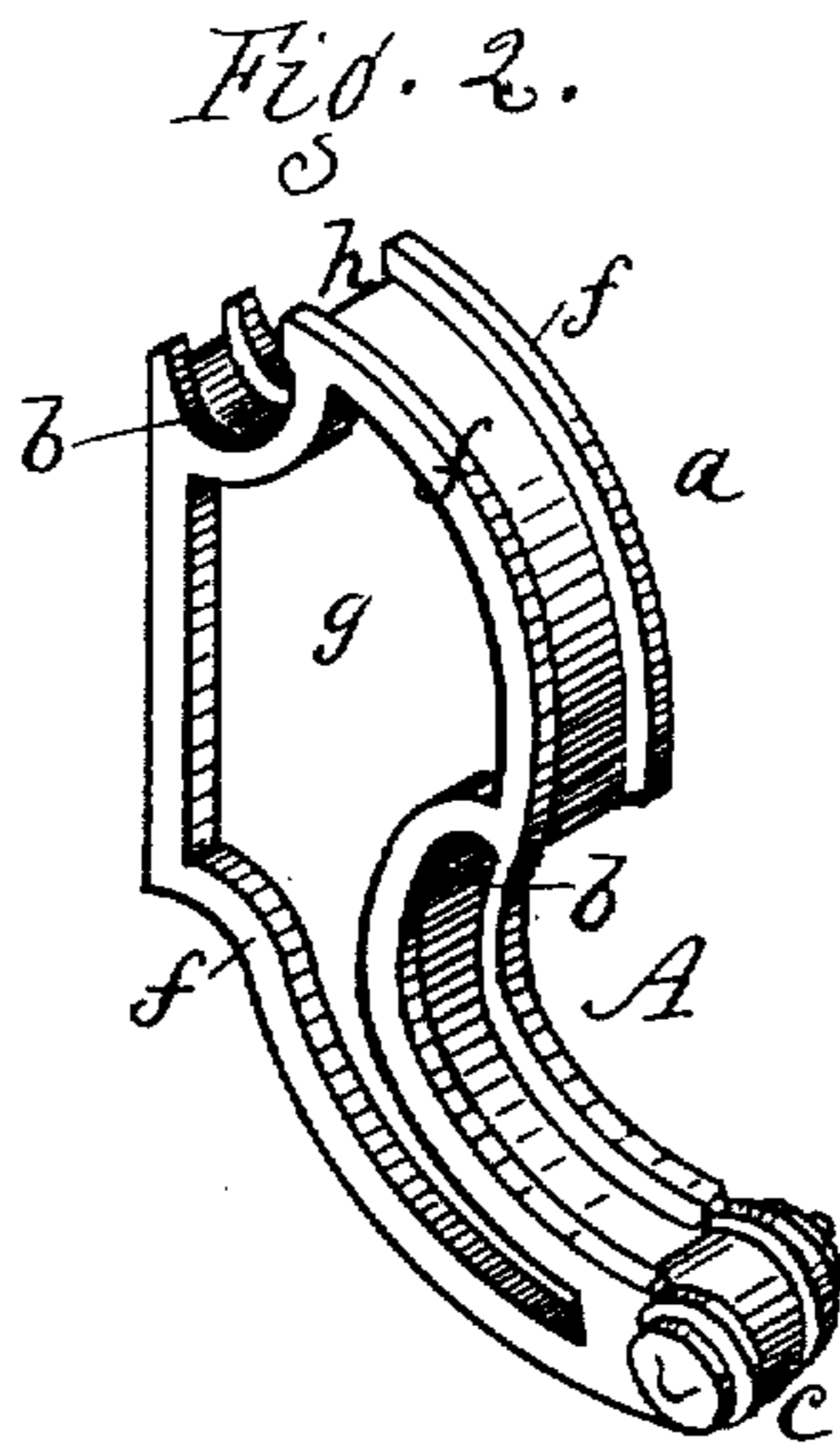
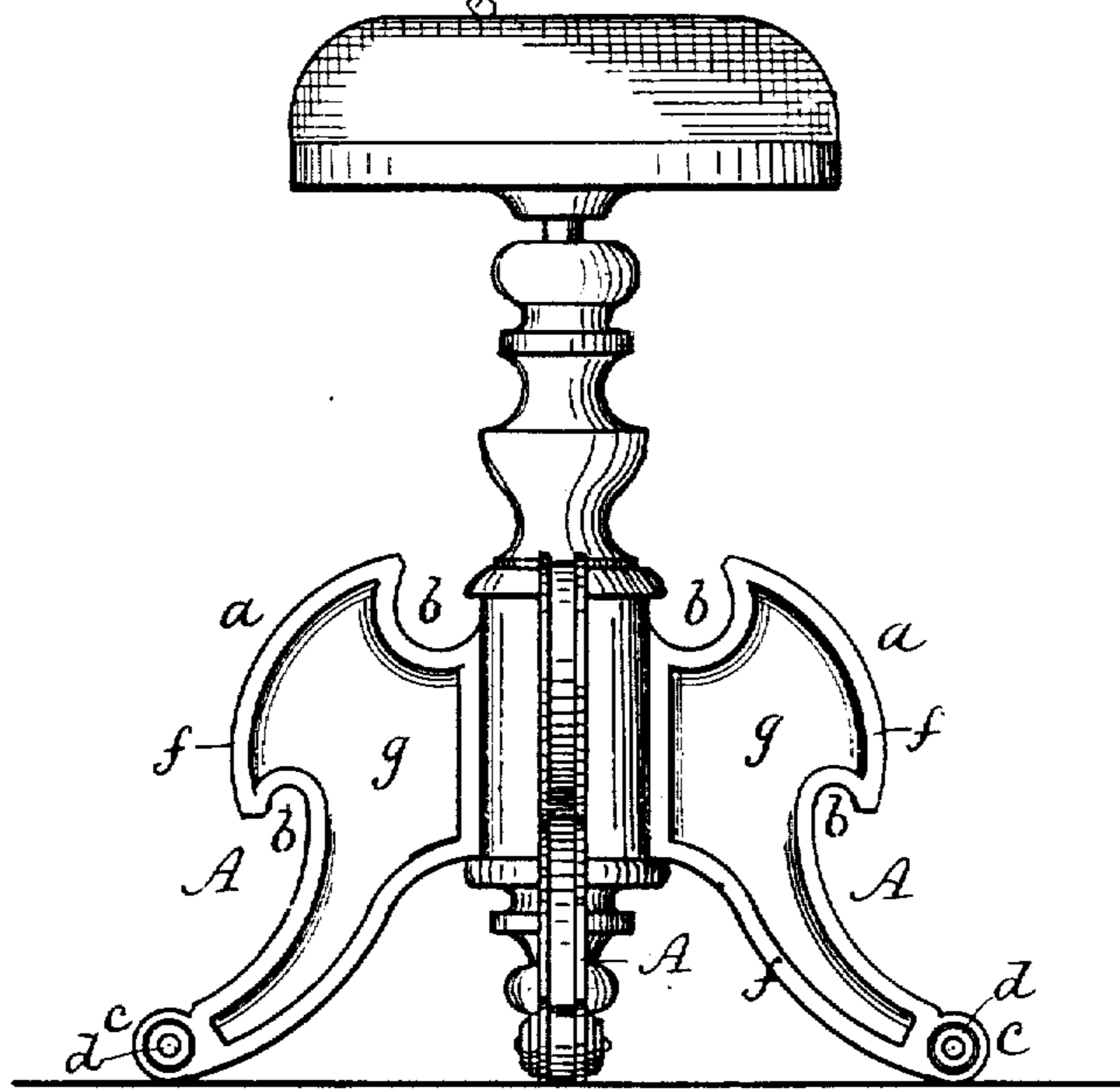


DESIGN.

G. W. ARCHER.  
Piano-Stool Legs.

No. 10,705.

Patented June 4, 1878.



Attest.  
*John C. Curran,*  
*R. E. White*

Inventor.  
*Geo. W. Archer,*  
*per R. F. Osgood*  
*Atty.*

# UNITED STATES PATENT OFFICE.

GEORGE W. ARCHER, OF ROCHESTER, NEW YORK.

## DESIGN FOR PIANO-STOOL LEGS.

Specification forming part of Design No. **10,705**, dated June 4, 1878; application filed May 11, 1878.  
[Term of patent 7 years.]

*To all whom it may concern:*

Be it known that I, GEORGE W. ARCHER, of the city of Rochester, county of Monroe, and State of New York, have invented or produced a new and original Design for Piano-Stool Legs; and I do hereby declare that the following is a full, clear, and exact description of the same, reference being had to the accompanying drawing, in which—

Figure 1 is an elevation of a piano-stool, showing my improvement. Fig. 2 is a perspective view of one of the legs.

My design relates to the legs of the stool; and consists of the peculiar conformation of the same, as hereinafter described.

A A A represent the several legs of the stool. Each of these legs has a curved segment, *a*, forming its upper and outer portion. This is a segment of a true circle. Above and below this are small reverse curves *b b*, forming cavities. The lower portion is in the regular form of a leg, but at the bottom has a foot, *c*, which is a circle, on the sides of which are

ornamental bosses *d d*. The two sides of the leg have raised flanges or ribs *f f*, which project both longitudinally and laterally, as shown, leaving thereby sunken panels *g g* on the sides and a sunken rim, *h*, on the edge.

The curved segment, with its reverse scallops, and the projecting ribs, with the sunken panels and rim, constitute my new design, and present a pleasing appearance to the eye.

What I claim as new is—

The design for piano-stool legs, consisting of the curved segment *a*, with reverse curves *b b*, the projecting ribs or flanges *f f*, and the sunken panels *g g* and rim *h*, as herein shown and described.

In witness whereof I have hereunto signed my name in the presence of two subscribing witnesses.

GEO. W. ARCHER.

Witnesses:

R. F. OSGOOD,  
R. E. WHITE.