

C.C. Cole,

Portable Fence,

No. 8,555.

Patented Dec. 2, 1851.

Fig. 2.

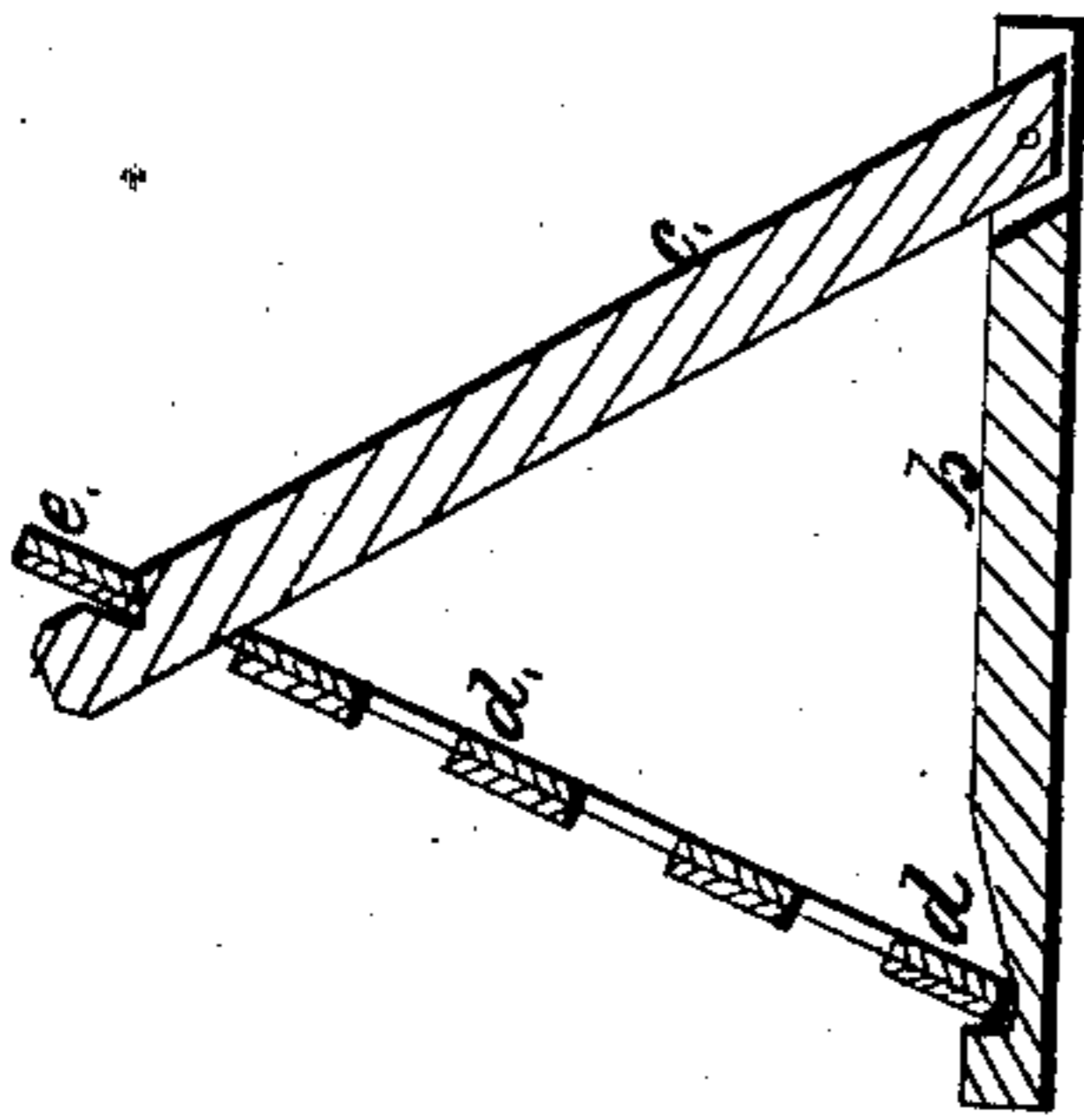
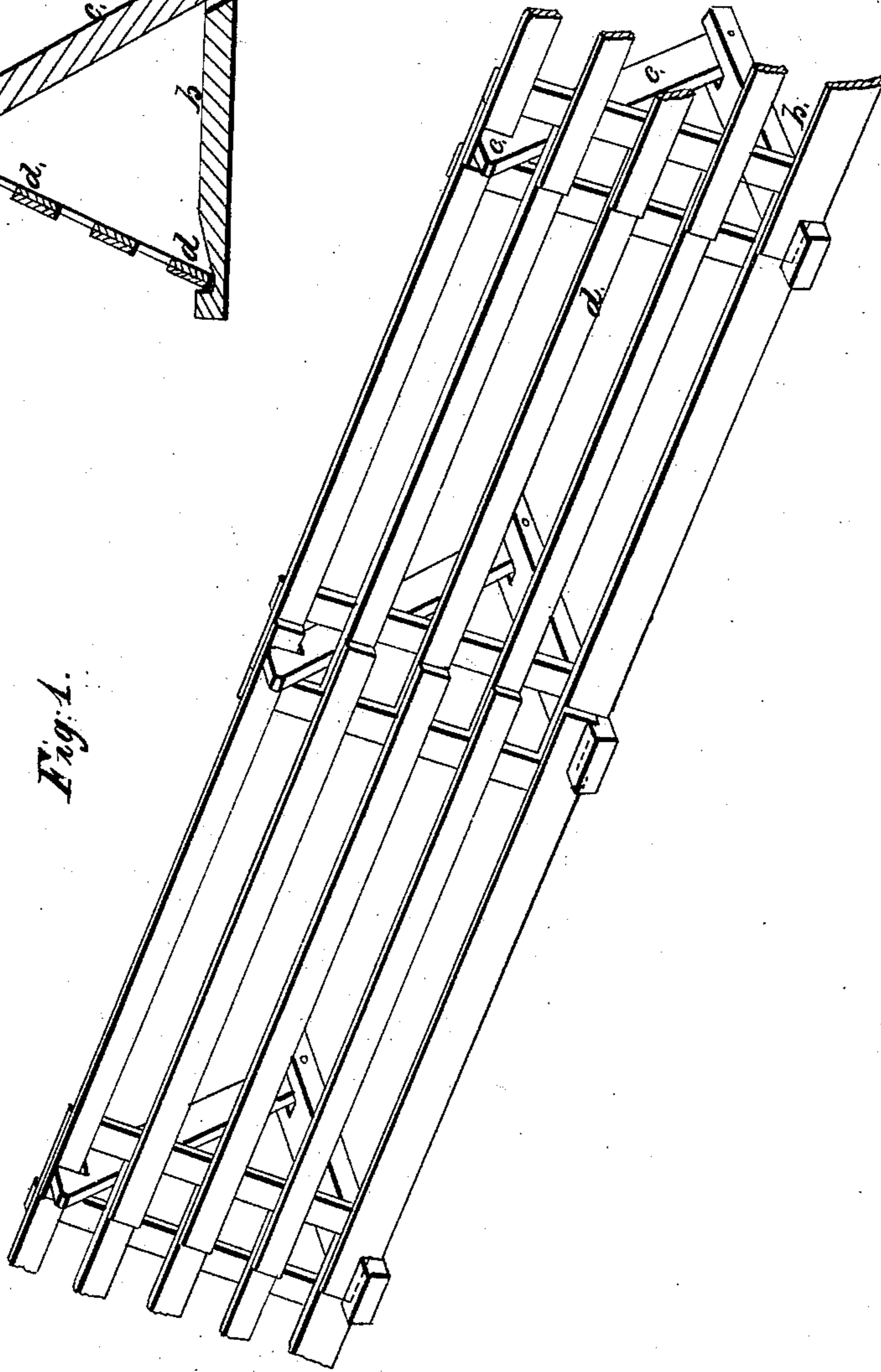


Fig. 1.



# UNITED STATES PATENT OFFICE.

CYRUS C. COLE, OF RUSHVILLE, NEW YORK.

## HURDLE-FENCE.

Specification of Letters Patent No. 8,555, dated December 2, 1851.

*To all whom it may concern:*

Be it known that I, CYRUS C. COLE, of Rushville, in the county of Ontario and State of New York, have invented an Improved Hurdle-Fence, and that the following is a full, clear, and exact description of the principle or character which distinguishes it from all other things before known and of the usual manner of making, modifying, and using the same, reference being had to the accompanying drawing, making a part of this specification.

My improvement is upon the inclined or perpendicular fence, and consists in the mode of sitting it up, and connecting the brace-pieces therewith.

To construct this fence I form panels of ten or twelve feet, according to the length of the boards, and by placing four or five strips parallel, and nailing cross strips to them, at right angles, the panel (*a*) is made; the brace pieces consist of a strip of scantling (*b*) which rests upon the top of the ground, and has firmly affixed to one end of it, a brace (*c*), that extends up in an inclined position over the ground sill (*b*); at the

front end of the sill, opposite where the brace is fixed, there is a notch (*d*), into which the lower edge of the panel rests, and another notch (*e*) in the upper end of the brace locks in between the upper and second horizontal strip of the panel and the whole is compactly fastened; the second panel overlaps the first, as shown in the drawing, and so the fence is continued, there being a brace at each junction of the panels. It will readily be seen that by this means a cheap and durable fence can be produced, any panel of which can be removed for a gate, and the whole can be taken up and housed, if need be, in winter.

Having thus fully described my improved fence, what I claim therein, and desire to secure by Letters Patent, is—

The method of locking and supporting the same by means of the notched sills and lock braces, as herein described.

CYRUS C. COLE.

Witnesses:

HIRAM MILLARD,  
HIRAM BROWN.